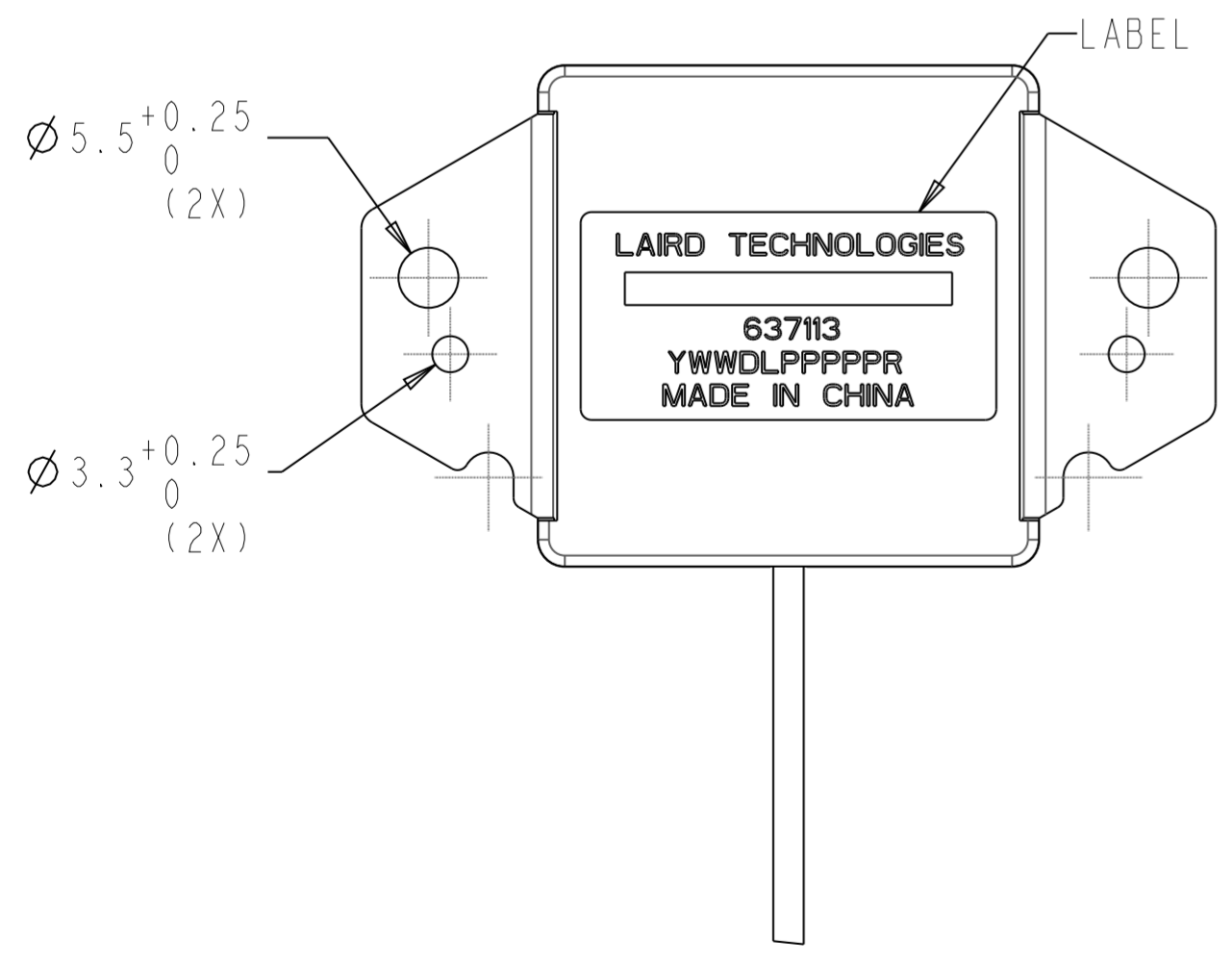
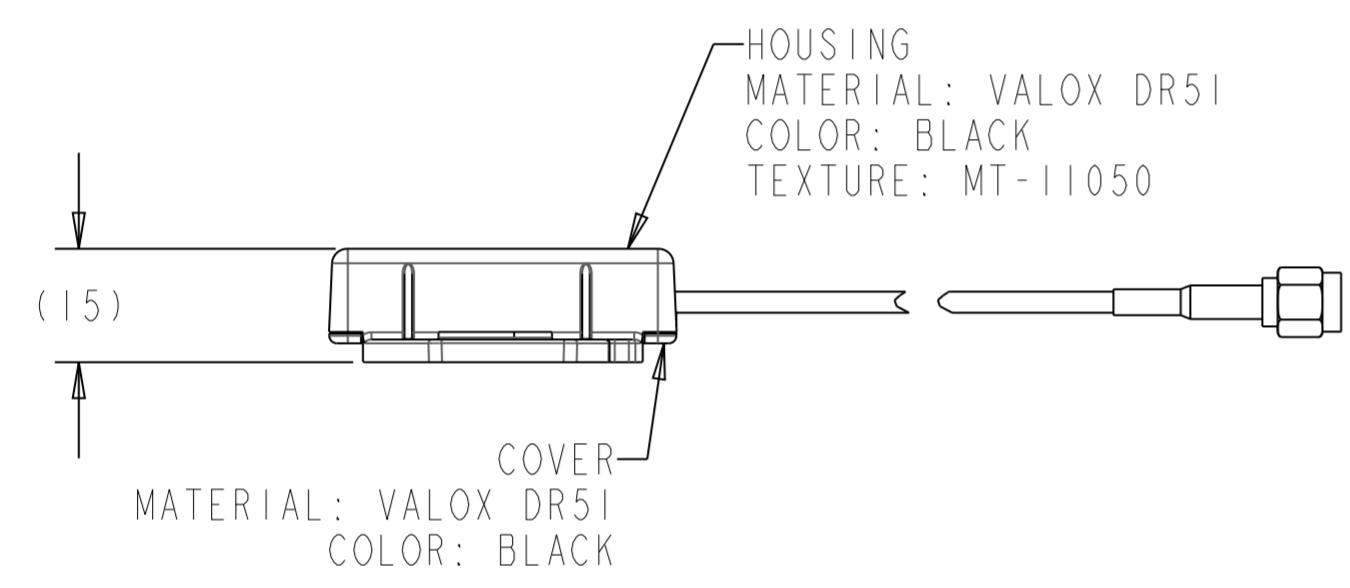
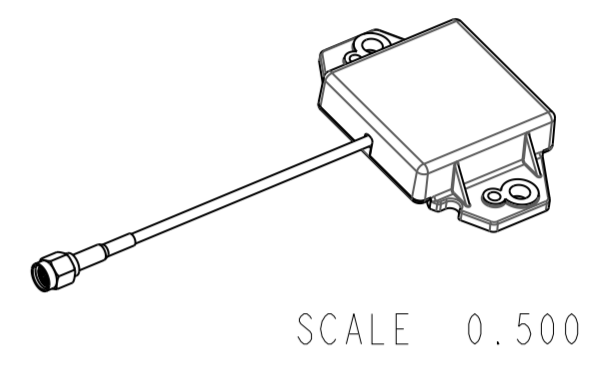
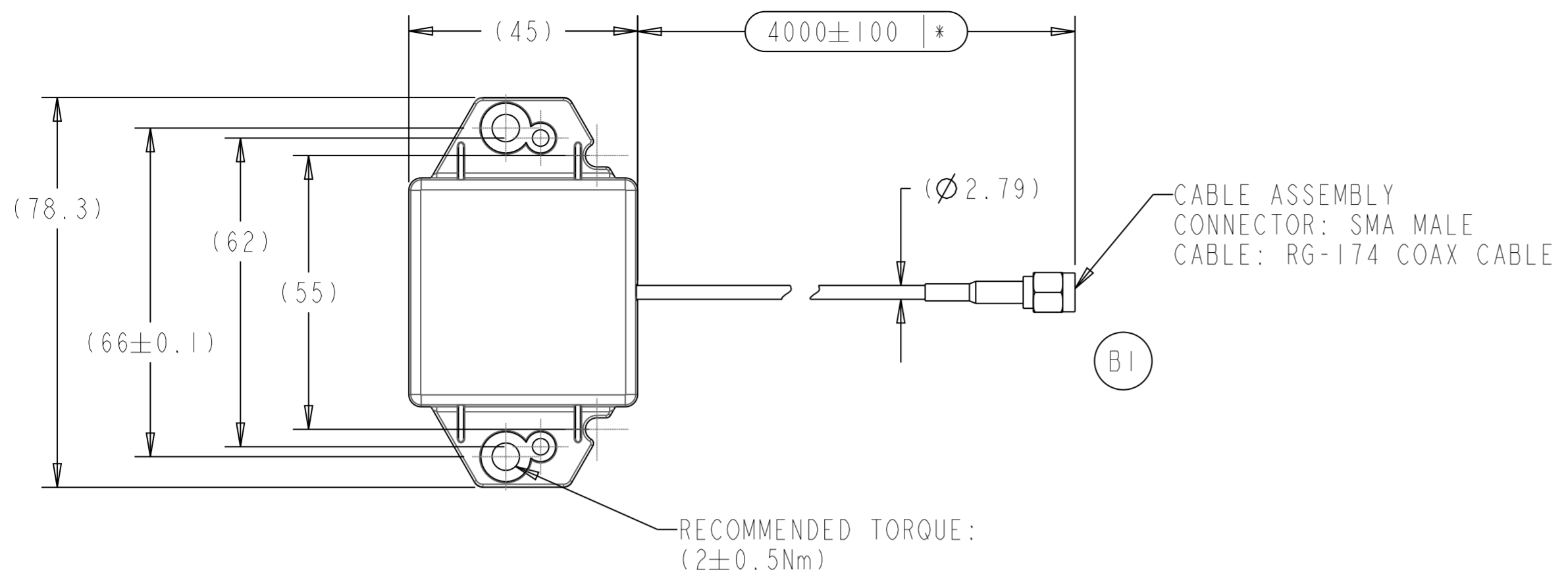
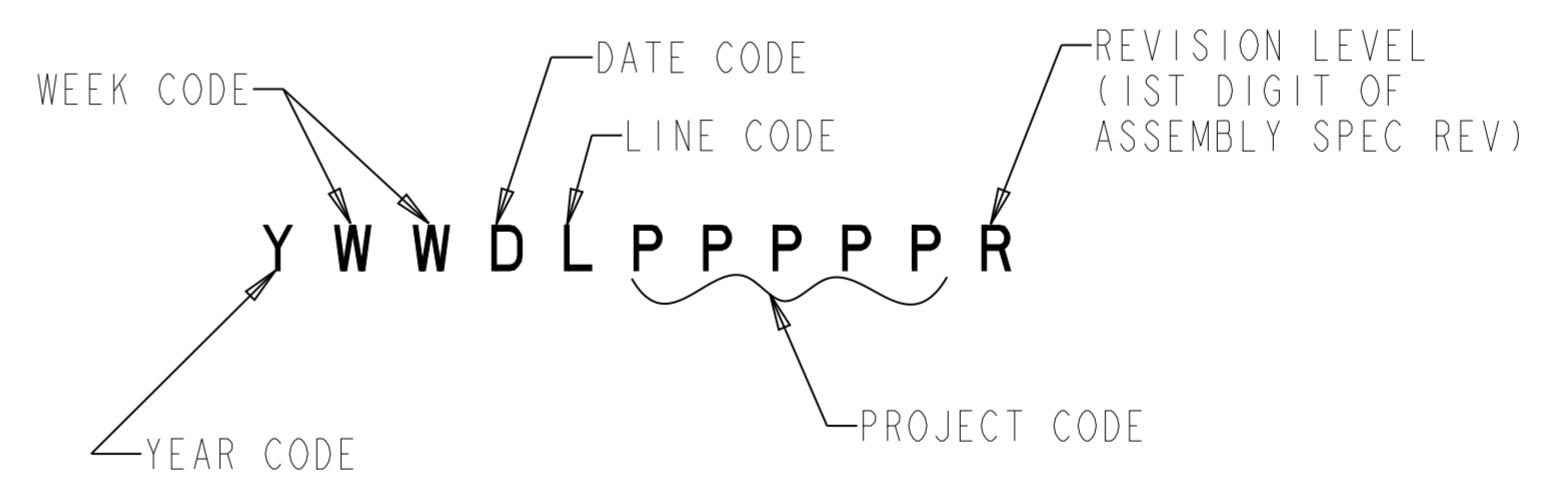


REV	DESCRIPTION	REL.#	DATE	ENG
A0	RELEASE FOR PRODUCTION	R7520	27/SEP/10	TA
B0	LABEL CORRECTED	C008062	08/OCT/10	TA
B1	CONNECTOR PN CORRECTED ON CABLE ASSEMBLY DRAWING	C009281	12/MAY/11	JK



DATE CODE FORMAT



- GENERAL NOTES:
- VSWR: 2.4-2.485GHz <2:1
 - VSWR BANDWIDTH > 102MHz, <2:1
 - DC RESISTANCE: 10 Kohm ± 5%
 - BAR CODE TO CONTAIN DATE CODE
 - BAR CODE MUST BE ABLE TO BE READ BY A STANDARD LASER OR INFRARED BAR CODE READER.
 - ROHS COMPLIANT
 - IP52 RATED

BOTTOM
SCALE 1.500

GENERAL TOLERANCES UNLESS NOTED		CONTROL DIMENSIONS MARKED WITH MUST BE TRACKED USING SPC. A CPK >= 1.67 IS REQUIRED		DESCRIPTION: 2.4GHz WiFi ANTENNA		ALL DIMENSIONS IN MILLIMETERS	
TOLERANCES ACCORDING TO DIN-ISO 2768 m ALL DIMENSIONS mm.		PPAP SUBMITAL REQUIRED WHEN RELEASED FOR MASS PRODUCTION		MATERIAL: SEE DETAIL		PRO-E WILDFIRE	
LINEAR: FROM 0.5 TO 6.0 ±0.1 OVER 6.0 TO 30.0 ±0.2 OVER 30.0 TO 120.0 ±0.3 OVER 120.0 TO 400.0 ±0.5 OVER 400.0 TO 1000.0 ±0.8 ANGULAR: ±1°		MATERIALS FREE OF CADMIUM / ASBESTOS		DRAWN: T. ALLEN		DATE: 27/SEP/10	
DATUM INDICATING SYMBOL LOCATION CONCENTRICITY FLATNESS		PERPENDICULARITY ANGULARITY RUNOUT (T.I.R.) PARALLELISM		CHECKED: J. KOWALEWICZ		DATE: 27/SEP/10	
THIRD ANGLE PROJECTION		DRAWING: LAIRD TECHNOLOGIES		DRAWING: 637113		SIZE: A2	
		REFERENCE P/N: N/A		PLOT DATE: 27/SEP/10		WEIGHT: g N/A	
				SCALE: 1.0 : 1		SHEET: 1 / 1	