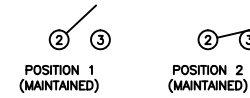


SCHEMATIC



SPECIFICATIONS

FUNCTION:
1P1T OFF-ON

RATINGS:
ANSI/UL 1054 and CAN/CSA C22.2 No. 55 (E194579):
16A 125VAC [cURus]

EN 61058-1:2002/VDE 0630-1: (40017068):
10(6)A 250V~ 1E4 T85 [ENEC10, VDE]
6(4)A 250V~ 5E4 T85 [ENEC10, VDE]

CONTACT RESISTANCE:
Initial: 30mΩ Max. at 50VAC

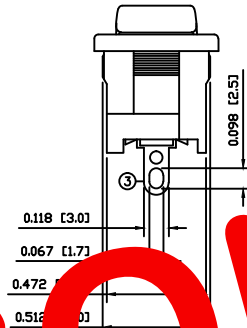
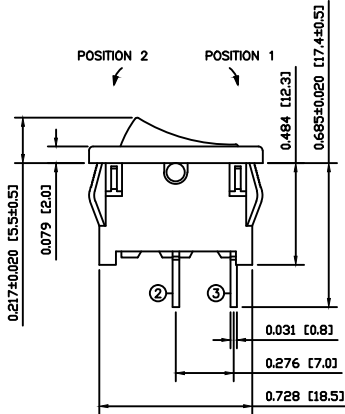
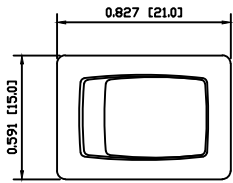
INSULATION RESISTANCE:
500MΩ Min. at 500VDC

DIELECTRIC STRENGTH:
1,000VAC For 1 Minute

ELECTRICAL LIFE:
6,000 Cycles [cURus]
10,000 Cycles [ENEC10, VDE: 10(6)A 250V~]
50,000 Cycles [ENEC10, VDE: 6(4)A 250V~]

TEMPERATURE:
Operating: -20°C to 55°C [cURus]
Operating: -20°C to 85°C [ENEC10, VDE]

APPROVALS:



COLORS AND MARKINGS

BODY:
Black

ACTUATOR:
Black

MARKING:
None

MARKING COLOR:
None

MATERIALS

BODY:
Polyamide 6/6 (PA66), UL94 V-2

ACTUATOR:
Polyamide 6/6 (PA66), UL94 V-2

SPRING:
Steel

PLUNGER:
Polyamide 6/6 (PA66), UL94 V-2

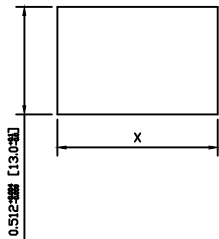
MOBILE CONTACT:
Silver Plated Copper

CONTACTS:
Silver Alloy Over Copper

TERMINALS:
Silver Plated Brass

OBSOLETE
March 2015

SUGGESTED PANEL CUTOUT



PANEL THICKNESS	X
0.020~0.049 [0.50~1.25]	0.764 [19.4]
0.049~0.079 [1.25~2.00]	0.775 [19.7]
0.079~0.118 [2.00~3.00]	0.787 [20.0]

REVISION	DATE	BY	DESCRIPTION
A	09/07/28	CAB	ACTUATOR
A	09/07/28	CAB	BODY
A	09/07/28	CAB	COLORS
A	09/07/28	CAB	MATERIALS
B	10/02/10	CAB	SPECIFICATIONS

THE INFORMATION CONTAINED IN THIS DOCUMENT IS PROPRIETARY TO E-SWITCH-LAMB INDUSTRIES AND IS NOT TO BE COPIED OR TRANSFERRED

REV.	DESCRIPTION	DATE	DRAWN BY
B	CORRECTED EUROPEAN RATING	10/02/10	CAB
A	INITIAL RELEASE	09/10/08	CAB

DIMENSIONS	INCHES [MILLIMETERS]
GENERAL TOLERANCES	±0.008 [±0.2] / ±1"
SCALE	DRAWING NOT TO SCALE

RA121E1100		
ITEM NUMBER	DATE	REVISION
03-RA121E1100	FEBRUARY 10, 2010	B