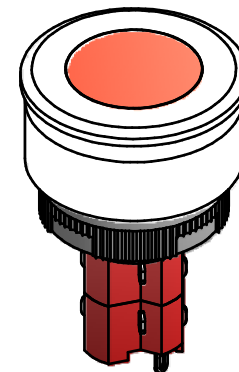
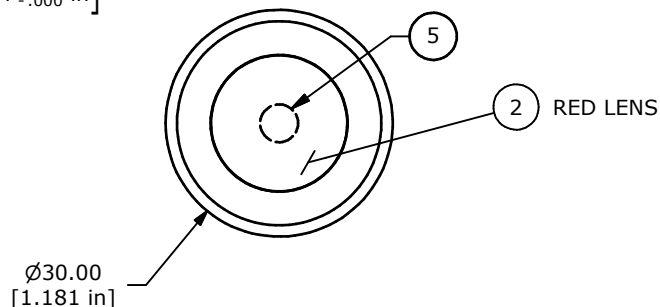
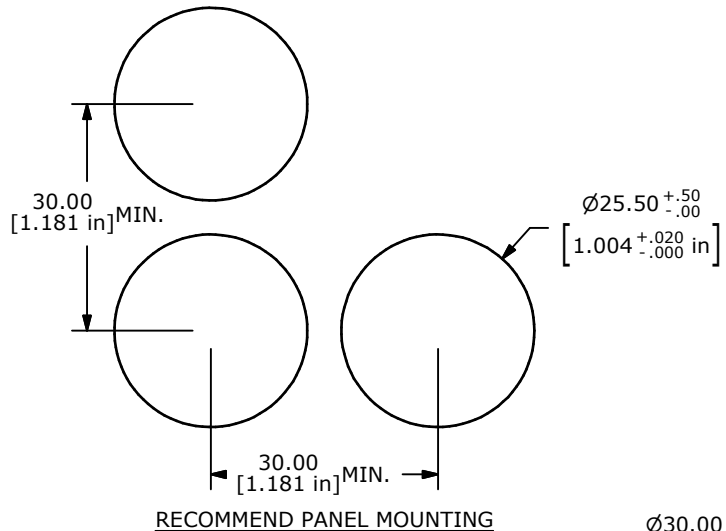
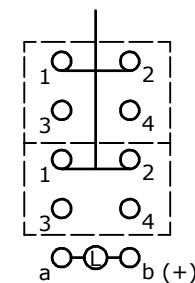
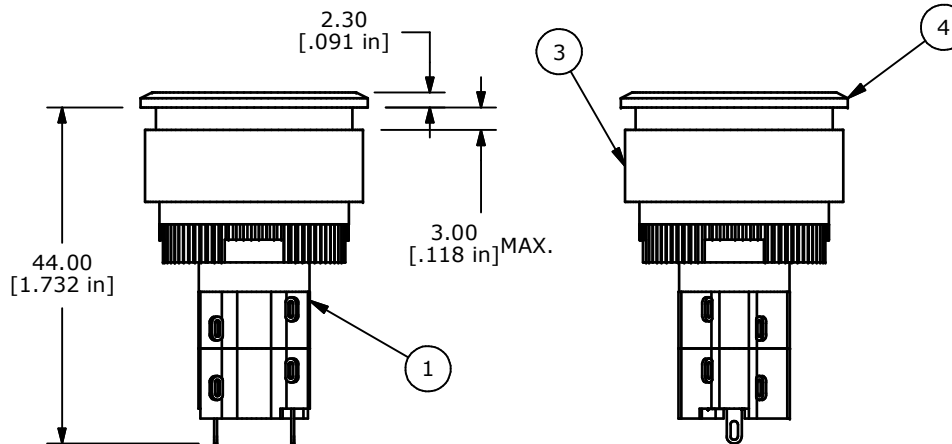


▲ Parts List

ITEM	QTY	PART NUMBER	DESCRIPTION
1	1	F060607	LASOAV12
2	1	F060204	25 MM RED LENS
3	1	F051705	30MM FLUSH MOUNT RETAINER
4	1	F051704	30MM FLUSH MOUNT BEZEL
5	1	F050420	LED 12VDC RED



ISOMETRIC



▲ CONTACT CONFIGURATION

- NOTES:
1. ALL DIMENSIONS IN MM [INCH].
  2. GENERAL TOLERANCE: 0.0±0.4  
0.00±0.25
  3. TERM. NOS. FOR REF. ONLY.
  4. RATING: 5A @250VAC  
8A @125VAC  
0.2A @250VDC  
6A @24VDC
  5. INSULATION: 1,000 MΩ MIN.
  6. DIELECTRIC STRENGTH: 2000V FOR 1 MIN.
  7. SEALED TO IP65.
  8. TRAVEL: 3.0MM FULL TRAVEL
  9. ELECTRICAL LIFE: >50,000 CYCLES
  10. OPERATING TEMP: -25C TO +55C
  11. PANEL THICKNESS: 0.5MM TO 3.0MM
  - ▲12. LAMP VOLTAGE: LED 12V DC RED
  13. ▲ DENOTES CRITICAL PARAMETER.
  14. PACKAGE: BOX/20 PCS PER.
  15. 2002/95/EC (ROHS) COMPLIANT



TITLE LASOAV32JREDRED

A	18332	RELEASED FOR PRODUCTION	12/3/08	BLR
REV	PCR NO	DESCRIPTION	DATE	BY

SCALE	DATE	DR	DWG	REV
1:1	12/3/2008	BLR	XF0777P	A

THE INFORMATION CONTAINED IN THIS DOCUMENT IS PROPRIETARY TO E-SWITCH AND IS NOT TO BE COPIED OR TRANSFERRED