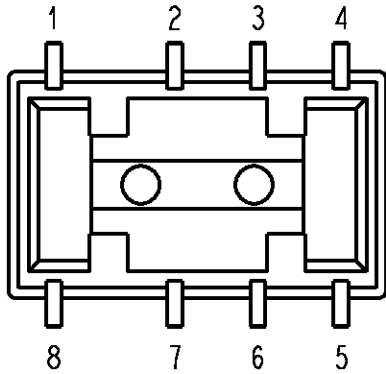
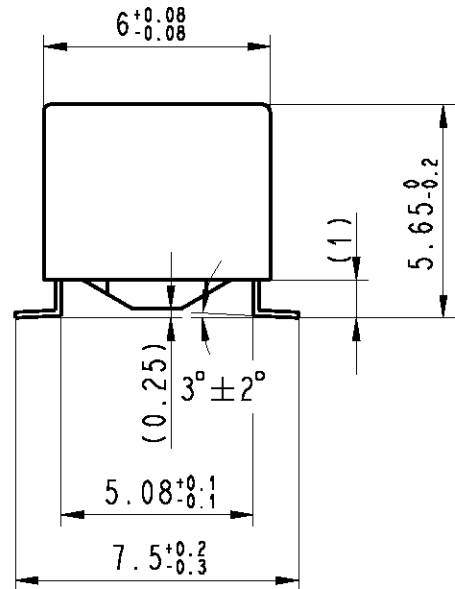
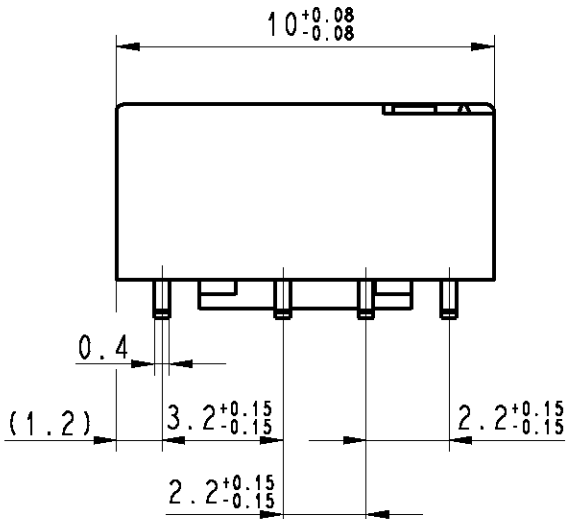


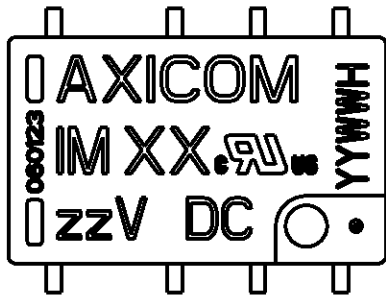
LOC		DIST		REVISIONS			
P	LTR	DESCRIPTION	DATE	DWN	APVD		
HJ	-	A8	REVISED PER ECO-11-005150	25MAR11	RK	HMR	



Relay - bottom view



Coplanarity < 0.10mm



XX = Relay type
 ZZ = nominal voltage
 YYWW = Date code

DRAWING ALIAS E2000-DOK02

THIS DRAWING IS UNPUBLISHED. ALL RIGHTS RESERVED.

COPYRIGHT BY -

COPYRIGHT BY -

DIMENSIONS: mm TOLERANCES UNLESS OTHERWISE SPECIFIED: DIN 7168-m 0 PLC ±- 1 PLC ±- 2 PLC ±- 3 PLC ±- 4 PLC ±- ANGLES ±-	DWN UKo 9193 20Jan1999 CHK HD 9121 20Jan1999 APVD HD 9121 20Jan1999	MATERIAL -	FINISH -
	PRODUCT SPEC - APPLICATION SPEC - WEIGHT -	TE TE Connectivity	
CUSTOMER DRAWING		SIZE A4 CAGE CODE 00779 DRAWING NO C-1462037-2	RESTRICTED TO - SCALE 5:1 SHEET 1 OF 1 REV A8