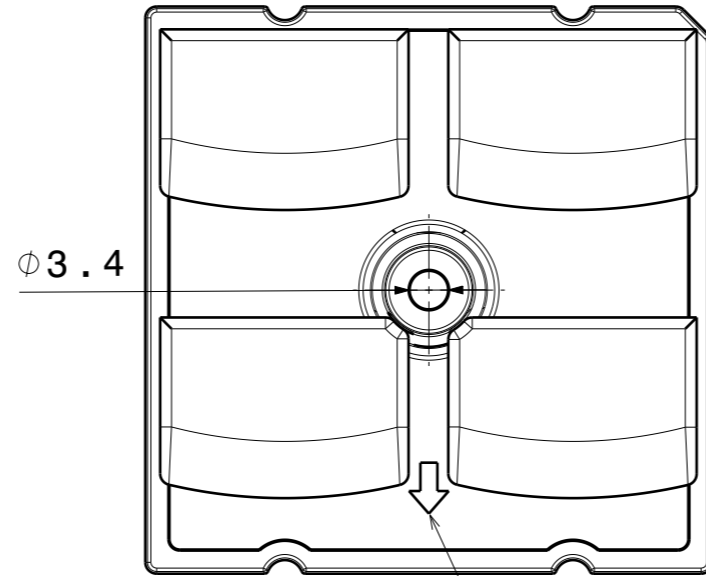
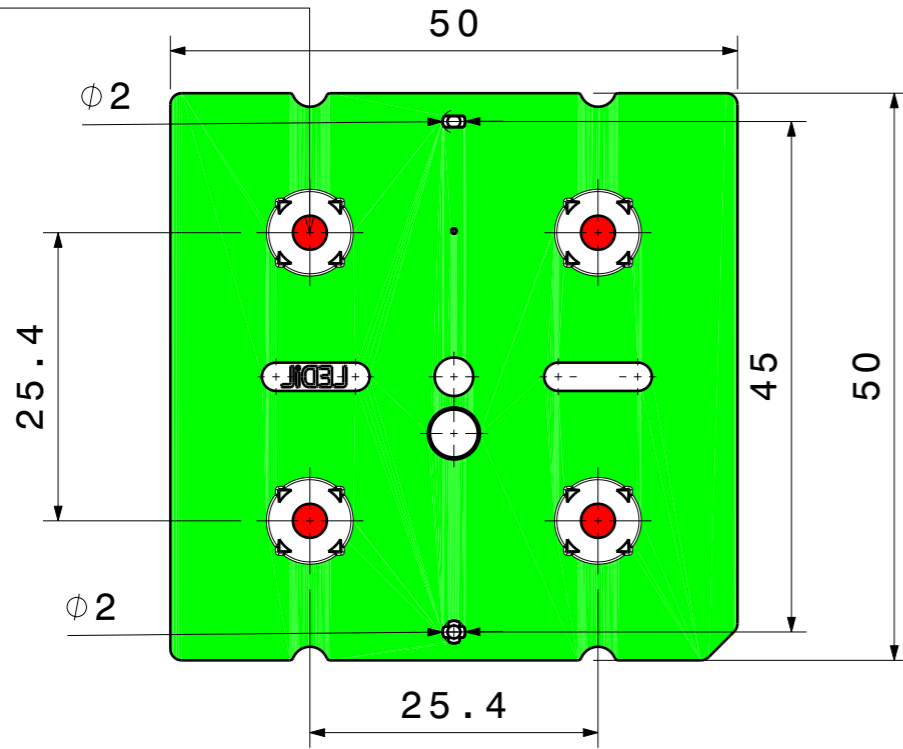
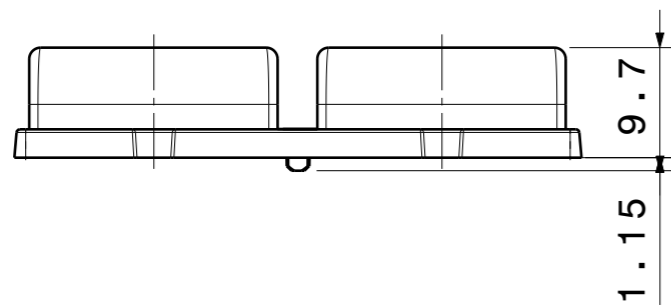
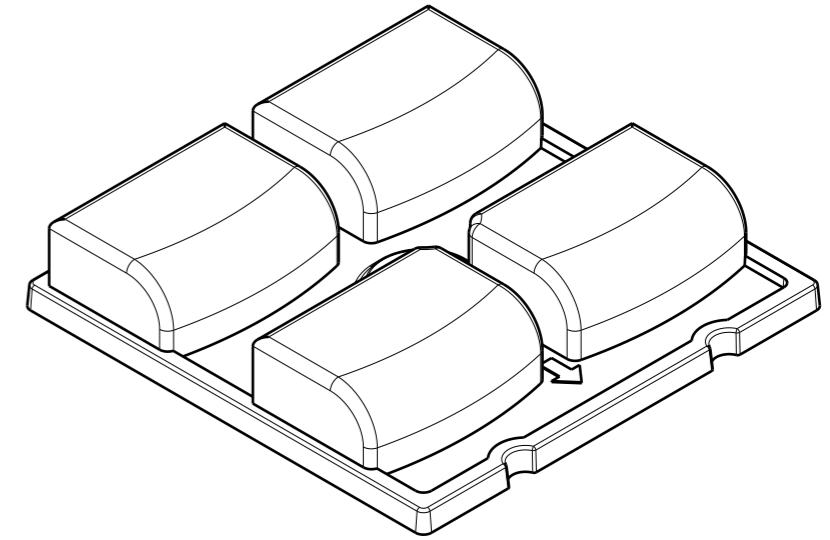


Led Location



Arrow indicates light direction



Notes

- PCB or heat sink level
 - Led location
- Ensure LED fitting from a product specific 3D model available from www.ledil.com

COMPONENTS

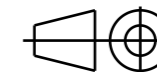
| INDEX | PRODUCT | TYPE | MATERIAL | COLOUR/COATING |
|-------|------------------------|------|----------|----------------|
| 1 | C16181_STRADA-2X2-ME-N | LENS | PMMA | CLEAR |

MECHANICAL DRAWING

PRODUCT
C16181_STRADA-2X2-ME-N

Tolerances if not otherwise shown
According to DIN ISO 2768-1
Linear measures:
Up to 30mm class M, otherwise class C.
According to DIN ISO 2768-2
Form and position: class L

FIRST ANGLE PROJECTION:



LEDiL[®]

This drawing is the property of LEDiL Oy. It may not be reproduced, copied or communicated without a written agreement with LEDiL Oy.

| | | | | | |
|-------|-----|------|----|-------|-----|
| SCALE | 3:2 | SIZE | A3 | SHEET | 1/2 |
|-------|-----|------|----|-------|-----|