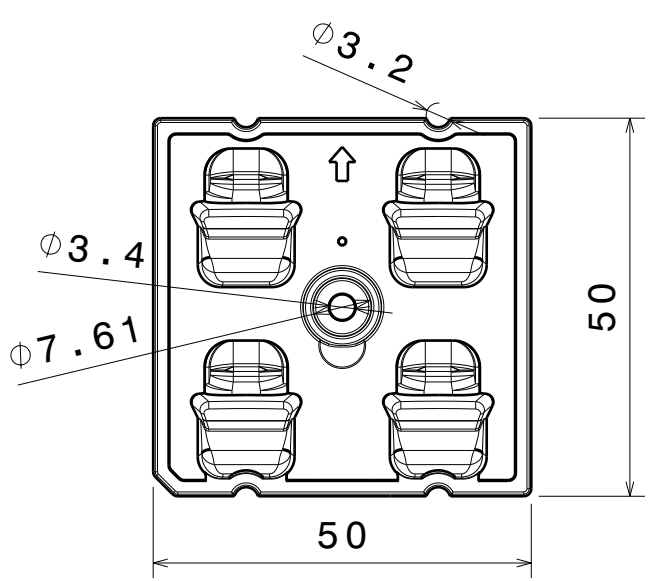


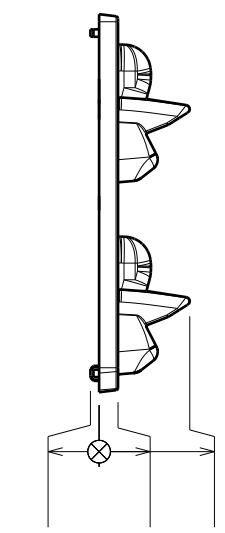
D C B A

4  
3  
2  
1

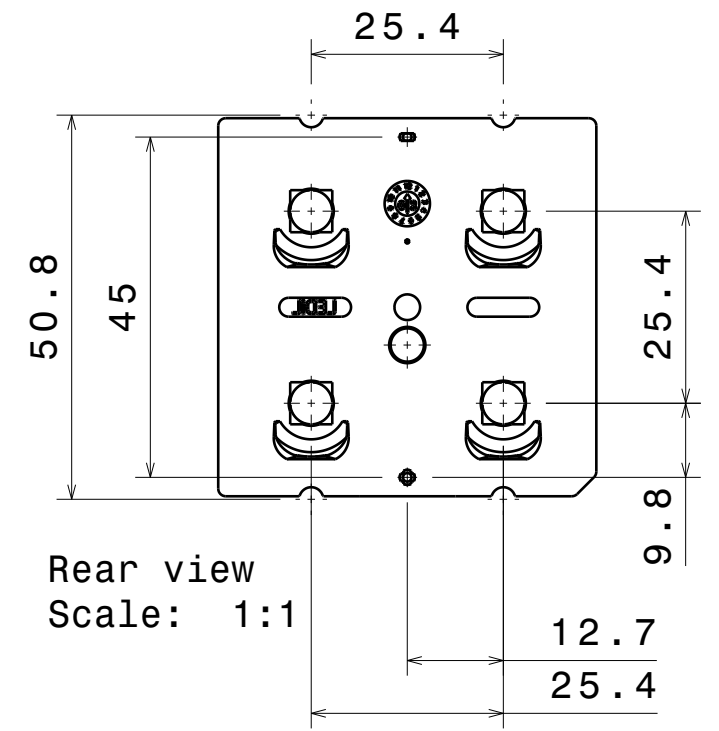
4  
3  
2  
1



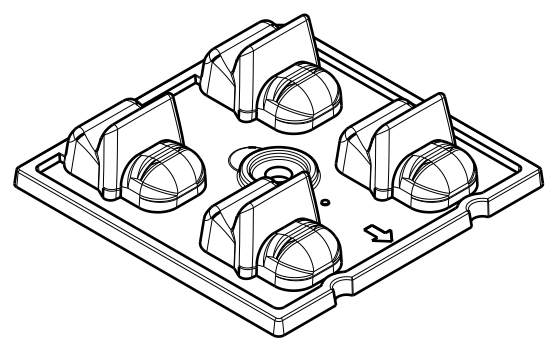
Front view  
Scale: 1:1



Left view  
Scale: 1:1



Rear view  
Scale: 1:1



Isometric view  
Scale: 1:1

INDEX	PART NO	DESCRIPTION	MATERIAL	COLOUR
1	C15962	STRADA-2X2-FS3_MECHMODEL	PMMA 8N	clear

Tolerances if not otherwise shown  
According to DIN ISO 2768-1  
Linear measures:  
Up to 30mm class Fj, otherwise see class MC.  
According to DIN ISO 2768-2  
Form and position: class K  
Control for SPC marked dimensions.

**LEDiL** Ledil Oy  
Salorankatu 10  
FIN 24240 SALO  
Finland

THIRD ANGLE PROJECTION:

DRAWING TITLE  
**C15962\_STRADA-2X2-FS3\_MECHMODEL**

This drawing is the property of LEDiL Oy. It may not be reproduced, copied or communicated without a written agreement with LEDiL Oy.

SIZE: **A4** PART NUMBER: **C15962**

SCALE: 1:1 WEIGHT: 7,98 g SHEET: 1/1

D A