

Solid-state relay module - EMG 17-OV-230AC/ 60DC/3 - 2954206

Please be informed that the data shown in this PDF Document is generated from our Online Catalog. Please find the complete data in the user's documentation. Our General Terms of Use for Downloads are valid (<http://phoenixcontact.com/download>)



Power solid-state relay, with LED and protective circuit in input and output circuits, input: 230 V AC, output: 12 - 60 V DC/max. 3 A

The illustration shows version EMG 17-OV, with DC voltage output, max. 3 A

Product Features

- RC protective circuit
- Protective circuit in input and output
- EMG-17-OV, short-circuit-proof with indicator LED
- Status indicator
- Zero voltage switch
- Electrical isolation



Key commercial data

| | |
|--------------------------------------|----------|
| Packing unit | 1 pc |
| Weight per Piece (excluding packing) | 93.4 GRM |
| Custom tariff number | 85364900 |
| Country of origin | Germany |

Technical data

Dimensions

| | |
|--------|---------|
| Width | 17.5 mm |
| Height | 75 mm |
| Depth | 102 mm |

Ambient conditions

| | |
|---------------------------------|------------------|
| Ambient temperature (operation) | -20 °C ... 60 °C |
|---------------------------------|------------------|

Solid-state relay module - EMG 17-OV-230AC/ 60DC/3 - 2954206

Technical data

Ambient conditions

| | |
|---|------------------|
| Ambient temperature (storage/transport) | -20 °C ... 70 °C |
| Degree of protection | IP20 |

Input data

| | |
|--|--------------------------------------|
| Nominal input voltage U_N | 230 V AC |
| Input voltage range in reference to U_N | 0.9 ... 1.1 |
| Switching threshold "0" signal in reference to U_N | ≤ 0.4 |
| Switching threshold "1" signal in reference to U_N | ≥ 0.8 |
| Typical input current at U_N | 4 mA |
| Typical response time | 3 ms |
| Typical turn-off time | 13 ms |
| Status display | Yellow LED |
| Type of protection | Protection against polarity reversal |
| | Surge protection |
| Protective circuit/component | Polarity protection diode |
| Transmission frequency | 10 Hz |

Output data

| | |
|--|--------------------------------------|
| Output nominal voltage | 60 V DC |
| Output voltage range | 12 V DC ... 60 V DC |
| Limiting continuous current | 3 A (see derating curve) |
| Peak offstate voltage | 60 V DC |
| Voltage drop at max. limiting continuous current | 1.2 V |
| Output circuit | 2-wire, floating |
| Type of protection | Protection against polarity reversal |
| | Surge protection |
| Protective circuit/component | Polarity protection diode |

Connection data

| | |
|--|---------------------|
| Connection method | Screw connection |
| Stripping length | 8 mm |
| Screw thread | M3 |
| Conductor cross section solid min. | 0.2 mm ² |
| Conductor cross section solid max. | 4 mm ² |
| Conductor cross section stranded min. | 0.2 mm ² |
| Conductor cross section stranded max. | 2.5 mm ² |
| Conductor cross section AWG/kcmil min. | 24 |
| Conductor cross section AWG/kcmil max | 12 |

Solid-state relay module - EMG 17-OV-230AC/ 60DC/3 - 2954206

Technical data

General

| | |
|---|---------------------------|
| Test voltage input/output | 3.5 kV AC |
| | 3.5 kV AC |
| Mounting position | any |
| Assembly instructions | In rows with zero spacing |
| Operating mode | 100% operating factor |
| Inflammability class according to UL 94 | V0 |
| Standards/regulations | IEC 60664 |
| | EN 50178 |
| | IEC 62103 |
| Rated surge voltage / insulation | Basic insulation |

Classifications

eCl@ss

| | |
|------------|----------|
| eCl@ss 4.0 | 27371102 |
| eCl@ss 4.1 | 27371102 |
| eCl@ss 5.0 | 27371001 |
| eCl@ss 5.1 | 27371001 |
| eCl@ss 6.0 | 27371001 |
| eCl@ss 7.0 | 27371001 |
| eCl@ss 8.0 | 27371001 |

ETIM

| | |
|----------|----------|
| ETIM 2.0 | EC001504 |
| ETIM 3.0 | EC001504 |
| ETIM 4.0 | EC001504 |
| ETIM 5.0 | EC001504 |

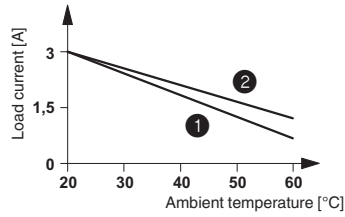
UNSPSC

| | |
|---------------|----------|
| UNSPSC 6.01 | 30211916 |
| UNSPSC 7.0901 | 39121542 |
| UNSPSC 11 | 39121542 |
| UNSPSC 12.01 | 39121542 |
| UNSPSC 13.2 | 39121542 |

Drawings

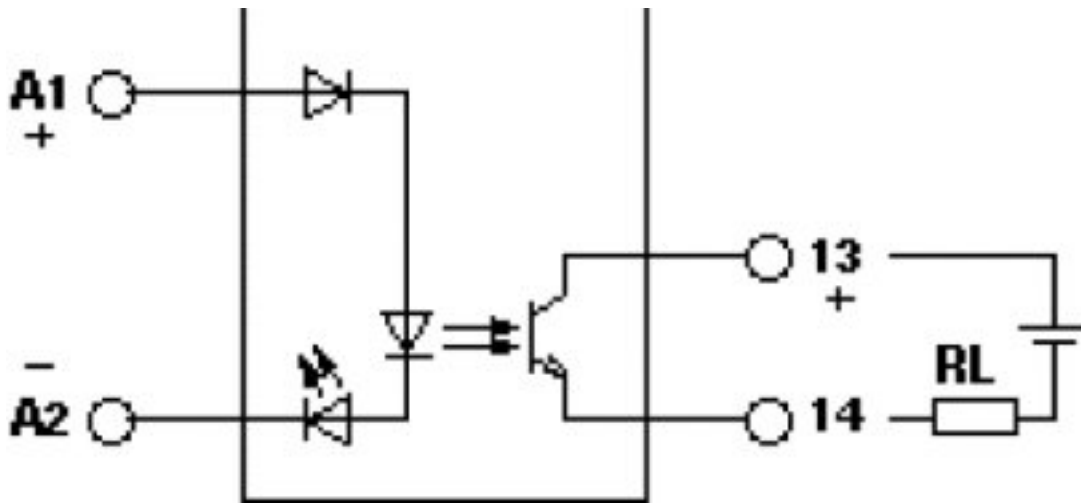
Solid-state relay module - EMG 17-OV-230AC/ 60DC/3 - 2954206

Diagram



- ① In rows with zero spacing
- ② stand-alone device

Circuit diagram



Circuit diagram

