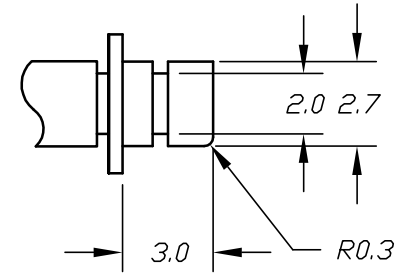
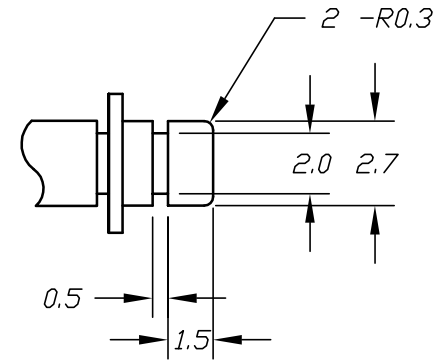
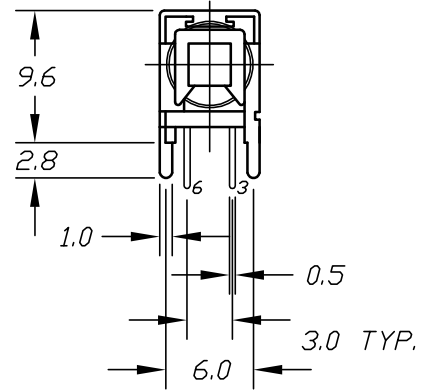
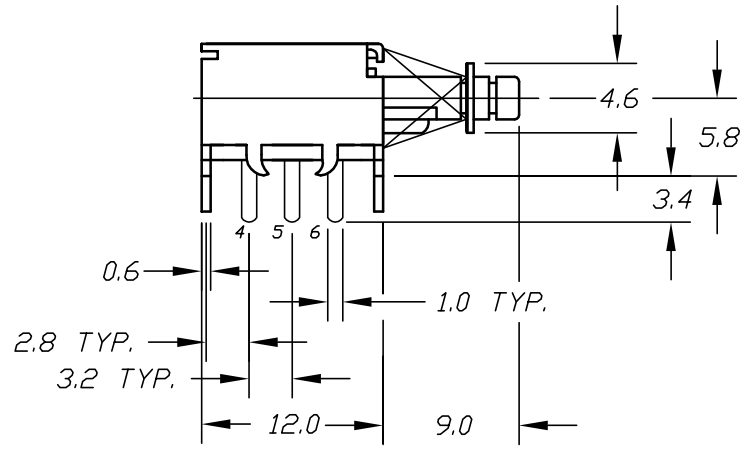


CIRCUIT: DPDT

CONTACT CONFIGURATION

RECOMMEND P.C.B. HOLES



(ACTUATOR DETAIL) SCALE 4:1

NOTES:

- 1. ALL DIMENSIONS IN MM [IN]
- 2. TERM. NDS. FOR REF ONLY
- ③ 3. GENERAL TOLERANCE: 0=±0.4; 0=±0.25
- ③ 4. RATING: 0.3A @30VDC; 1A @18VAC
- ③ 5. ELECTRIC LIFE: 10,000 CYCLES MINIMUM AT BOTH LOADS
- 6. OPERATING FORCE: 330±150gf
- 7. TRAVEL: FULL 3.5mm; LOCK 2.5mm

B	10994	NOTES ADDED	10/09/00	PML
A		RELEASED FOR PRODUCTION	12/06/96	MM
REV.	ECN No.	DESCRIPTION	DATE	CHKD

THE INFORMATION CONTAINED IN THIS DOCUMENT IS PROPRIETARY TO E-SWITCH AND IS NOT TO BE COPIED OR TRANSFERRED

E-SWITCH®				
TITLE LC 2254 EE N P				
SCALE 2:1	DATE 12/06/96	DR MM	DWG P070160	REV B