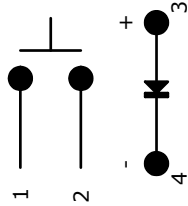


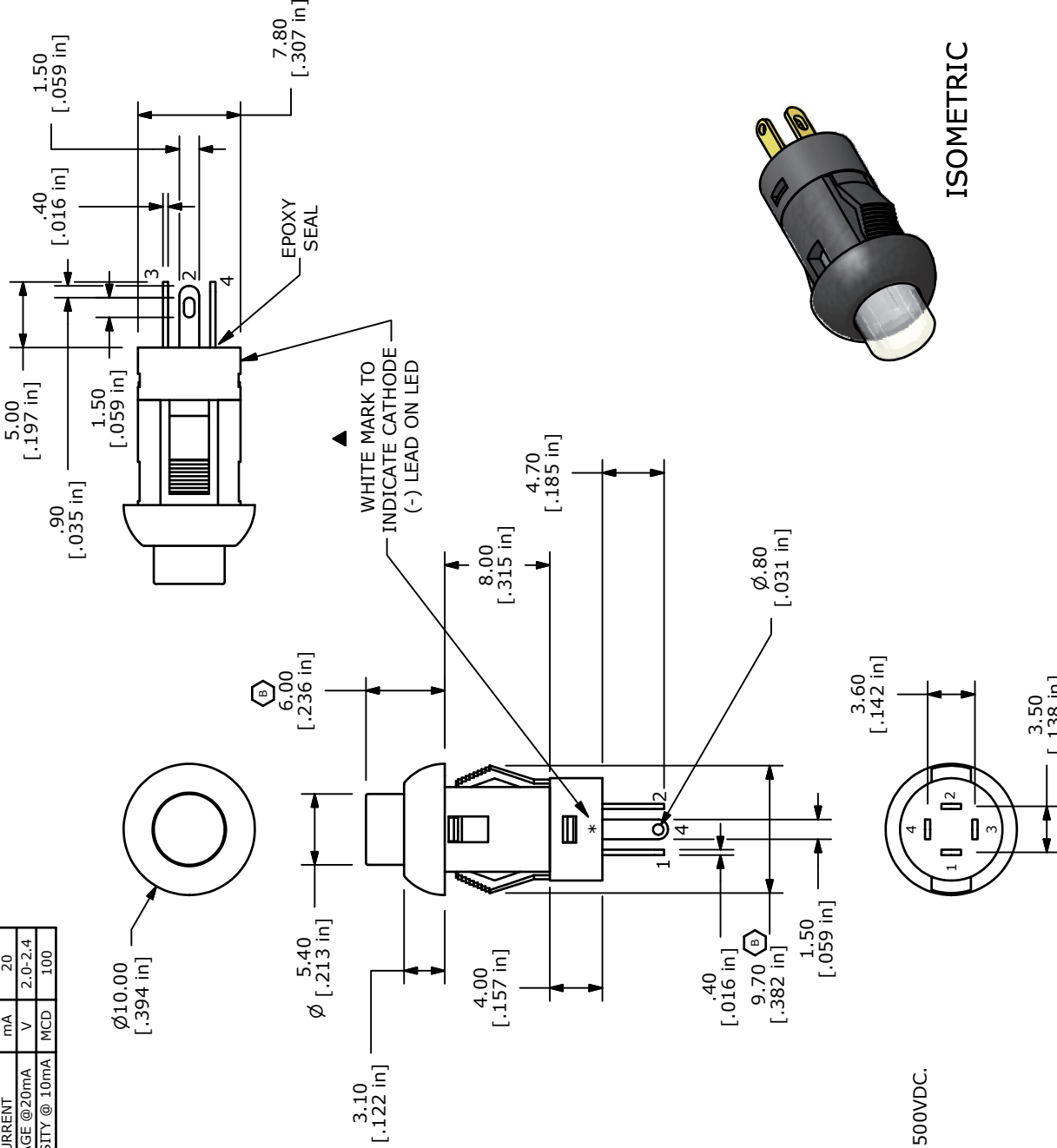


T	D
1.0-2.0	8.0-8.2
2.0-2.5	8.2-8.4
2.5-3.0	8.4-8.6



▲ YELLOW LED  
CIRCUIT: SPST  
OFF (ON)

▲ LED SPECS	UNITS	YELLOW
FORWARD CURRENT	mA	20
FORWARD VOLTAGE @20mA	V	2.0-2.4
LUMINOUS INTENSITY @ 10mA	MCD	100



ISOMETRIC

- NOTES:
1. ALL DIMENSIONS IN MM [INCH]
  2. GENERAL TOLERANCE: X.X=±0.4  
X.XX=±0.25
  3. RATING: 30VDC @ 100mA
  4. CONTACT RESISTANCE: 50 Milli-OHMS MAX.
  5. INSULATION RESISTANCE: 100Mega-OHMS MIN@500VDC.
  6. OPERATING FORCE: 250 ± 100gf
  7. TRAVEL: 1.8± 0.3mm
  8. OPERATING TEMPERATURE: -40°C TO 85°C
  9. OPERATING LIFE: 50,000 CYCLES
  - ▲ 10. LED: YELLOW
  11. ▲ DENOTES CRITICAL PARAMETERS
  12. 2002/95/EC (ROHS) COMPLIANT

		TITLE LP10A1AY		
B	19582	CHANGED DIMS: was 9.6 & 6.1	1/13/11	BGL
A	18727	New Release	12/10/09	BLR
REV	PCR NO	DESCRIPTION	DATE	BY
<small>THE INFORMATION CONTAINED IN THIS DOCUMENT IS PROPRIETARY TO E-SWITCH AND IS NOT TO BE COPIED OR TRANSFERRED</small>				
SCALE	2=1	DATE	12/10/2009	DR
DWG	B200203	DR	BLR	REV
				B