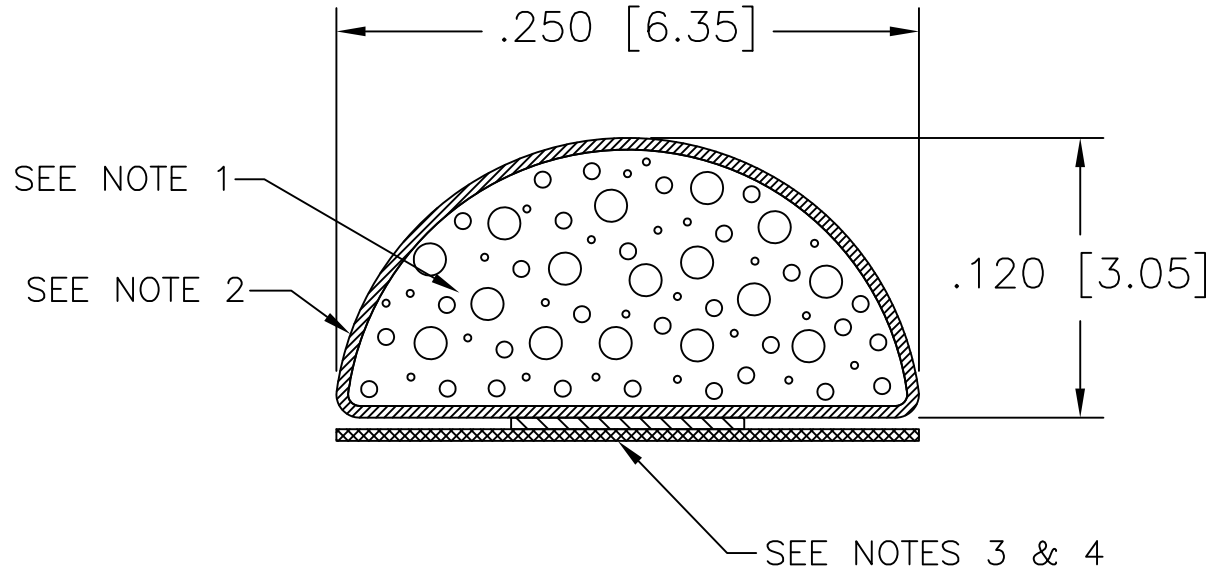


THIS INFORMATION IS CONFIDENTIAL AND PROPRIETARY TO LAIRD TECHNOLOGIES. IT MAY NOT BE DISCLOSED TO ANYONE, OTHER THAN LAIRD TECHNOLOGIES PERSONNEL, WITHOUT WRITTEN AUTHORIZATION FROM LAIRD TECHNOLOGIES.



NOTES:

1. FOAM: HF-1
2. FABRIC: NICKEL NRS FR
3. TAPE: .100" TAPE HI-TEMP
4. LINER: 1/4" EXTENDED RELEASE LINER
5. FABRIC SEAM LOCATION MAY VARY.

REVISIONS:
1. FOAM WAS 2410155, NOW IS 6250255; FABRIC WAS 5060650, NOW IS 5060700. 12/14/99 JMC
2. CHANGED FABRIC 5060700 TO 2600700 10/17/00 AL

TITLE: SHIELDING GASKET	
Dwg. or Part No. 4202-AB-51K	REV. 2

DRAWN C. SAUNDERS	DATE 9/22/99	SCALE: 1/1
CHECKED BY: C. SAUNDERS	DATE 9/22/99	
RELEASED BY: C. SAUNDERS	DATE 9/22/99	

DIMENSIONS ARE IN INCHES. UNLESS OTHERWISE SPECIFIED, TOLERANCES ARE AS FOLLOWS:	
DECIMALS	LENGTH
.XX ± .03	0" - 6" ± .030"
.XXX ± .020	6" - 11" ± .050"
	11" - 48" ± .100"
ANGLES	48" - 70" ± .187"
	70" - 144" ± .250"
	± 1/2°

