

MeshConnect™ EM357 Module

ZICM357P2

Ember EM357 Transceiver Based Module

Integrated Transceiver Modules for ZigBee

DESCRIPTION

CEL's MeshConnect™ EM357 Module combines a high performance RF solution with the market's premier ZigBee® stack. The addition of on board memory enables Over-the-Air (OTA) programming without the need for additional in system memory. The integrated Power Amplifier (PA) maximizes range and performance. The small module footprint makes it suitable for a wide range of ZigBee applications. The MeshConnect EM357 Module is certified and qualified, enabling customers to accelerate time to market by greatly reducing the design and certification phases of development.


CEL's MeshConnect™ EM357 Module (ZICM357P2) is based on the Ember EM357 Zigbee® compliant System on Chip (SoC) IC. The IC is a single-chip solution compliant with ZigBee specifications and IEEE 802.15.4, a complete wireless solution for all ZigBee applications. The IC consists of an RF transceiver with the baseband modem, a hardwired MAC and an embedded 32-bit ARM® Cortex™-M3 microcontroller with internal RAM (12 kB) and Flash (192 kB) memory. The device provides numerous general-purpose I/O pins and peripheral functions such as timers and UARTs.

The MeshConnect EM357 Module adds a PA to increase range, provide more reliable transmission, and reduce the number of nodes in a network. It is useful for open outdoor applications where the nodes are physically far apart or for indoor areas where the nodes have to operate in a noisy RF environment. The module's outstanding 120 dB link budget ensures high quality connections even in such harsh environments.

The MeshConnect EM357 module also integrates an optional 1MB Flash memory for OTA program updates, making this device ready for Smart Energy Applications.

ORDERING INFORMATION

| Part Number | Order Number | Description | Min/Multiple |
|-----------------------------|-----------------|--|--------------|
| MeshConnect EM357 Module | ZICM357P2-2 | +20 dBm Output Power, PCB Trace Antenna and 1MB Additional Flash | 140/140 |
| | ZICM357P2-2C | +20 dBm Output Power with U.FL Connector for External Antenna, 1MB Additional Flash | 140/140 |
| | ZICM357P2-1-NF | +20 dBm Output Power, PCB Trace Antenna (No Additional Flash Memory) | 140/140 |
| | ZICM357P2-1C-NF | +20 dBm Output Power with U.FL Connector for External Antenna (No Additional Flash Memory) | 140/140 |



CEL MeshConnect™ EM357 Module

- **FLASH Memory:**
 - 192 kB (EM357 Internal)
 - 1MB (on Module Board - Optional)
- **12 kB SRAM**
- **32-bit ARM® Cortex™-M3**
- **Up to 23 GPIO Pins**
- **SPI (Master/Slave), TWI, UART**
- **Timers, Serial Wire/JTAG Interface**
- **5-Channel 14-Bit ADC**

- Transmit Power +20dBm
- 1MB Additional Flash for OTA Programming (Optional)
- +120 dB RF Link Budget

FEATURES

- **High RF Performance:**
 - Up to 120 dB RF Link Budget
 - RX Sensitivity: -100 dBm
 - RF TX Power: +20 dBm
- **Data Rate: 250 kbps**
- **Small Footprint: 1" x 1.41"**
(25.4 mm x 35.9 mm)
- **Advanced Power Management**
Scheme with Deep Sleep Mode
- **Antenna Options:**
 - 1) Integrated PCB Trace Antenna or
 - 2) U.FL Connector for External Antenna
- **16 RF Channels**
- **AES Encryption**
- **FCC, CE and IC Certifications**
- **ROHS Compliant**

APPLICATIONS

- **Smart Energy/Grid Markets**
Smart Meters
- **Building Automation and Control**
- **General ZigBee Wireless Sensor Networking**
- **Home Automation and Control**
Thermostats
Displays
Energy Management
Security Devices
HVAC Control
Lighting Control

FLASH MEMORY

- **192 kB (EM357 Internal)**
- **1MB Additional Flash for OTA Programming (Optional)**
Note: The EM357 Module without additional Flash memory is recommended for applications where the module is used with an external host processor (Network Co-Processor mode)

MODULE BLOCK DIAGRAMS

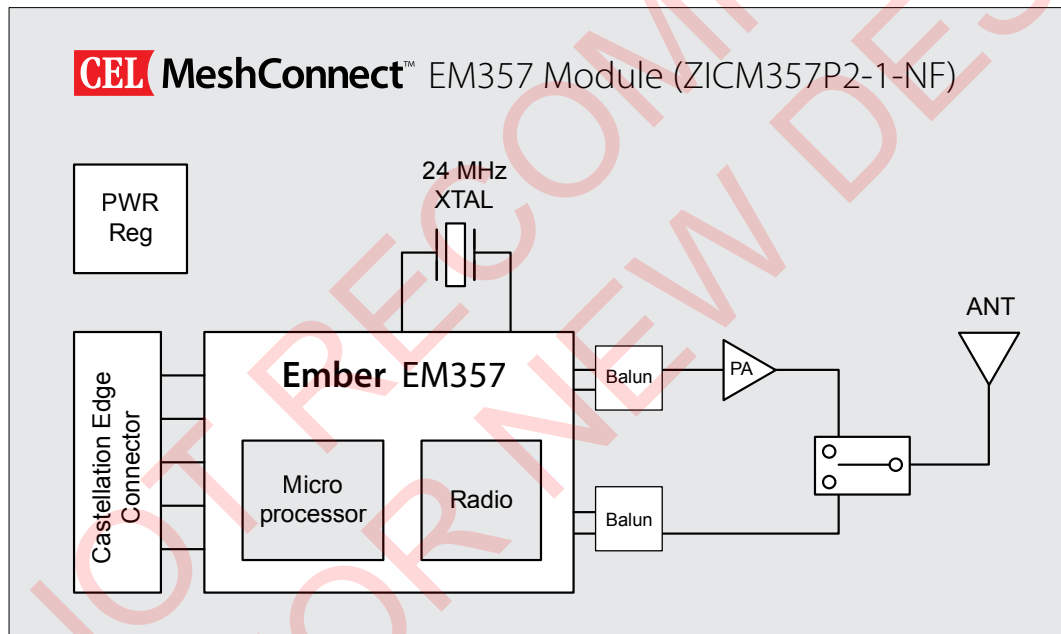
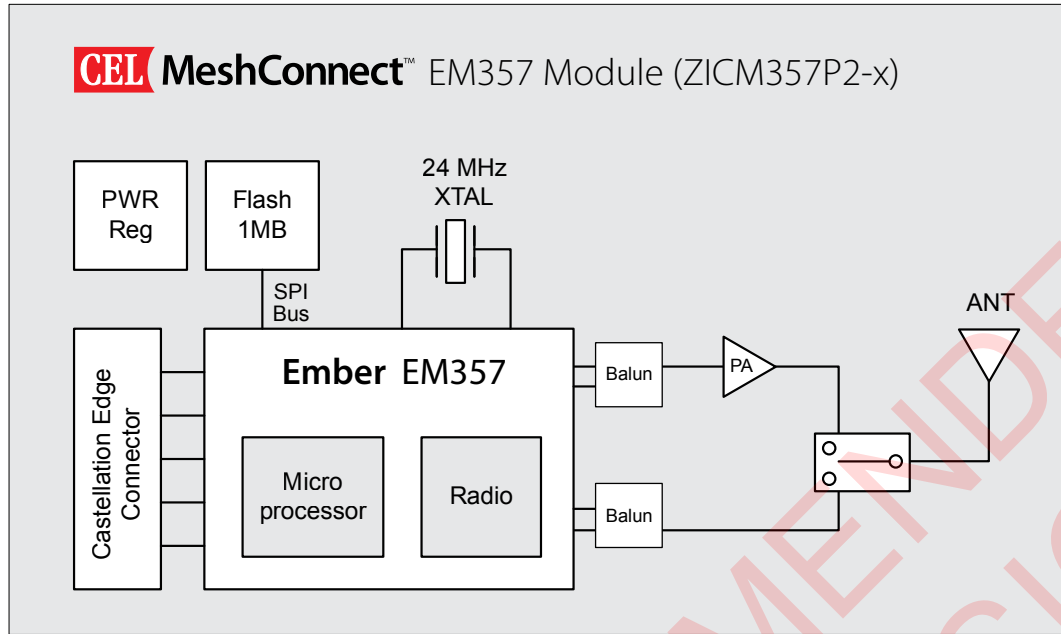


TABLE OF CONTENTS

Introduction and Overview

| | |
|----------------------------|---|
| Description..... | 1 |
| Features..... | 1 |
| Applications..... | 1 |
| Ordering Information..... | 1 |
| Module Block Diagrams..... | 2 |

System Level Function

| | |
|------------------------------|---|
| Transceiver IC..... | 4 |
| Additional Flash Memory..... | 4 |
| Antenna..... | 4 |
| Power Amplifier..... | 5 |
| Software/Firmware..... | 5 |

Electrical Specification

| | |
|--|---|
| Absolute Maximum Ratings..... | 6 |
| Recommended (Operating Condition)..... | 6 |
| DC Characteristics..... | 6 |
| RF Characteristics..... | 6 |

Pin Signal and Interfaces

| | |
|------------------------------------|----|
| Pin Signals I/O Configuration..... | 7 |
| I/O Pin Assignment..... | 7 |
| Module Dimensions..... | 10 |
| Module Footprint..... | 11 |

| | |
|-----------------|----|
| Processing..... | 12 |
|-----------------|----|

| | |
|----------------------------|----|
| Agency Certifications..... | 13 |
|----------------------------|----|

| | |
|-------------------------------------|----|
| Shipment, Storage and Handling..... | 15 |
|-------------------------------------|----|

| | |
|--------------|----|
| Quality..... | 15 |
|--------------|----|

| | |
|--------------------------------------|----|
| References and Revision History..... | 16 |
|--------------------------------------|----|

NOT RECOMMENDED FOR NEW DESIGN

TRANSCIVER IC

The MeshConnect EM357 Module uses the Ember EM357 transceiver IC. This IC incorporates the RF transceiver with the baseband modem, a hardwired MAC and an embedded ARM® Cortex™-M3 microcontroller, offering an excellent low cost high performance solution for all IEEE 802.15.4/ZigBee applications.

For more information about the Silicon Laboratories EM357 IC, visit <http://www.silabs.com>

ADDITIONAL FLASH MEMORY

The MeshConnect EM357 Modules (ZICM357P2-2 and ZICM357P2-2C) incorporates an optional additional 1MB external Flash memory for OTA program updates. The Flash memory communicates over the EM357's second serial controller using SPI. The Flash memory is wired to the following castellation pins:

| GPIO Name | Function | EM357 Module Pin Number |
|-----------|---|-------------------------|
| PA0 | SC2MOSI | 3 |
| PA1 | SC2MISO | 4 |
| PA2 | SC2SCLK | 5 |
| PA3 | SC2nSSEL | 6 |
| WP | Flash memory Write Protect line (has internal pull-up resistor, but not connected to the EM357) | 2 |

The instruction set for the Flash memory is similar to the Micron M25PE80. *Note: In order to achieve the specified sleep current for the module, it is necessary to send a Deep Power-Down command to the Flash memory.* See <http://www.micron.com> for more information on the instruction set.

ANTENNA

The MeshConnect EM357 Module includes an integrated Printed Circuit Board (PCB) trace antenna. An optional U.FL connector can be specified, providing connection to a 50-ohm external antenna of the user's choice. However, use of an external antenna is not covered by the module's certification; see Ordering Information on Page 1.

For optimum antenna performance, the MeshConnect EM357 Module should be mounted with the PCB trace antenna overhanging the edge of the host board. To further improve performance, a ground plane may be placed on the host board under the module up to the antenna. The installation of an uninterrupted ground plane on a layer directly beneath the module will also allow you to run traces under this layer. CEL can provide assistance with your PCB layout.

The PCB antenna employs an Inverted F-Antenna topology that is compact and highly efficient. To maximize range, an adequate ground plane must be provided on the host PCB. Correctly positioned, the ground plane on the host PCB will contribute significantly to the antenna performance; it should not be directly under the Inverted F-Antenna. The position of the module on the host board and overall design of the product enclosure contribute to antenna performance. Poor design affects radiation patterns and can result in reflection, diffraction and/or scattering of the transmitted signal.

A few design guidelines to help ensure antenna performance:

- Never place the ground plane or route copper traces directly underneath the antenna portion of the module
- Never place the antenna close to metallic objects
- In the overall design, ensure that wiring and other components are not placed near the antenna
- Do not place the antenna in a metallic or metalized plastic enclosure
- Keep plastic enclosures 1cm or more away from the antenna in any direction

POWER AMPLIFIER

The MeshConnect EM357 Module includes a PA. This PA delivers high efficiency, high gain and high output power ($P_{out} = +20.0$ dBm TYP) to provide an extended range and reliable transmission for fewer nodes in a network.

The PA is connected to the alternate EM357 IC TX output, so EM357 TX Power Modes 2 or 3 must be used to achieve the specified output power.

SOFTWARE/FIRMWARE

The MeshConnect EM357 Module is an ideal platform for the EmberZNet PRO™, the industry's most deployed and field proven ZigBee compliant stack supporting the ZigBee PRO feature set. EmberZNet PRO is a complete ZigBee protocol software package containing all the elements required for mesh networking applications. For more information regarding the software development for this IC, visit <http://www.silabs.com>

CEL provides reference software that runs multiple functions and executes various commands. The firmware allows the execution of IEEE 802.15.4 communication, validation and manufacturing tests. For example, users can set up a simple ZigBee Point-to-Point Network to perform Range and Packet Error Rate (PER) tests. The software can also place the module in various operating modes, which allows for setting and/or testing various parameters.

NOT RECOMMENDED
FOR NEW DESIGN

ABSOLUTE MAXIMUM RATINGS

| Description | MeshConnect EM357 Module | | Unit |
|------------------------------|--------------------------|-----------|------|
| | Min | Max | |
| Power Supply Voltage (VDD) | -0.3 | 3.6 | VDC |
| Voltage on any I/O Line | -0.3 | VDD + 0.3 | VDC |
| RF Input Power | – | 15 | dBm |
| Storage Temperature Range | -40 | 125 | °C |
| Reflow Soldering Temperature | – | 260 | °C |

Note: Exceeding the maximum ratings may cause permanent damage to the module or devices.

RECOMMENDED (OPERATING CONDITIONS)

| Description | MeshConnect EM357 Module | | | Unit |
|----------------------------|--------------------------|-----|------|------|
| | Min | Typ | Max | |
| Power Supply Voltage (VDD) | 2.7 | 3.3 | 3.6 | V |
| Input Frequency | 2405 | – | 2480 | MHz |
| Ambient Temperature Range | -40 | 25 | 85 | °C |

DC CHARACTERISTICS (@ 25°C, VDD = 3.3V, ZICM357P2 TX Power Mode 2, unless otherwise noted)

| Description | MeshConnect EM357 Module | | | Unit |
|-----------------------|--------------------------|-----|-----|------|
| | Min | Typ | Max | |
| Transmit Mode Current | – | 170 | – | mA |
| Receive Mode Current | – | 28 | – | mA |
| Sleep Mode Current | – | 6 | – | µA |

RF CHARACTERISTICS (@ 25°C, VDD = 3.3V, ZICM357P2 TX Power Mode 2, unless otherwise noted)

| Description | MeshConnect EM357 Module | | | Unit |
|-----------------------------------|--------------------------|------|------|------|
| | Min | Typ | Max | |
| General Characteristics | | | | |
| RF Frequency Range | 2405 | – | 2480 | MHz |
| RF Channels | 11 | – | 26 | – |
| Frequency Error Tolerance | -96.2 | – | 96.2 | kHz |
| Transmitter | | | | |
| Maximum Output Power | – | 20 | – | dBm |
| Minimum Output Power | – | -40 | – | dBm |
| Offset Error Vector Magnitude | – | 15 | 35 | % |
| Receiver | | | | |
| Sensitivity (1% PER, Boost Mode) | – | -100 | -94 | dBm |
| Sensitivity (1% PER, Normal Mode) | – | -98 | -92 | dBm |
| Saturation (Maximum Input Level) | 0 | – | – | dBm |

PIN SIGNALS I/O PORT CONFIGURATION

MeshConnect Module has 56 edge I/O interfaces for connection to the user’s host board. The MeshConnect Module Dimensions shows the layout of the 56 edge castellations.

MeshConnect I/O PIN ASSIGNMENTS

| CEL MeshConnect EM357 Module PIN Number | Ember EM357 IC Pin Number | Name | Notes |
|---|---------------------------|--------|--|
| 1 | 49 | GROUND | |
| 2 | N/C | WP | ZICM357P2-2 and ZICM357P2-2C: Flash memory write protect (internal pull-up) ZICM357P2-1-NF & ZICM357P2-1C-NF: N/C |
| 3 | 21 | PA0* | Digital I/O TIM2C1 - Timer 2 Channel 1 input/output SC2MOSI - SPI master data out/slave data in of Serial Controller 2 |
| 4 | 22 | PA1* | Digital I/O TIM2C3 - Timer 2 Channel 3 input/output SC2SDA - TWI data of Serial Controller 2 SC2MISO - SPI master data in/slave data out of Serial Controller 2 |
| 5 | 24 | PA2* | Digital I/O TIM2C4 - Timer 2 Channel 4 input/output SC2SCL - TWI clock of Serial Controller 2 SC2SCLK - SPI master/slave clock of Serial Controller 2 |
| 6 | 25 | PA3* | Digital I/O TIM2C2 - Timer 2 channel 2 input/output SC2nSSEL - SPI slave select of Serial Controller 2 TRACECLK - Synchronous CPU trace clock |
| 7 | 49 | GROUND | |
| 8 | 16, 23, 28, 37 | VCC | |
| 9 | 12 | RESET | Active Low (Input) |
| 10 | 13 | PC6 | Digital I/O OSC32B - 32.768 kHz crystal oscillator nTX_ACTIVE - Inverted TX_ACTIVE signal |
| 11 | 14 | PC7 | Digital I/O OSC32A - 32.768 kHz crystal oscillator OSC32_EXT - Digital 32.768 kHz clock input source |
| 12 | 18 | PA7 | Digital I/O TIM1C4 - Timer 1 Channel 4 output TIM1C4 - Timer 1 Channel 4 input REG_EN - External regulator open drain output |
| 13 | 19 | PB3 | Digital I/O TIM2C3 - Timer 2 channel 3 output TIM2C3 - Timer 2 channel 3 input SC1nCTS - UART CTS handshake of Serial Controller 1 SC1SCLK - SPI master/slave clock of Serial Controller 1 |
| 14 | 20 | PB4 | Digital I/O TIM2C4 - Timer 2 channel 4 output TIM2C4 - Timer 2 channel 4 input SC1nRTS - UART RTS handshake of Serial Controller 1 SC1nSSEL - SPI slave select of Serial Controller 1 |

*Dedicated as SC2 SPI bus for ZICM357P2-2 and ZICM357P2-2C due to Flash memory.

| CEL MeshConnect EM357 Module PIN Number | Ember EM357 IC Pin Number | Name | Notes |
|---|---------------------------|--------|---|
| 15 | 26 | PA4 | Digital I/O ADC4 - ADC Input 4 PTI_EN - Frame signal of Packet Trace Interface (PTI) TRACEDATA2 - Synchronous CPU trace data bit 2 |
| 16 | 27 | PA5 | Digital I/O ADC5 - ADC Input 5 PTI_DATA - Data signal of Packet Trace Interface (PTI) nBOOTMODE - Embedded serial bootloader activation out of rest TRACEDATA3 - Synchronous CPU trace data bit 3 |
| 17 | 29 | PA6 | Digital I/O TIM1C3 - Timer 1 channel 3 output TIM1C3 - Timer 1 channel 3 input |
| 18 | 30 | PB1 | Digital I/O SC1MISO - SPI slave data out of Serial Controller 1 SC1MOSI - SPI master data out of Serial Controller 1 SC1SDA - TWI data of Serial Controller 1 SC1TXD - UART transmit data of Serial Controller 1 TIM2C1 - Timer 2 channel 1 output TIM2C1 - Timer 2 channel 1 input |
| 19 | 49 | GROUND | |
| 20 | 49 | GROUND | |
| 21 | 49 | GROUND | |
| 22 | 31 | PB2 | Digital I/O SC1MISO - SPI master data in of Serial Controller 1 SC1MOSI - SPI slave data in of Serial Controller 1 SC1SCL - TWI clock of Serial Controller 1 SC1RXD - UART receive data of Serial Controller 1 TIM2C2 - Timer 2 channel 2 output TIM2C2 - Timer 2 channel 2 input |
| 23 | 32 | JTCK | JTAG clock input from debugger SWCLK - Serial Wire clock input/output with debugger |
| 24 | 33 | PC2 | Digital I/O JTDO - JTAG data out to debugger SWO - Serial Wire Output asynchronous trace output to debugger |
| 25 | | NC | No connect |
| 26 | 34 | PC3 | Digital I/O JTDI - JTAG data in from debugger |
| 27 | 35 | PC4 | Digital I/O JTMS - JTAG mode select from debugger SWDIO - Serial Wire bidirectional data to/from debugger |
| 28 | 49 | GROUND | |
| 29 | 36 | PB0 | Digital I/O VREF - ADC reference output VREF - ADC reference input IRQA - External interrupt source A TRACECLK - Synchronous CPU trace clock TIM1CLK - Timer 1 external clock input TIM2MSK - Timer 2 external clock mask input |
| 30 | 38 | PC1 | Digital I/O ADC3 - ADC Input 3 SWO - Serial Wire Output asynchronous trace output to debugger TRACEDATA0 - Synchronous CPU trace data bit 0 |

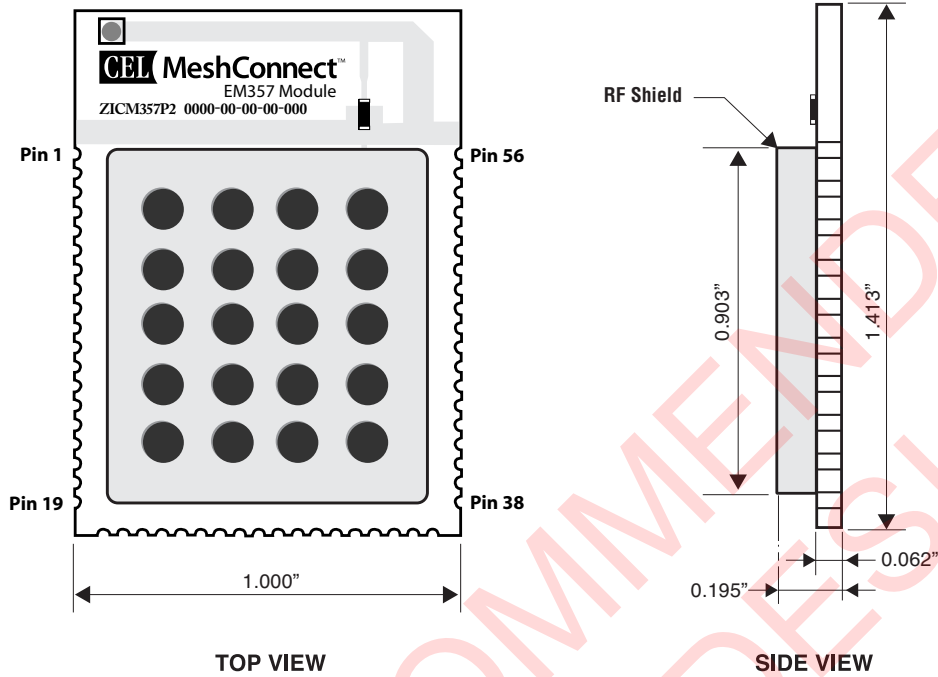
| CEL MeshConnect EM357 Module PIN Number | Ember EM357 IC Pin Number | Name | Notes |
|---|---------------------------|--------|--|
| 31 | 40 | PC0 | Digital I/O JRST - JTAG reset input from debugger IRQD - Default external interrupt source D TRACEDATA1 - Synchronous CPU trace data bit 1 |
| 32 | | NC | No connect |
| 33 | 41 | PB7 | Digital I/O ADC2 - ADC Input 2 IRQC - Default external interrupt source C TIM1C2 - Timer 1 channel 2 output TIM1C2 - Timer 1 channel 2 input |
| 34 | 42 | PB6 | Digital I/O ADC1 - ADC Input 1 IRQB - External interrupt source B TIM1C1 - Timer 1 channel 1 output TIM1C1 - Timer 1 channel 1 input |
| 35 | 43 | PB5 | Digital I/O ADC0 - ADC Input 0 TIM2CLK - Timer 2 external clock input TIM1MSK - Timer 1 external clock mask input |
| 36 | 49 | GROUND | |
| 37 | 49 | GROUND | |
| 38 | 49 | GROUND | |
| 39 | | NC | No connect |
| 40 | | NC | No connect |
| 41 | | NC | No connect |
| 42 | | NC | No connect |
| 43 | | NC | No connect |
| 44 | | NC | No connect |
| 45 | 49 | GROUND | |
| 46 | 49 | GROUND | |
| 47 | 49 | GROUND | |
| 48 | 49 | GROUND | |
| 49 | 49 | GROUND | |
| 50 | 49 | GROUND | |
| 51 | 49 | GROUND | |
| 52 | 49 | GROUND | |
| 53 | 49 | GROUND | |
| 54 | 49 | GROUND | |
| 55 | 49 | GROUND | |
| 56 | 49 | GROUND | |

Note: PC5 does not come out to a castellation pin since it is required to control the PA.

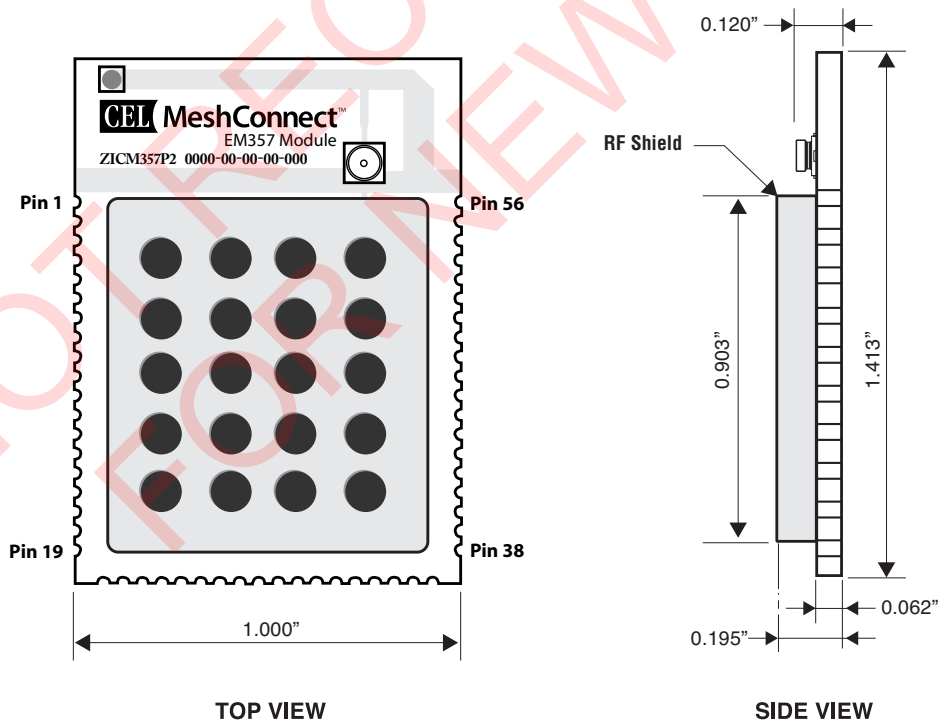
For additional Pin-out details please reference Silicon Laboratories EM357 IC Data Sheet.

Module DIMENSIONS

MeshConnect EM357 Module with PCB Trace Antenna



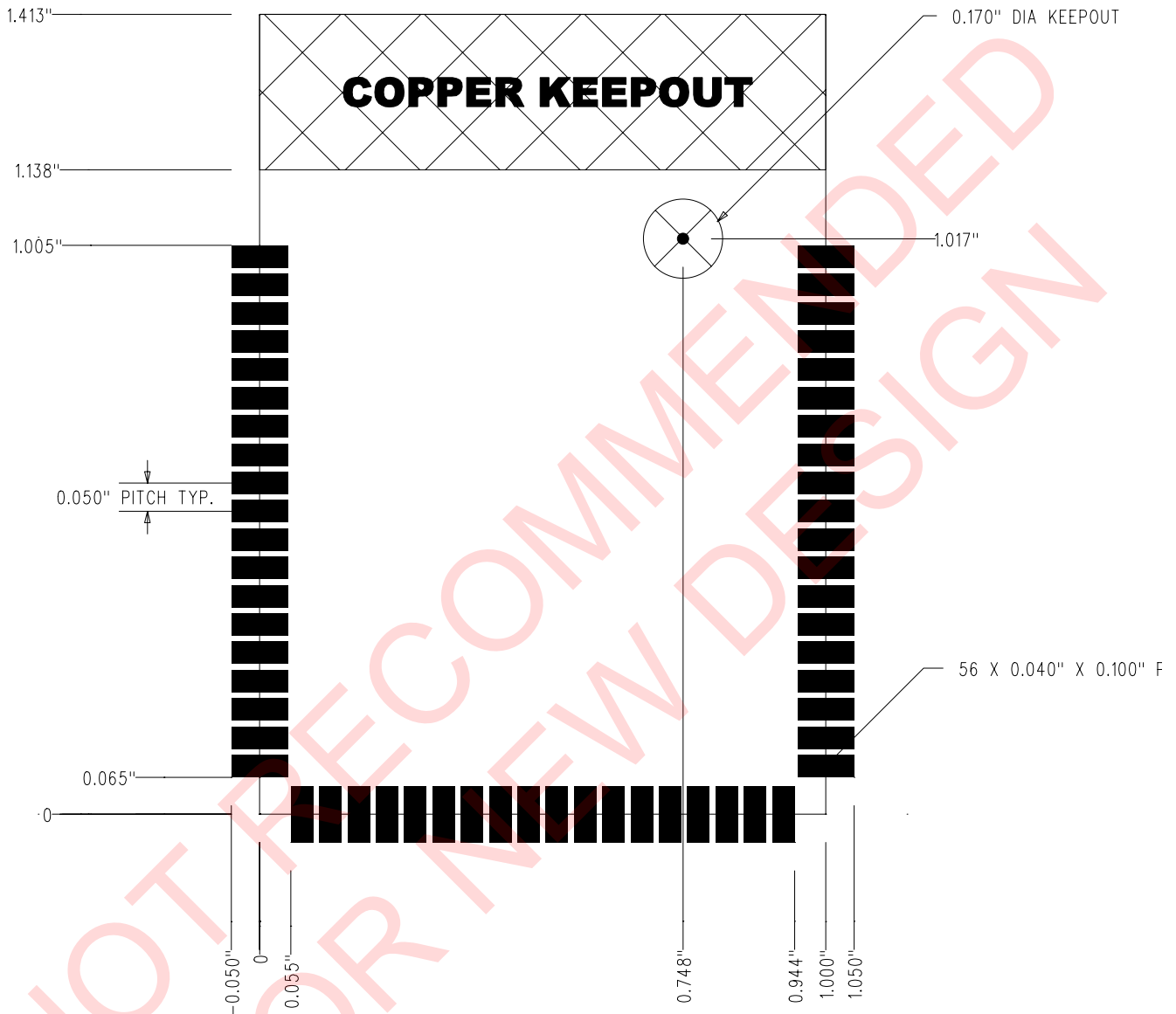
MeshConnect EM357 Module with U.FL Connector for external antenna



For layout recommendations for optimum antenna performance, refer to the Antenna Section in this document.

MODULE LAND FOOTPRINT

Note: Unless otherwise specified, dimensions are in inches [mm].



PROCESSING

Recommended Reflow Profile

| Parameters Values | |
|---------------------------------------|-------------|
| Ramp Up Rate (from Tsoakmax to Tpeak) | 3°/sec max |
| Minimum Soak Temperature | 150°C |
| Maximum Soak Temperature | 200°C |
| Soak Time | 60-120 sec |
| TLiquidus | 217°C |
| Time above TL | 60-150 sec |
| Tpeak | 250°C |
| Time within 5° of Tpeak | 20-30 sec |
| Time from 25° to Tpeak | 8 min max |
| Ramp Down Rate | 6°C/sec max |

Pb-Free Solder Paste

Use of “No Clean” soldering paste is strongly recommended, as it does not require cleaning after the soldering process.

Note: The quality of solder joints on the castellations (“half vias”) where they contact the host board should meet the appropriate IPC Specification. See the latest IPC-A-610 Acceptability of Electronic Assemblies, Castellated Terminations Section.

Cleaning

In general, cleaning the populated modules is strongly discouraged. Residuals under the module cannot be easily removed with any cleaning process.

- Cleaning with water can lead to capillary effects where water is absorbed into the gap between the host board and the module. The combination of soldering flux residuals and encapsulated water could lead to short circuits between neighboring pads. Water could also damage any stickers or labels.
- Cleaning with alcohol or a similar organic solvent will likely flood soldering flux residuals into the two housings, which is not accessible for post-washing inspection. The solvent could also damage any stickers or labels.
- Ultrasonic cleaning could damage the module permanently.

The best approach is to consider using a “No Clean” solder paste and eliminate the post-soldering cleaning step.

Optical Inspection

After soldering the module to the host board, consider optical inspection to check the following:

- Proper alignment and centering of the module over the pads
- Proper solder joints on all pads
- Excessive solder or contacts to neighboring pads or vias

Repeating Reflow Soldering

Only a single reflow soldering process is encouraged for host boards.

Wave Soldering

If a wave soldering process is required on the host boards due to the presence of leaded components, only a single wave soldering process is encouraged.

Hand Soldering

Hand soldering is possible. When using a soldering iron, follow IPC recommendations (reference document *IPC-7711*).

Rework

The MeshConnect Module can be unsoldered from the host board. Use of a hot air rework tool should be programmable and the solder joint and module should not exceed the maximum peak reflow temperature of 250°C.

Caution

If temperature ramps exceed the reflow temperature profile, module and component damage may occur due to thermal shock. Avoid overheating.

Warning

Never attempt a rework on the module itself, (e.g. replacing individual components). Such actions will terminate warranty coverage.

Additional Grounding

Attempts to improve module or system grounding by soldering braids, wires, or cables onto the module RF shield cover is done at the customer's own risk. The numerous ground pins at the module perimeter should be sufficient for optimum immunity to external RF interference.

AGENCY CERTIFICATIONS**FCC Compliance Statement (Part 15.19) Section 7.15 of RSS-GEN**

This device complies with Part 15 of the FCC Rules. Operation is subject to the following two conditions:

1. This device may not cause harmful interference.
2. This device must accept any interference received, including interference that may cause undesired operation.

Le présent appareil est conforme aux CNR d'Industrie Canada applicables aux appareils radio exempts de licence. L'exploitation est autorisée aux deux conditions suivantes:

1. l'appareil ne doit pas produire de brouillage, et
2. l'utilisateur de l'appareil doit accepter tout brouillage radioélectrique subi, même si le brouillage est susceptible d'en compromettre le fonctionnement.

Warning (Part 15.21)

Changes or modifications not expressly approved by CEL could void the user's authority to operate the equipment.

20 cm Separation Distance

To comply with FCC/IC RF exposure limits for general population/uncontrolled exposure, the antenna(s) used for this transmitter must be installed to provide a separation distance of at least 20 cm from all persons and must not be co-located or operating in conjunction with any other antenna or transmitter.

OEM Responsibility to the FCC Rules and Regulations

The MeshConnect Module has been certified per FCC Part 15 Rules for integration into products without further testing or certification. To fulfill the FCC Certification requirements, the OEM of the MeshConnect Module must

ensure that the information provided on the MeshConnect Label is placed on the outside of the final product. The MeshConnect Module is labeled with its own FCC ID Number. If the FCC ID is not visible when the module is installed inside another device, then the outside of the device into which the module is installed must also display a label referring to the enclosed module. The exterior label can use wording such as the following:

- Contains Transmitter Module FCC ID: W7Z-ZICM357P2
- Contains FCC ID: W7Z-ZICM357P2

The OEM of the MeshConnect Module must only use the approved antenna, (PCB Trace Antenna) that has been certified with this module. The OEM of the MeshConnect Module must test their final product configuration to comply with Unintentional Radiator Limits before declaring FCC Compliance per Part 15 of the FCC Rules.

IC Certification – Industry Canada Statement

The term "IC" before the Certification/Registration Number only signifies that the Industry Canada technical specifications were met.

Certification IC - Déclaration d'Industrie Canada

Le terme "IC" devant le numéro de Certification/D'enregistrement signifie seulement que les spécifications techniques Industrie Canada ont été respectées.

Section 14 of RSS-210

The installer of this radio equipment must ensure that the antenna is located or pointed such that it does not emit RF field in excess of Health Canada limits for the general population. Consult Safety Code 6, obtainable from Health Canada's website: http://www.hc-sc.gc.ca/ewh-semt/pubs/radiation/radio_guide-lignes_direct-eng.php

L'article 14 du CNR-210

Le programme d'installation de cet équipement radio doit s'assurer que l'antenne est située ou orientée de telle sorte qu'il ne pas émettre de champ RF au-delà des limites de Santé Canada pour la population générale. Consulter le Code de sécurité 6, disponible sur le site Web de Santé Canada: http://www.hc-sc.gc.ca/ewh-semt/pubs/radiation/radio_guide-lignes_direct-eng.php

CE Certification – Europe

The MeshConnect RF t has been tested and certified for use in the European Union.

OEM Responsibility to the European Union Compliance Rules

If the MeshConnect Module is to be incorporated into a product, the OEM must verify compliance of the final product to the European Harmonized EMC and Low-Voltage/Safety Standards. A Declaration of Conformity must be issued for each of these standards and kept on file as described in Annex II of the R&TTE Directive.

The manufacturer must maintain the User Guide and adhere to the settings described in the manual for maintaining European Union Compliance. If any of the specifications are exceeded in the final product, the OEM is required to make a submission to the notified body for compliance testing.

OEM Labeling Requirements

The CE mark must be placed on the OEM product in a visible location. The CE mark shall consist of the initials CE with the following form:

- If the CE marking is reduced or enlarged, the proportions given in the above graduated drawing must be adhered to.
- The CE mark must be a minimum of 5 mm in height.
- The CE marking must be affixed visibly, legibly, and indelibly. Since the 2400 - 2483.5 MHz band is not harmonized by a few countries throughout Europe, the Restriction sign must be placed to the right of the CE marking as shown in the picture.



Software Compliance

The ZICM357P2 Module requires software restrictions to meet agency certification requirements. These restrictions have been implemented in the sample application included with the Software Development Kit.

If a customer is not starting with the CEL Software Development Kit, they must implement these output power restrictions to use the ZICM357P2 FCC, IC or ETSI Certification:

| Certification | RF Channel | Valid TX Power Steps |
|---------------|------------|----------------------|
| FCC/IC | 11 - 23 | -43 to 8 |
| | 24 | -43 to -9 |
| | 25 | -43 to -20 |
| | 26 | Disabled |
| ETSI | 11 - 26 | -43 to -14 |

Note: The Software Development Kit does not implement the ETSI restrictions.

SHIPMENT, HANDLING, AND STORAGE

Shipment

The MeshConnect Modules are delivered in trays of 28.

Handling

The MeshConnect Modules are designed and packaged to be processed in an automated assembly line.

Warnings

The MeshConnect Modules contain highly sensitive electronic circuitry. Handling without proper ESD protection may destroy or damage the module permanently.

The MeshConnect Modules are moisture-sensitive devices. Appropriate handling instructions and precautions are summarized in J-STD-033. Read carefully to prevent permanent damage due to moisture intake.

Moisture Sensitivity Level (MSL)

MSL 3, per J-STD-033

Storage

Storage/shelf life in sealed bags is 12 months at < 40°C and < 90% relative humidity.

QUALITY

CEL's MeshConnect Modules offer the highest quality at competitive prices. Our modules are manufactured in compliance with the IPC-A-610 specification, Class II. Our modules go through JESD22 qualification processes which includes high temperature operating life tests, mechanical shock, temperature cycling, humidity and reflow testing. CEL conducts RF and DC factory testing on 100% of all production parts.

CEL builds the quality into our products, giving our customers confidence when integrating our products into their systems.

REFERENCES & REVISION HISTORY

References

| Reference Documents |
|--|
| EM35x Datasheet - Silicon Laboratories |

Revision History

| Previous Versions | Changes to Current Version | Page(s) |
|--|--|-----------|
| 0008-00-07-00-000 (Issue ES) October 14, 2010 | Initial preliminary datasheet. | N/A |
| 0008-00-07-00-000 (Issue A) January 21, 2011 | Updated RF Channels to 15 for FCC Certification. Updated Pin out table. Updated processing guidelines. | 1, 5 |
| 0008-00-07-00-000 (Issue B) April 8, 2011 | Added Software Compliance section, Quality and references to the sleep current variance Errata. | 5, 14, 15 |
| 0008-00-07-00-000 (Issue B) June 3, 2011 | Updated Software Compliance section. | 14 |
| 0008-00-07-00-000 (Issue C) February 24, 2012 | Added Companion Kit information, added Block Diagram for ZICM357P2-1-NF. | 1, 2, 4 |
| 0008-00-07-00-000 (Issue D) January 14, 2013 | Removed Development Kit information. | All |

Disclaimer

The information in this document is current as of the published date. The information is subject to change without notice. For actual design-in, refer to the latest publications of CEL Data Sheets or Data Books, etc., for the most up-to-date specifications of CEL products. Not all products and/or types are available in every country. Please check with an CEL sales representative for availability and additional information.

No part of this document may be copied or reproduced in any form or by any means without the prior written consent of CEL. CEL assumes no responsibility for any errors that may appear in this document.

CEL does not assume any liability for infringement of patents, copyrights or other intellectual property rights of third parties by or arising from the use of CEL products listed in this document or any other liability arising from the use of such products. No license, express, implied or otherwise, is granted under any patents, copyrights or other intellectual property rights of CEL or others.

Descriptions of circuits, software and other related information in this document are provided for illustrative purposes in semiconductor product operation and application examples. The incorporation of these circuits, software and information in the design of a customer's equipment shall be done under the full responsibility of the customer. CEL assumes no responsibility for any losses incurred by customers or third parties arising from the use of these circuits, software and information.

While CEL endeavors to enhance the quality, reliability and safety of CEL products, customers agree and acknowledge that the possibility of defects thereof cannot be eliminated entirely. To minimize risks of damage to property or injury (including death) to persons arising from defects in CEL products, customers must incorporate sufficient safety measures in their design, such as redundancy, fire-containment and anti-failure features.

For More Information

For more information about CEL MeshConnect products and solutions, visit our website at www.cel.com/MeshConnect.