

D

C

B

A

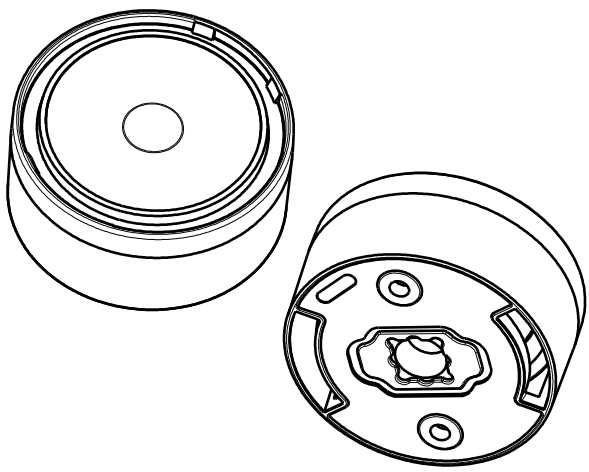
4

3

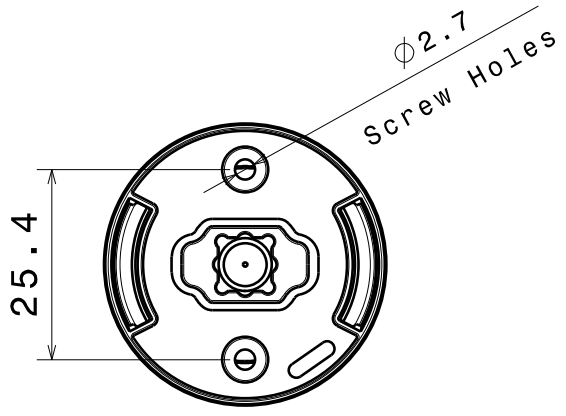
2

1

1

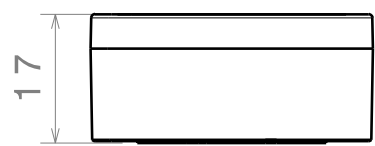


Isometric view



Ø2.7
Screw Holes

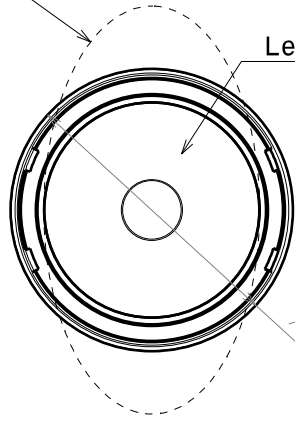
25.4



17

Front view

Oval beam direction



Lens

Ø37.7

Top view

Materials:
 Lens PMMA
 Holder PC, BLACK

This drawing is our property.
 It can't be reproduced
 or communicated without
 our written agreement.



Ledil Oy
 Tehdaskatu 13
 FIN-24100 SALO
 Finland

DRAWING TITLE

Datasheet EVA-LUXEON-M Assembly

DRAWN BY mav	DATE 12.4.2012
-----------------	-------------------

CHECKED BY sn	DATE 12.4.2012
------------------	-------------------

DESIGNED BY pl	DATE 17.02.2011
-------------------	--------------------

SIZE A4	DRAWING NUMBER	REV 1
SCALE 2:1	WEIGHT (g)	SHEET 1/1

D

A