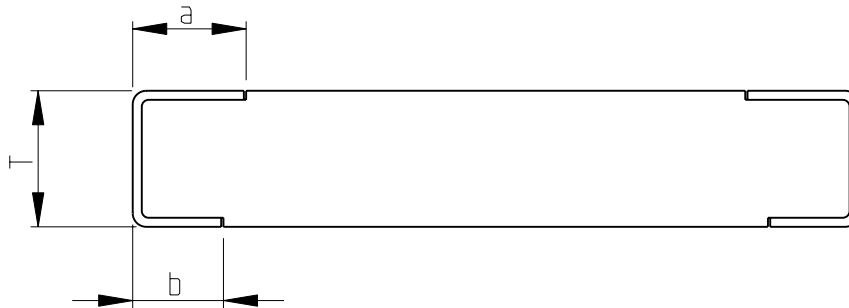
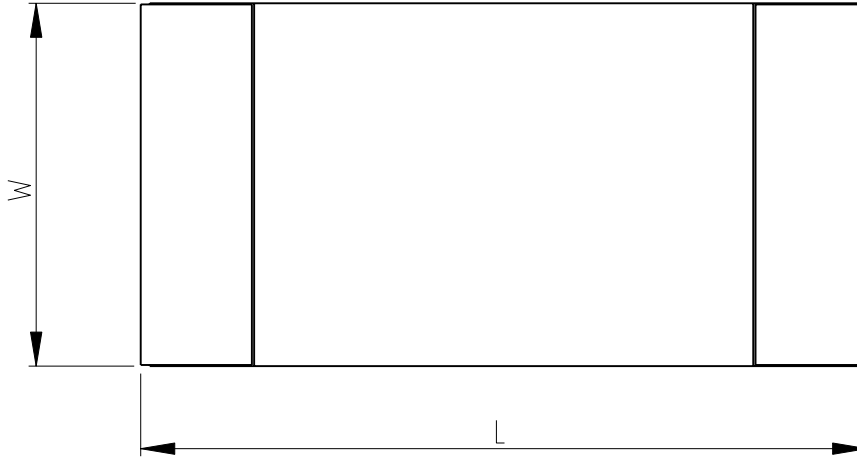
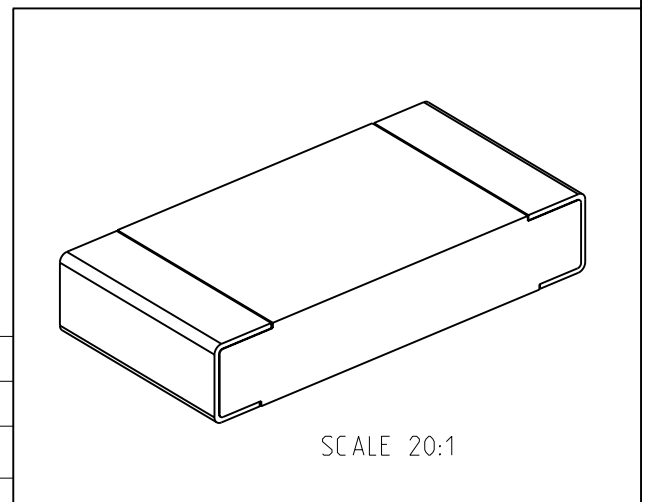


LOC	DIST	REVISIONS					
E	B	P	LTR	DESCRIPTION	DATE	DWN	APVD
				BA1 REVISED PER ECO-11-005150	29MAR2011	RK	HMR

FOR FURTHER INFORMATION SEE DATA SHEET FOR FCR SERIES-FUSIBLE CHIP RESISTORS



RoHS Compliant



2010	5.0±0.2	2.5±0.2	0.6±0.1	0.5±0.3	0.4+0.2/-0.1
1206	3.2±0.2	1.6±0.2	0.6±0.1	0.5±0.3	0.5±0.25
STYLE	L	W	T	a	b


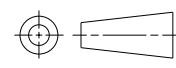
2008

RELEASED FOR PUBLICATION

ALL RIGHTS RESERVED.

© COPYRIGHT 2008

THIS DRAWING IS UNPUBLISHED.

DIMENSIONS:		DWN	04-DEC-08	MATERIAL	-	FINISH	-	
mm		SUBHASH.M		 TE Connectivity				
TOLERANCES UNLESS OTHERWISE SPECIFIED:		CHK	04-DEC-08					
0 PLC ± 0.2		PRAKASH.S						
1 PLC ± 0.1		APVD	04-DEC-08					
2 PLC ± -		STEPHEN.P		NAME				
3 PLC ± -		PRODUCT SPEC	-	FUSIBLE CHIP RESISTORS				
4 PLC ± -		APPLICATION SPEC	-	SERIES FCR				
ANGLES ± 5°		WEIGHT	-	SIZE	CAGE CODE	DRAWING NO	RESTRICTED TO	
				A 4	00779	©- 1879229	-	
CUSTOMER DRAWING					SCALE	30:1	SHEET 1 OF 1	REV BA1