

Antenna - TC ANT MOBILE WALL 5M - 2702273

Please be informed that the data shown in this PDF Document is generated from our Online Catalog. Please find the complete data in the user's documentation. Our General Terms of Use for Downloads are valid (<http://phoenixcontact.com/download>)




Multiband mobile communication antenna with mounting bracket for outdoor installation, 5 m antenna cable with SMA circular connector, suitable for LTE/4G

Why buy this product

- Optional wall or mast mounting

Key Commercial Data

Packing unit	1 STK
GTIN	 4 055626 070186
GTIN	4055626070186

Technical data

Dimensions

Caption	Wall mounting
Height	82 mm
Diameter	48 mm
Fixed cable length	5.00 m

Ambient conditions

Ambient temperature (operation)	-40 °C ... 80 °C
---------------------------------	------------------

General

With connecting cable	yes
Frequency range	700 MHz
	800 MHz
	850 MHz
	900 MHz
	1800 MHz
	1900 MHz

Antenna - TC ANT MOBILE WALL 5M - 2702273

Technical data

General

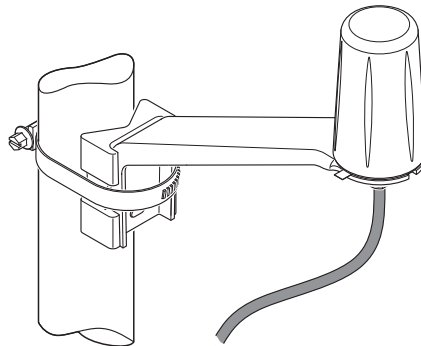
	2100 MHz
	2600 MHz
Polarization	vertical
Impedance	50 Ω
Gain	3 dBi (700 / 800 MHz)
	4 dBi (900/1800 MHz)
	5 dBi (1900 ... 2600 MHz)
Connection method	SMA (male)
Fixed cable length	5.00 m
Material	ABS (Antenna housing)
Mounting type	Mast mounting or wall mounting

Environmental Product Compliance

China RoHS	Environmentally friendly use period: unlimited = EFUP-e
	No hazardous substances above threshold values

Drawings

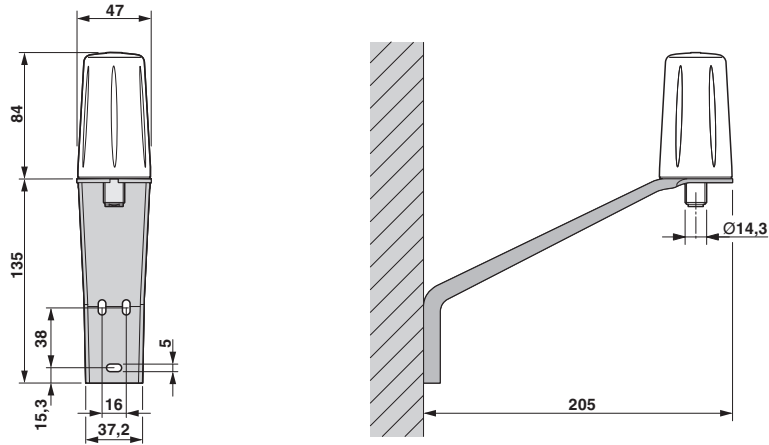
Schematic diagram



Mast mounting

Antenna - TC ANT MOBILE WALL 5M - 2702273

Dimensional drawing



Wall mounting

Phoenix Contact 2018 © - all rights reserved
<http://www.phoenixcontact.com>

PHOENIX CONTACT GmbH & Co. KG
Flachsmarktstr. 8
32825 Blomberg
Germany
Tel. +49 5235 300
Fax +49 5235 3 41200
<http://www.phoenixcontact.com>