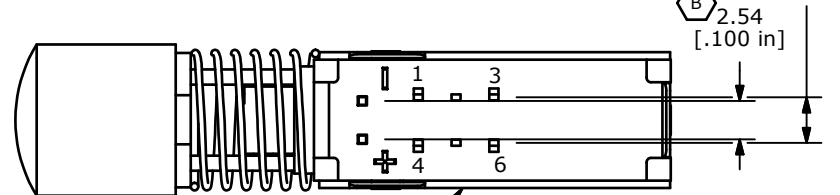
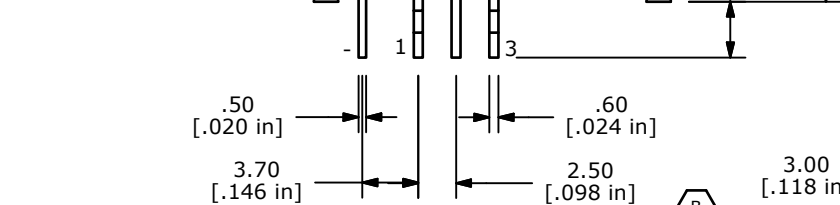
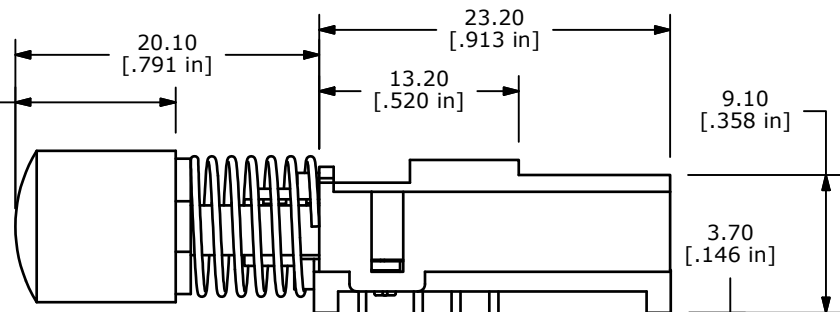
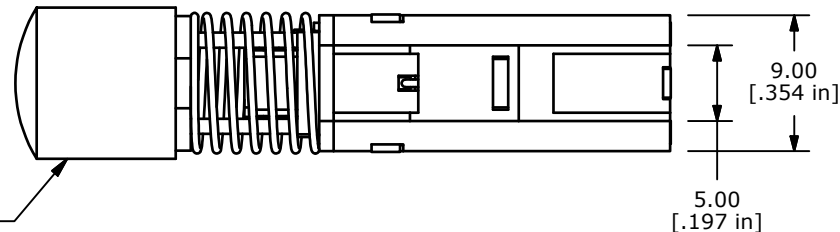
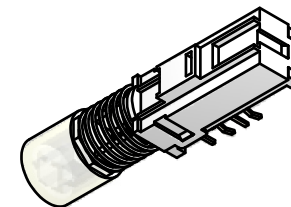


▲ R05 BUTTON  
TRANSPARENT  
(B410000)



▲ WBL2UEERGQ  
(B400005)



NOTES:

1. ALL DIMENSIONS IN MM [INCH]
2. GENERAL TOLERANCE: x.x=±0.4mm  
x.xx=±0.25mm
3. RATING: DC 30V, 0.3A
4. OPERATING FORCE: 200±100gf
5. TRAVEL: 3.5mm FULL TRAVEL  
2.5mm TO LOCK
6. LIFE CYCLES: 10,000 CYCLES
7. OPERATING TEMPERATURE: -20°C TO 70°C
8. CONTACT RESISTANCE: 200mΩ MAX.
9. INSULATION RESISTANCE: 100MΩ MIN@ 500VDC.
- ▲10. LED COLOR: RED / GREEN
11. ▲ DENOTES CRITICAL PARAMETER.
12. 2002/95/EC (RoHS) COMPLIANT.

LED SPECS	UNITS	RED	GREEN
FORWARD CURRENT	mA	20	20
FORWARD VOLTAGE @20mA	V	1.7 Typ-2.6 Max	1.7 Typ - 2.6 Max
LUMINOUS INTENSITY @ 10mA	MCD	1.6-2.6	4.7 - 7.8



TITLE		WBL2UEERGQR05CLR		
SCALE	DATE	DR	DWG	REV
2	4/2/2010	rc	XB0925P	C

THE INFORMATION CONTAINED IN THIS DOCUMENT IS PROPRIETARY TO E-SWITCH AND IS NOT TO BE COPIED OR TRANSFERRED

C	19872	EDIT LED CIRCUIT	4/25/11	BGL
B	19824	CORRECT CIRCUIT/PCB LAYOUT, ADD DIM	04/07/11	BMA
A	18981	Release For Production	4/2/10	BLR
REV	PCR NO	DESCRIPTION	DATE	BY