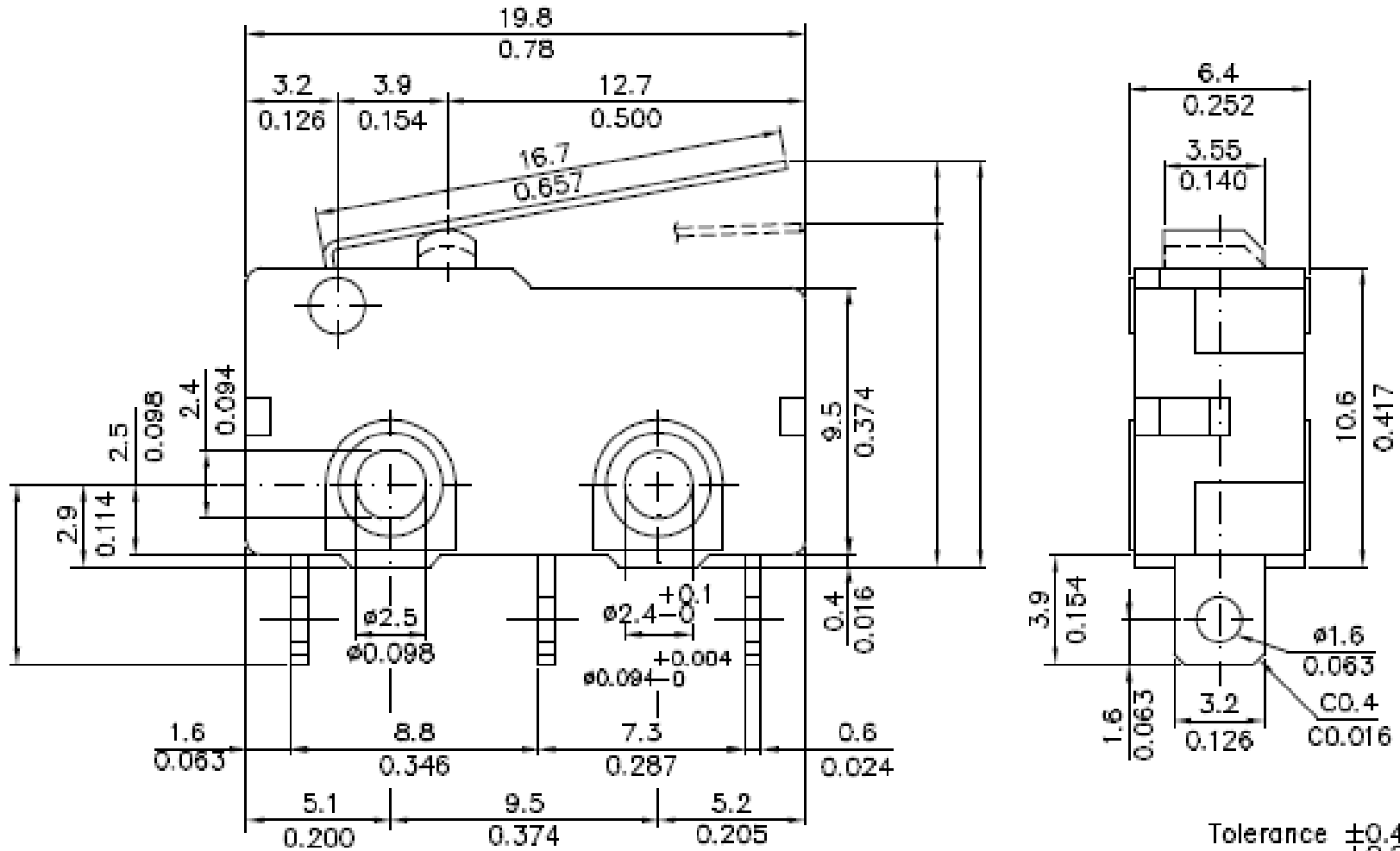


ZM50B10B01



Tolerance ± 0.4 mm
 ± 0.016 inch

REV	DATE	APPROVAL	DESIGN	ADD DIMS UNITS	ENGINEERING CHANGE DESCRIPTION
???????????					Honeywell

DATE	APP'D	CHK'D	REV	QTY	REP./TECH
JUN 10 2002	Dick	CONFIRM	2	FILE NAME	SM660HAF
			Leon	DESIGN	Tiger