

4

3

2

1

D

D

C

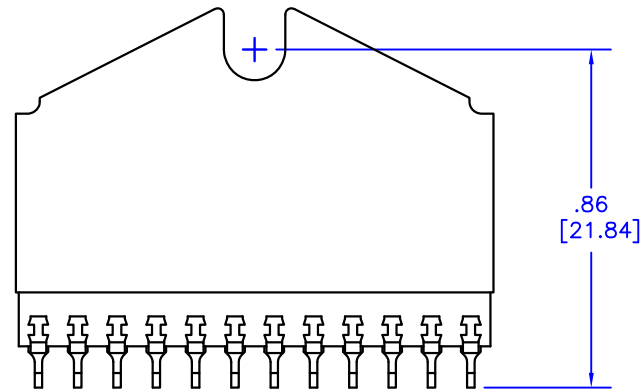
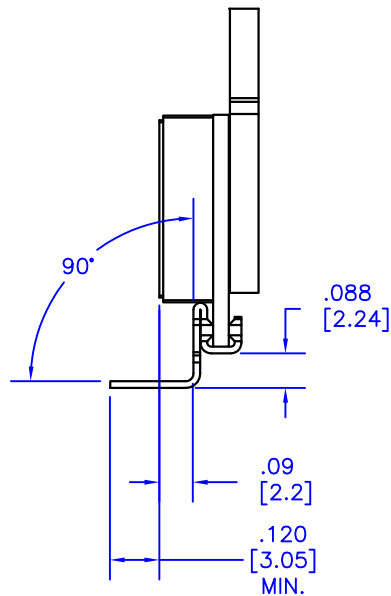
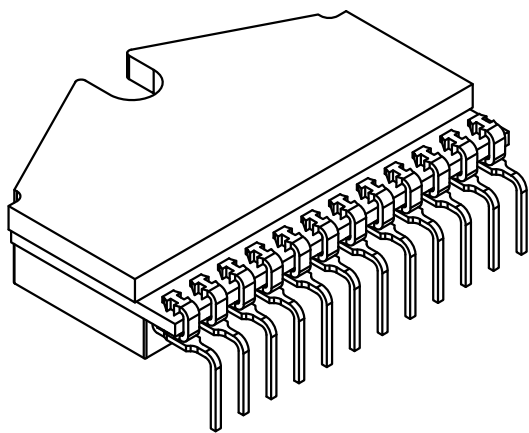
C

B

B

A

A



NOTES:

- 1. Dimensions are inches & [mm].
- 2. For other dimensions and information on this package with unformed leads, see package DP.

TOLERANCES - UNLESS OTHERWISE SPECIFIED						TITLE: 12-pin SIP, 90° FORMED LEADS		MODEL: EE	
.XX = ±.01 [.254] .XXX = ±.005 [.127] ANG. = ±5°						SUBJECT: PACKAGE OUTLINE		ENGINEER: RER	
				SH. 1 OF 1		FILENAME: EE		REV: D	
						DATE: 29MAY13			

4

3

2

1