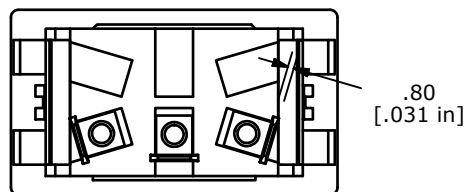
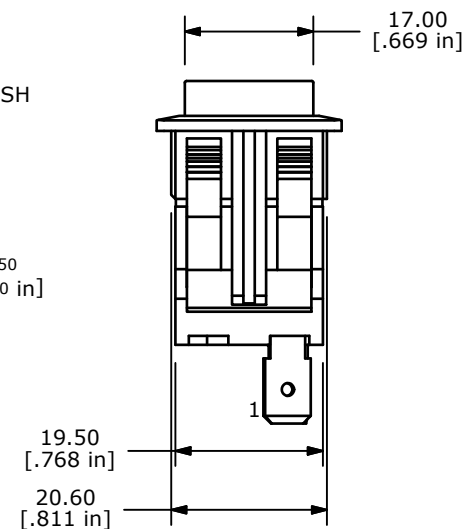
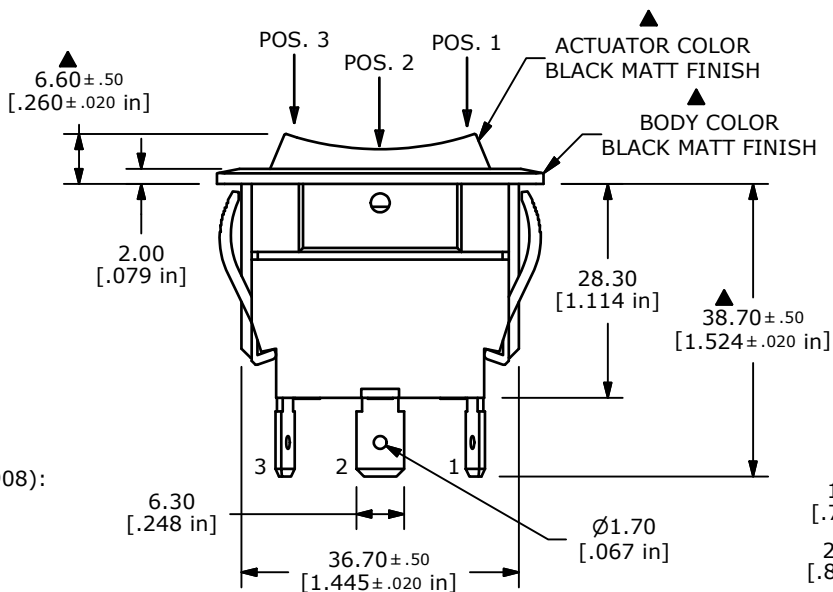
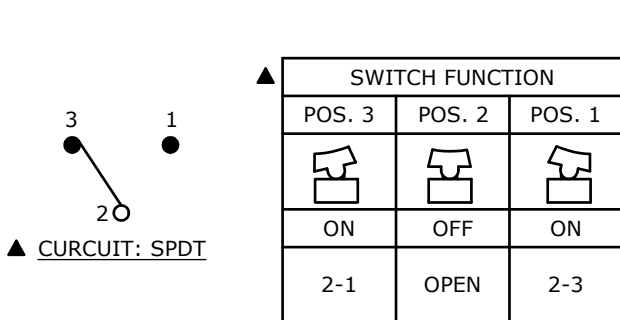
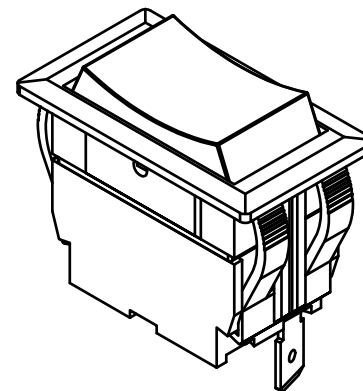
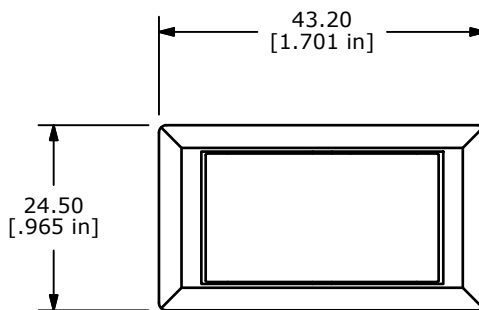


SUGGESTED PANNEL CUTOUT
MAX PANEL THICKNESS 6.0mm



NOTES:

- ALL DIMESNSIONS IN MM [INCH]
- GENERAL TOLERANCE: X.X=± 0.4
X.XX=± 0.25
- RATINGS: ANSI/UL 508 AND CAN/CSA C22.2 NO.14 (E195908):
20A, 125VAC [cURus]
15A, 277VAC [cURus]
2HP, 110/250VAC [cURus]
- CONTACT RESISTANCE: 50 mΩ MAX. @ 50VAC
- INSULATION RESISTANCE: 800 MΩ MIN. @ 500VDC
- OPERATING TEMPERATURE: -20°C TO +65°C [cURus, CSA]
-20°C TO +125°C [VDE]
- ELECTRICAL LIFE: 6,000 [cURus]
- DIELECTRIC STRENGTH: 1,500V FOR 1 MINUTE
- OPERATING TEMPERATURE: -20°C TO 55°C [cURus]
- INGRESS PROTECTION: IP54
- ▲ DENOTES CRITICAL PARAMETER
- 2002/95/EC (RoHS) COMPLIANT.



B	20444	CORRECT 2HP RATING	1/31/12	BGL
A	20421	RELEASE FOR PRODUCTION	1/24/12	BGL
REV	PCR NO	DESCRIPTION	DATE	BY

TITLE RVW45D1100				
SCALE 1:1	DATE 1/24/2012	DR BGL	DWG 34-RVW45D1100	REV B

THE INFORMATION CONTAINED IN THIS DOCUMENT IS PROPRIETARY TO E-SWITCH AND IS NOT TO BE COPIED OR TRANSFERRED