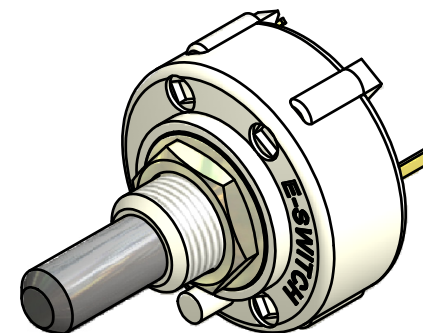
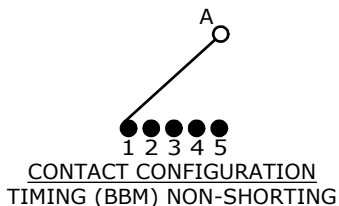
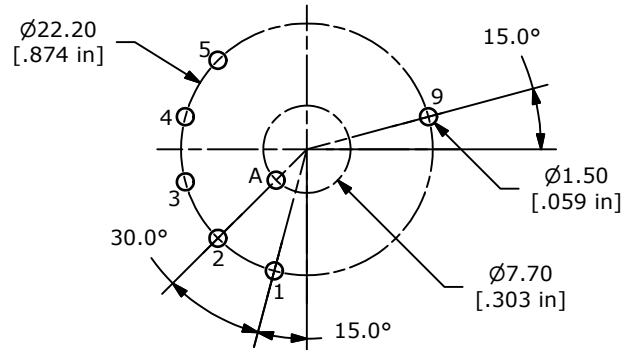
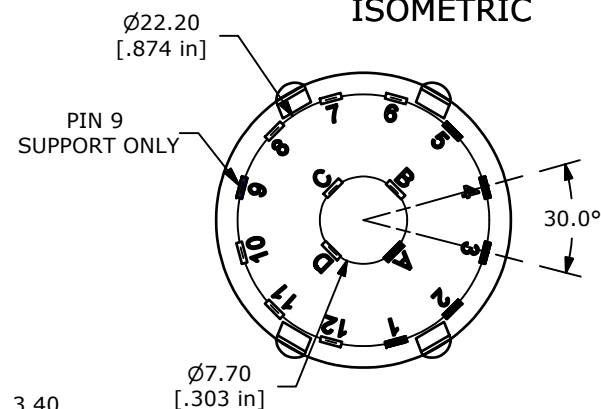


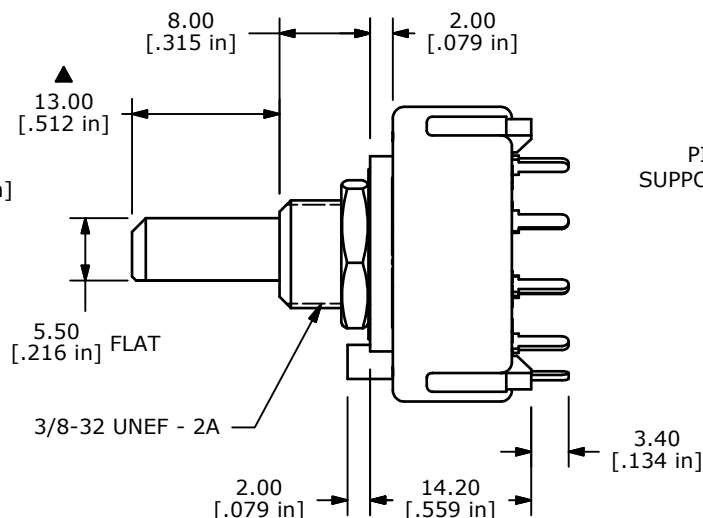
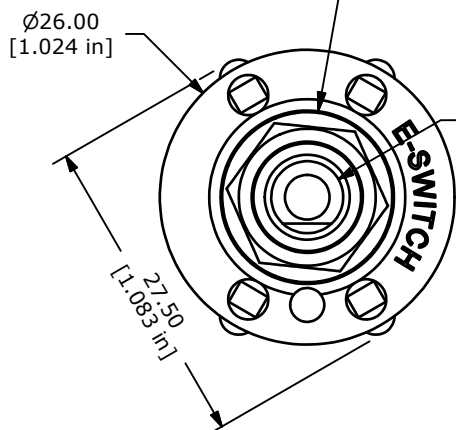
PCB LAYOUT



ISOMETRIC



HARDWARE SUPPLIED ON SWITCH



NOTE:

1. ALL DIMENSIONS IN MM[INCH].
2. GENERAL TOLERANCE: X.X=± 0.4  
X.XX=± 0.25
3. TERM. NOS. FOR REFERENCE ONLY.
4. CONTACT MATERIAL: GOLD FLASH
5. CONTACT RATING: 150MILLIAMP, 250VAC/DC  
350MILLIAMP, 110VAC/DC
6. CONTACT RATING (NON-SWITCHING) 5A
7. OPERATING FORCE 425± 100CM/STANDARD
8. OPERATING TEMP: -30°C TO 85°C
- ▲ 9. CIRCUIT SP: 5 POSITION 30° INDEX.
10. DIELECTRIC STRENGTH: 1000V RMS MIN.@ SEA LEVEL.
- ▲ 11. HARDWARE SUPPLIED ON SWITCH:  
STOP RING, LOCKWASHER, HEXNUT
12. ▲ DENOTES CRITICAL PARAMETER.



TITLE KC15A13.001NPF

A	14282	RELEASED FOR PRODUCTION	9/1/04	BGL
REV	PCR NO	DESCRIPTION	DATE	BY

SCALE	DATE	DR	DWG	REV
1.5:1	8/29/2011	BGL	G510612	A

THE INFORMATION CONTAINED IN THIS DOCUMENT IS PROPRIETARY TO E-SWITCH AND IS NOT TO BE COPIED OR TRANSFERRED