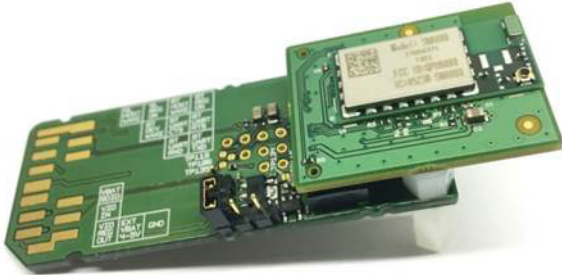


SN8000CMK

Wi-Fi Module Evaluation Kit



The SN8000 is a certified 2.4 GHz IEEE 802.11b/g/n Wi-Fi module based on the Broadcom BCM43362 chipset. SN8000 is designed to fit indoor and outdoor sensor and control applications. It integrates Wi-Fi IC, RF front end, temperature compensated crystal (TCXO) and an on-board antenna. The module dimensions are 24 x 11.4 x 2.0 mm.

The SN8000 module is an ideal solution for home automation, industrial control, Smart Energy, medical and healthcare applications with or without cloud services.

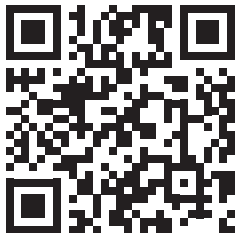
The SN8000CM Kit is designed to facilitate customer evaluation and software development for the Freescale i.MX6 platform.

The module and evaluation kit are available from Murata distribution partners.

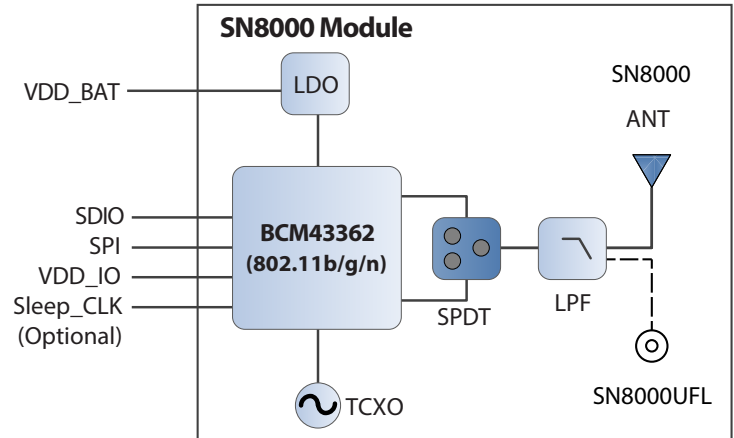
A footprint compatible version with U.FL connector, SN8000UFL, is also available for use with an external antenna.

SN8000 Module Features

- ▀ 2.4 GHz IEEE 802.11b.g.n
- ▀ Chipset:Broadcom BCM43362 Wi-Fi
- ▀ Supports WPA/WPA2 Security
- ▀ Linux and Android native support from i.MX6 BSP
- ▀ FCC/IC and ETSI Certified
- ▀ RoHS2 Compliant



Module Block Diagram



Module Specifications

Technology	2.4GHz IEEE802.11b/g/n
Antenna Configuration	On-board or U.FL Connector
Transmit Power	+18.5 dBm@b mode/11Mbps
Max Receive Sensitivity	-96dBm
Host Interface	UART, SPI
Operating Temperature	-86°C to +85°C

SN8000 Module Applications

- ▀ Home Automation & Home Energy Management Systems
- ▀ Smart Appliances
- ▀ Industrial Control and Monitoring
- ▀ Medical and Healthcare

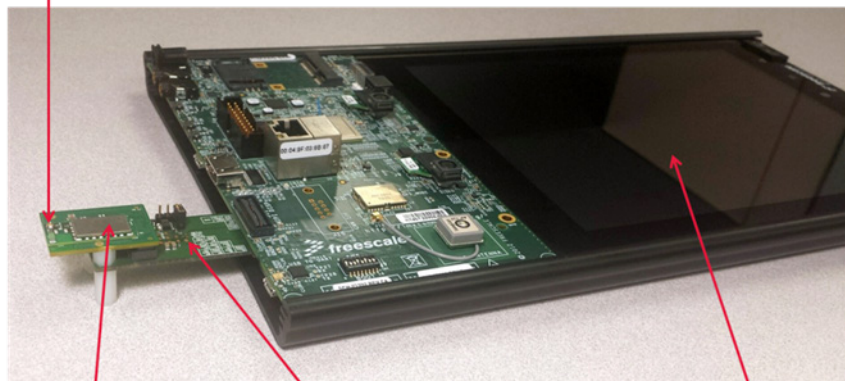




Evaluation Board Features

- ▶ FCC/IC/ETSI certified IEEE802.11b/g/n module
- ▶ Supports standard SDIO card interface
- ▶ Supports QSH-030-01-LDA 60-pin connector
- ▶ Includes both SN8000 and SN8000UFL modules
- ▶ Well verified driver software for i.MX6 platform

2.4 GHz Chip Antenna & RF Switch Connector



SN8000 (BCM433362)

Murata Custom Interconnect
SDIO to 60PIN Adapter

i.MX6Q/DL Sabre Smart

Module Ordering Information

Model Number	Part Number
SN8000	88-00153-00
SN8000UFL	88-00153-02

Evaluation Kit Ordering Information

Model Number	Part Number
SN8000CMK	88-00153-90

