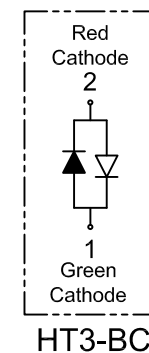
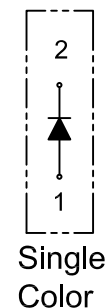
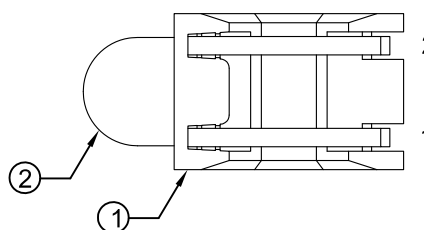
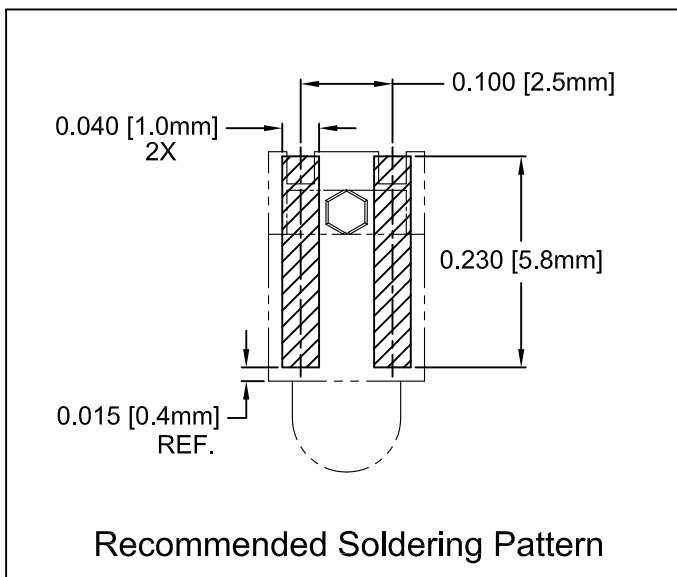
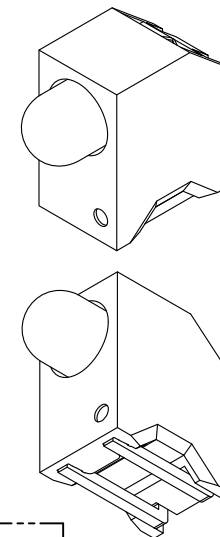
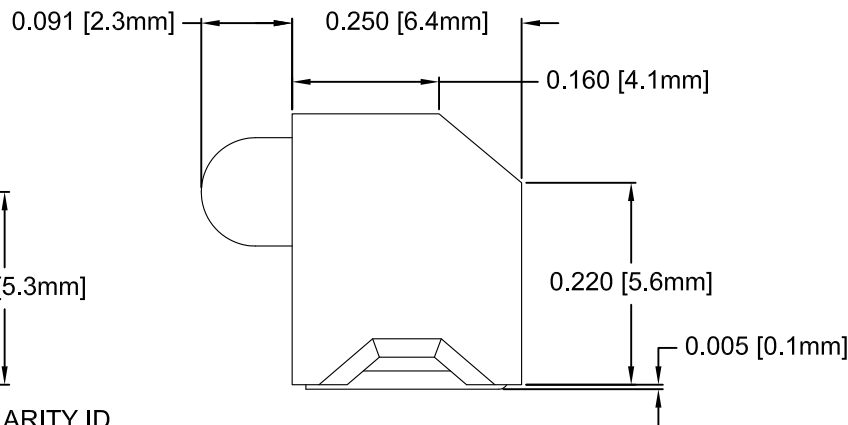
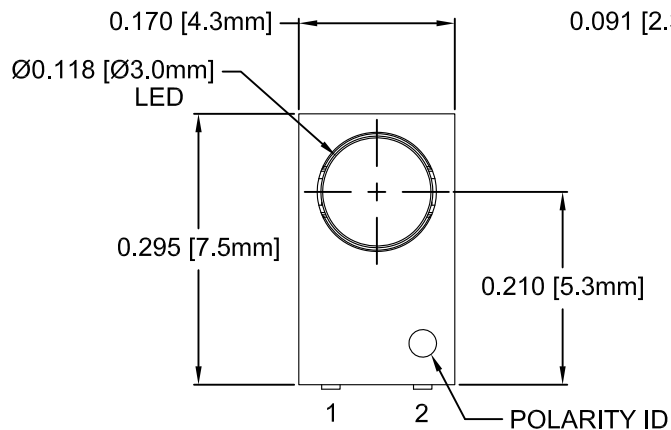


ITEM	Q'TY	PART NUMBER	PART DESCRIPTION
1	1	HT3	T1 (3mm) High Temperature Single Level Holder, 90° Mount
2	1	BDL-XXXX	T1 (3mm) N-Flange LED, See Page 2

REV.	DESCRIPTION	DATE	APPROVED
B	Engineering Release	04/19/11	T. Y.



## ABSOLUTE MAXIMUM RATINGS (Ta=25° C)

REVERSE VOLTAGE _____	5V
REVERSE CURRENT _____	100uA
OPERATING TEMPERATURE RANGE _____	-25° C - 85° C
STORAGE TEMPERATURE _____	-30° C - 100° C
LEAD SOLDERING TEMPERATURE (1/16" FROM BODY) _____	260° C FOR 5 SECONDS

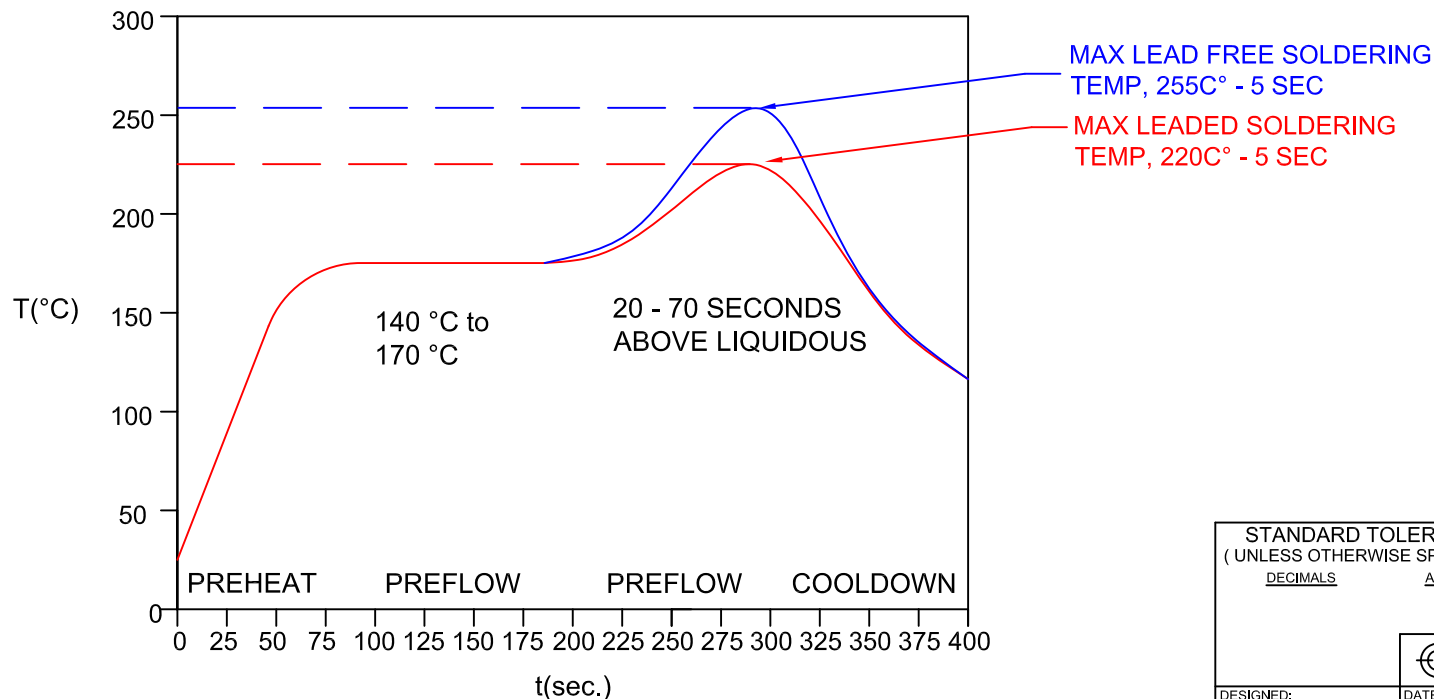
STANDARD TOLERANCE (UNLESS OTHERWISE SPECIFIED)		 <b>BIVAR</b> <sup>®</sup> 4 THOMAS, IRVINE, CA. 92618 TEL: (949) 951-8808 FAX: (949) 951-3974	<b>TITLE:</b> T1 (3mm) SMT 90° SURFACE MOUNT LED
DECIMALS	ANGULAR		
.X ± .1	X° ± 1°		<b>PART NO:</b> HT3-XXX <b>REVISION:</b> B
.XX ± .02			
.XXX ± .010			
DESIGNED: <b>Raffy Paje</b>	DATE: <b>03/09/10</b>	<b>CAGE CODE:</b> 32559 <b>SHEET # 1 OF 2</b>	
CHECKED: <b>T. Yin</b>	DATE: <b>03/09/10</b>	CAD GENERATED DOCUMENT, DO NOT MEASURE DRAWING.	

REV.	DESCRIPTION	DATE	APPROVED
	SEE SHEET #1		

### AVAILABLE CONFIGURATIONS

Assy P/N	Emitted Color	Peak Wave Length $\lambda_p$ (nm)	Lens Appearance	Absolute Max. Ratings			Vf (V)		Iv (mcd)	Viewing Angle 2 $\theta_{1/2}$ (Deg)	LED P/N
				Pd (mW)	If (mA)	Peak If (mA)	TYP	MAX	TYP		
<b>STANDARD SINGLE COLOR LED ASSEMBLIES (20mA)</b>											
HT3-BLU	BLUE	430	DIFFUSED	150	25	70	4.0	4.5	10	40	BDL-1358
HT3-GRN	GREEN	568		80	30	150	2.1	2.8	25	40	BDL-1355
HT3-RED	HE RED	625		80	30	150	2.0	2.8	30	40	BDL-1356
HT3-YEL	YELLOW	590		85	30	150	2.0	2.8	20	40	BDL-1357
<b>STANDARD BI-COLOR LED ASSEMBLIES (20mA)</b>											
HT3-BC	RED	625	WHITE DIFFUSED	80	30	150	2.0	2.8	6	45	BDL-1351
	GREEN	568		80	30	150	2.1	2.8	6		

### CONVECTIVE REFLOW SOLDERING PROFILE



NOTES:  
1. ADDITIONAL LED OPTICAL / ELECTRICAL DATA AVAILABLE @ WWW.BIVAR.COM.

STANDARD TOLERANCE ( UNLESS OTHERWISE SPECIFIED ) DECIMALS      ANGULAR		<b>BIVAR</b> <sup>®</sup> 4 THOMAS, IRVINE, CA. 92618 TEL: (949) 951-8808    FAX: (949) 951-3974	
		T1 (3mm) SMT 90° SURFACE MOUNT LED	
DESIGNED: <b>Raffy Paje</b>	DATE: <b>03/09/10</b>	PART NO: <b>HT3-XXX</b>	REVISION: <b>B</b>
CHECKED: <b>T. Yin</b>	DATE: <b>03/09/10</b>	CAGE CODE : <b>32559</b>	SHEET # <b>2 OF 2</b>
CAD GENERATED DOCUMENT, DO NOT MEASURE DRAWING.			