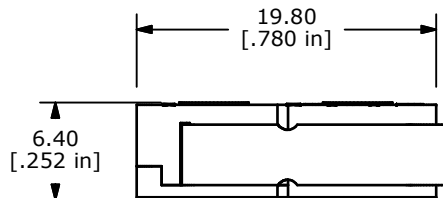
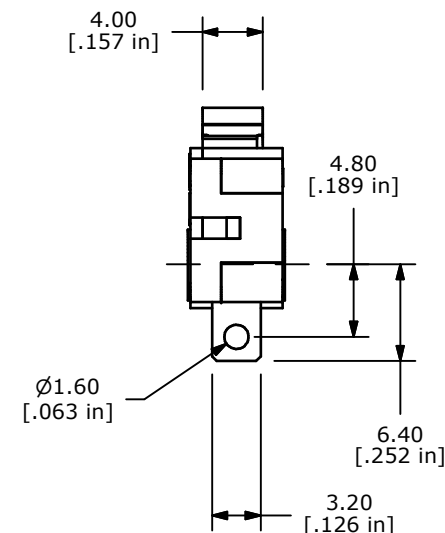
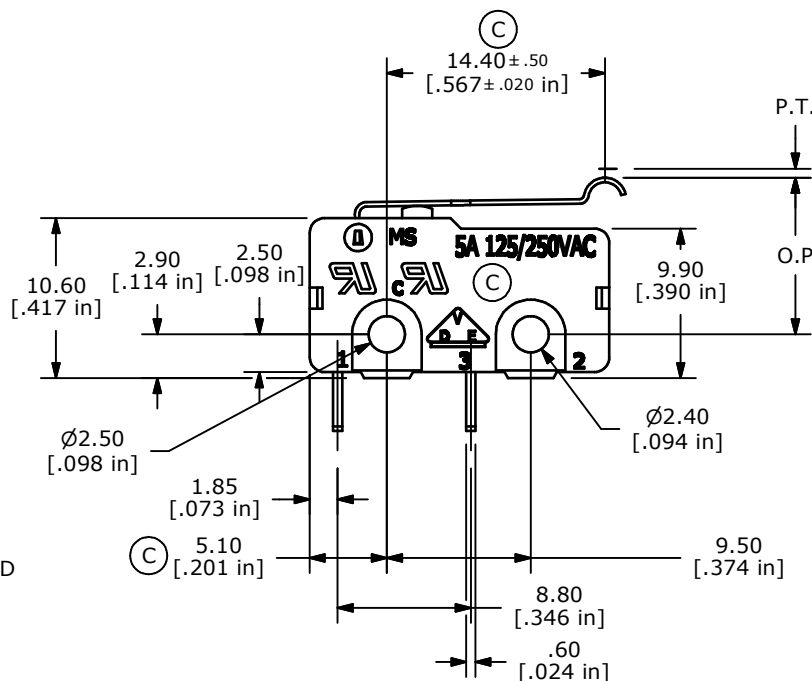
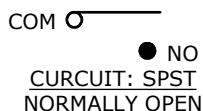


ISOMETRIC



O.P. (MM)	P.T. (MM)
10.9 ± 1.0	3.2 MAX.

O.P. = OPERATING POINT  
P.T. = PRE-TRAVEL



- NOTES:
1. ALL DIMENSIONS IN MM [INCH]
  2. GENERAL TOLERANCE: X.X ± 0.4  
X.XX ± 0.25
  3. RATING: 5A @125/250VAC UL, CUL, VDE APPROVED
  - ▲ 4. OPERATING FORCE: 20 ± 8 GRAMS
  5. OPERATING TEMP: -25°C TO 85°C
  6. ELECTRICAL LIFE: 50,000 CYCLES MIN. (C)
  7. MECHANICAL LIFE: 1,000,000 CYCLES TYP. (C)
  8. INSULATION RESISTANCE: 100 MEGA-OHMS (C)
  9. DIELECTRIC STRENGTH: 1000VAC 1 MINUTE (INITIAL VALUE)
  10. CONTACT RESISTANCE: 100 MILLI-OHMS MAX.
  11. 2002/95/EC (ROHS) COMPLIANT
  12. ▲ DENOTES CRITICAL PARAMETER.

C	15665	CHANGES NOTED	1/5/06	PH
B	15554	EDIT CIRCUIT	11/23/05	PH
A	15340	RELEASED FOR PRODUCTION	9/27/05	PH
REV	PCR NO	DESCRIPTION	DATE	BY



TITLE MS0850504F020S1C				
SCALE 2:1	DATE 9/27/2005	DR PH	DWG Q970037	REV C

THE INFORMATION CONTAINED IN THIS DOCUMENT IS PROPRIETARY TO E-SWITCH AND IS NOT TO BE COPIED OR TRANSFERRED