

CASE FINISH	CURRENT (AMPS)	WORKING VOLTAGE				MAXIMUM DC RESISTANCE (OHMS)	MAXIMUM VOLTAGE DROP		MINIMUM CAPACITANCE (uF)	MIN. INSERTION LOSS PER MIL-STD-220, FULL LOAD, +25°C												
		-55°C TO +85°C		-55°C TO +125°C			DC	AC		14 KHz	30 KHz	50 KHz	75 KHz	100 KHz	150 KHz	300 KHz	500 KHz	1 MHz	10 MHz	100 MHz	1 GHz	10 GHz
		AC	DC	AC	DC																	
SOLDER	15	---	--	-----	50	0.008	0.12	---	1.4uF	--	15	---	--	--	28	33	---	40	40	70	70	---

PART MARKING:

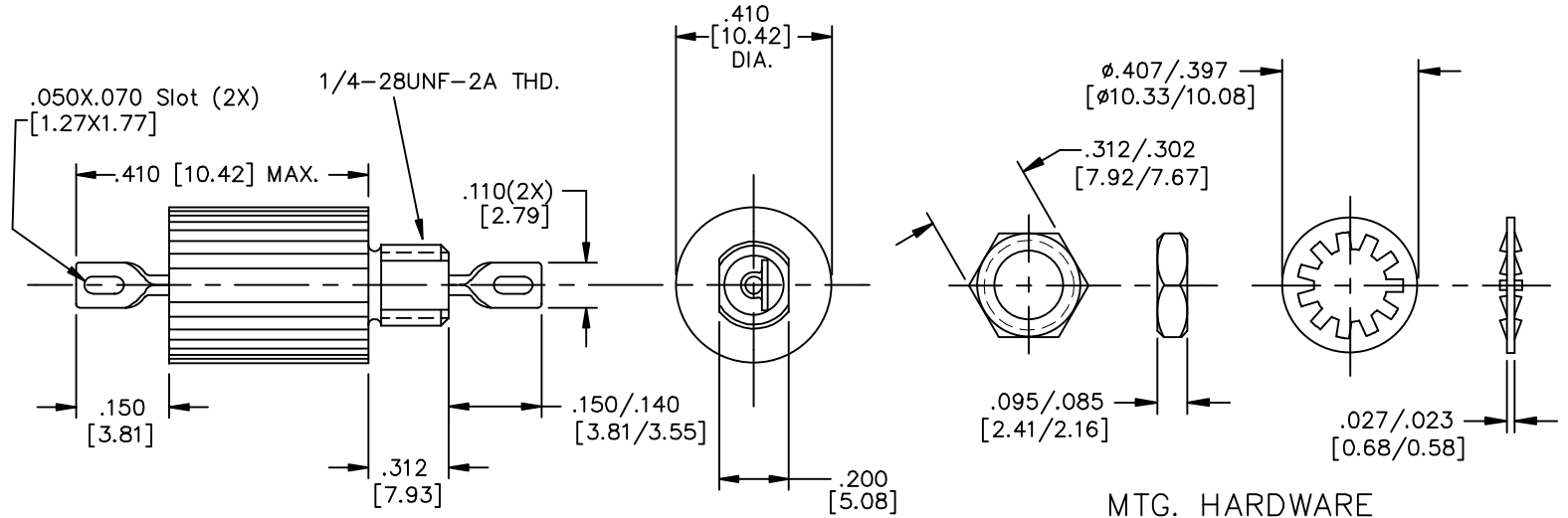
J M28861/01-011TB
L OLSP2 DATE CODE

PACKAGE MARKING:

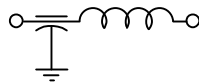
J M28861/01-011TB
OLSP2 DATE CODE
50VDC 15AMP 51-359-086
QTY.

MARKING NOTES:

N/A



SCHMATIC



NOTES:

1. MOUNTING TORQUE NOT TO EXCEED 7in-lbs.
2. THIS PART CODED "NCA". API TECHNOLOGIES DOES NOT HAVE CHANGE AUTHORITY. CUSTOMER APPROVAL REQUIRED BEFORE PRODUCT/PROCESS CHANGES CAN BE MADE.

REV. NO.	CHANGE NOTICE	UNLESS OTHERWISE SPECIFIED DIMENSIONS ARE IN INCHES. [MILLIMETERS] DO NOT SCALE.	TOLERANCES UNLESS OTHERWISE SPECIFIED Fractions ± Dec. .xx± Dec. .xxx±.010 Angles ±0° 30'	api technologies corp.	FAIRVIEW PENNSYLVANIA
30	CN 63743-ENG			Dwn. KAUFFMAN	Description Low Pass EMI Filter
29	CN 204680			Date 5-15-12	
28	CN 186058				51-359-086
27	CN. 176701			Sheet 1 of 1	
26	CN. 175582				

Quality Products From The Specialists In Electro-Magnetic Compatibility