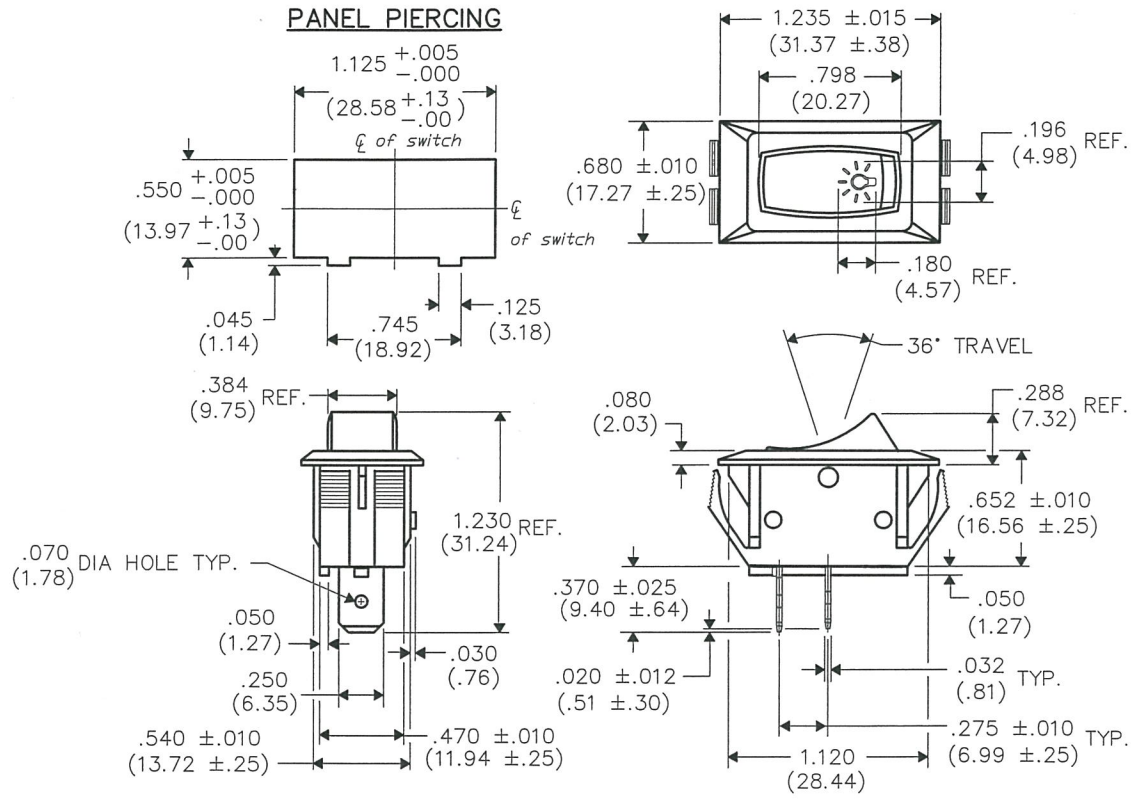


F
D
C
B
A

THIS INFORMATION IS CONFIDENTIAL AND PROPRIETARY TO CV INDUSTRIES INCORPORATED AND ITS AFFILIATES. IT MAY NOT BE DISCLOSED TO ANYONE OTHER THAN CV INDUSTRIES PERSONNEL, WITHOUT WRITTEN AUTHORIZATION FROM CV INDUSTRIES INCORPORATED, SOUTHAMPTON, PENNSYLVANIA, USA.



U.L. LISTED
8A. 125VAC
4A. 250VAC

1 2 3 4 5 6 7 8 9 10

FORM-B4	REVISIONS
0	RELEASED. DWG 12-16-2008 DEC. 17, 2008
1	REDRAWN. REMOVED RAD. ON BOTTOM OF CLAW AND FROM TITLE BLOCK. DWG 5-31-2012 G.G. JUN 04 2012

1	2	3	4	5	6	7	8	9	10
---	---	---	---	---	---	---	---	---	----

CW INDUSTRIES
Southampton, Pa. 18966

TOLERANCES UNLESS OTHERWISE SPECIFIED	
2 Place Decimal ±.010	METRIC
3 Place Decimal ±.005	1 Place Dec. ±.25mm
Angles ±1°	2 Place Dec. ±.13mm

Made for: CW IND.
Drawn by: DWG 12-16-2008
Checked by: G. Gold 6-1-12
Approval: G. Gold 6-1-12

Title: **ROCKER ASSEMBLY
S.P.S.T., POLARIZED
1.125" x .550" PANEL**

Division: **SWITCH**

Dwg. No. **GRSH-2011-2008**

MASTER