

C1608X8L1C684K080AC

TDK Item Description : C1608X8L1C684KT****

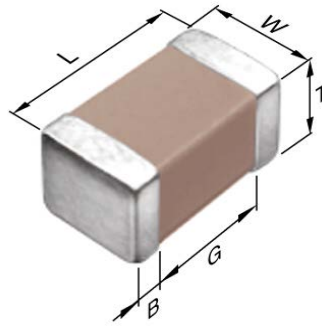


Application & Main Feature

Commercial Grade (High Temperature Application)

Series

C1608 [EIA 0603]



Dimensions

L	1.60mm +/-0.1mm
W	0.80mm +/-0.1mm
T	0.80mm +/-0.1mm
B	0.20mm Min.
G	0.30mm Min.

Temperature Characteristic

X8L (-55 to 150 degC +15,-40%)

Rated Voltage

1C(16Vdc)

Capacitance

680nF

Capacitance Tolerance

K (+/-10%)

Dissipation Factor

5% Max.

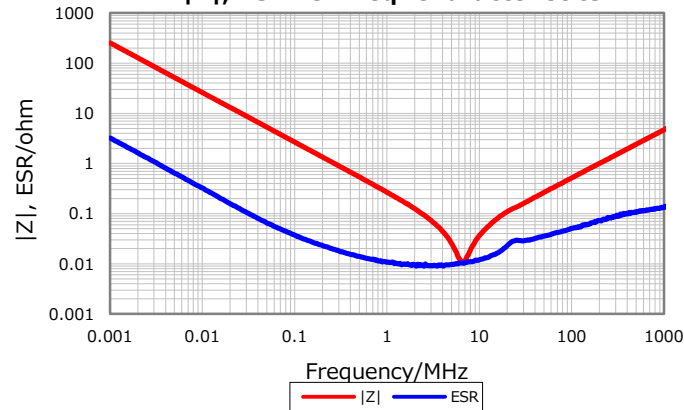
Insulation Resistance

147Mohm Min.

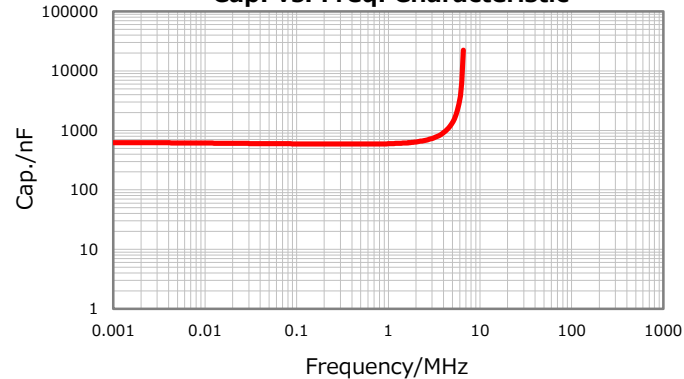
AEC-Q200

Not Applicable

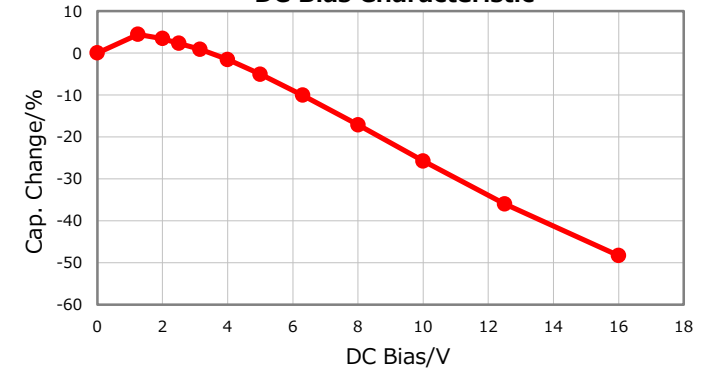
|Z|, ESR vs. Freq. Characteristics



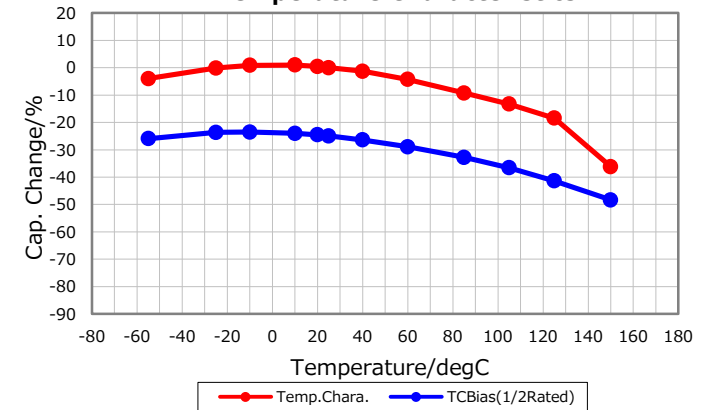
Cap. vs. Freq. Characteristic



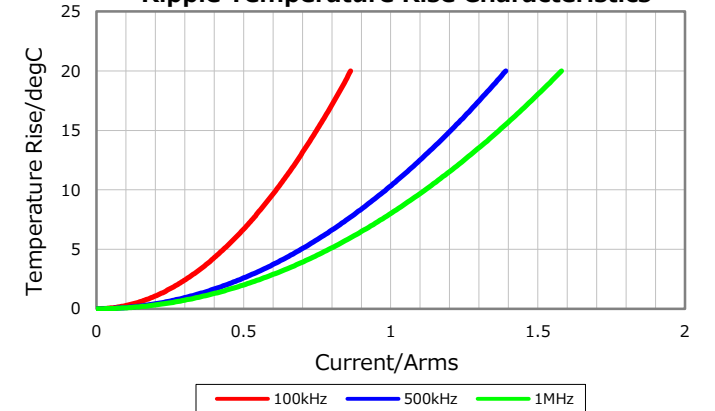
DC Bias Characteristic



Temperature Characteristics



Ripple Temperature Rise Characteristics



Characterization Sheet (Multilayer Ceramic Chip Capacitors)



All specifications are subject to change without notice.

June 19, 2017