

### Description

The 9SQL4954 is a member of IDT's 'Lite' family of server clocks. It generates 4 100MHz outputs that exceed the requirements of the CK420BQ CPU/SRC clocks. Each output has its own OE# pin for clock management and supports 2 different spread spectrum levels in addition to spread off. It also provides a copy of the 25MHz internal XO. The 9SQL4954 supports PCIe Common Clock (CC) and Independent Reference Clock (IR) architectures.

### Recommended Application

PCIe Gen1, Gen2, Gen3, Gen4 Server Clock

### Output Features

- 4 -100MHz Low-power HCSL (LP-HCSL) CPU/SRC pairs
- Integrated terminations for 85Ω Zout
- 1 - 3.3V LVCMOS REF output w/Wake-On-LAN (WOL) support

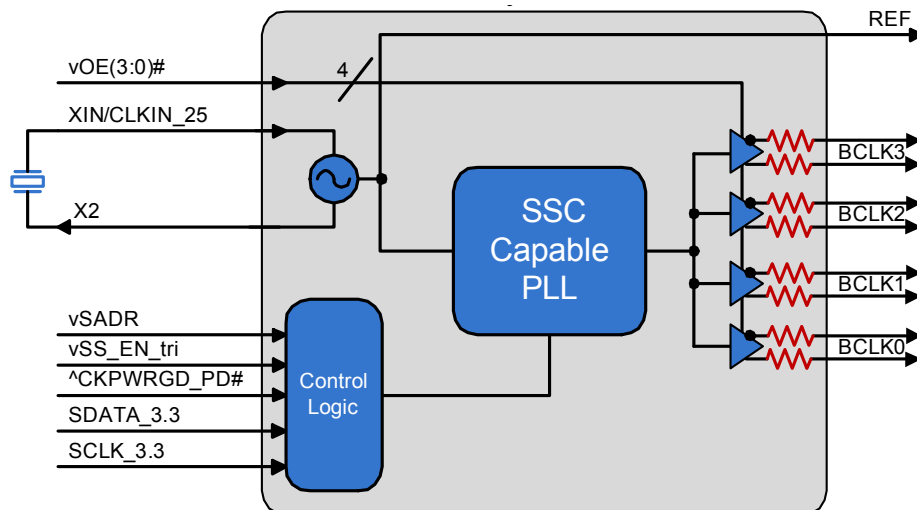
### Key Specifications

- BCLK outputs:
  - Cycle-to-cycle jitter <50ps
  - Output-to-output skew <50ps
  - PCIe Gen1, Gen2, Gen3, Gen4 CC compliant
  - PCIe Gen2, Gen3 IR compliant
  - QPI/UPI compliant
  - SAS12G compliant (SSC off)
  - 12k-20M phase jitter <2ps rms (SSC off)
- REF output:
  - Phase jitter <200fs rms (SSC off)
- ±50ppm frequency accuracy on all clocks

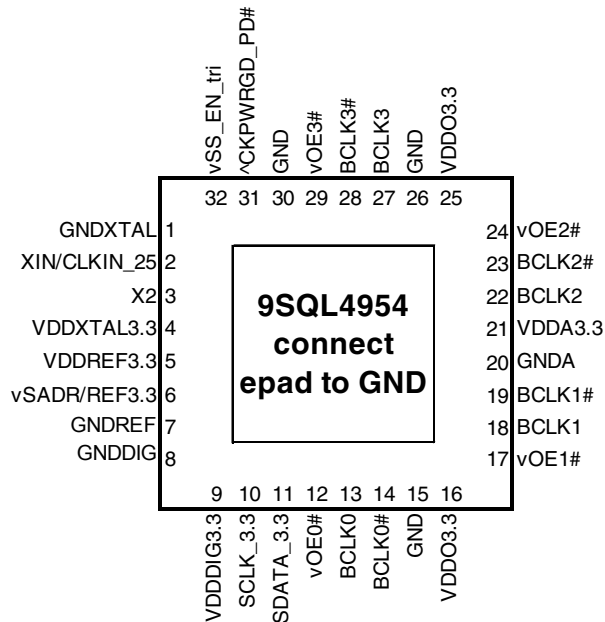
### Features/Benefits

- Direct connection to 85Ω transmission lines; saves 16 resistors and 27mm<sup>2</sup> compared to standard HCSL
- 142mW typical power consumption; eases thermal concerns @ 1/10 the power of CK420BQ
- Contains default configuration; SMBus interface not required for device operation
- OE# pins; support BCLK power management
- 25MHz input frequency; standard crystal frequency
- 25MHz REF output; eliminates XO from board
- Pin/SMBus selectable 0%, -0.25% or -0.5% spread on DIF outputs; minimize EMI and phase jitter for each application
- BCLK outputs blocked until PLL is locked; clean system start-up
- Two selectable SMBus addresses; multiple devices can easily share an SMBus segment
- Space saving 32-pin 5x5mm VFQFPN; minimal board space

### Block Diagram



## Pin Configuration



### 32-pin VFQFPN, 5x5 mm, 0.5mm pitch

^ prefix indicates internal 120KOhm pull up resistor  
v prefix indicates internal 120KOhm pull down resistor

### SMBus Address Selection Table

	SADR	Address	+ Read/Write Bit
State of SADR on first application of CKPWRGD_PD#	0	1101000	x
	1	1101010	x

### Power Management Table

CKPWRGD_PD#	SMBus OE bit	OEx# Pin	BCLKx		REF
			True O/P	Comp. O/P	
0	X	X	Low <sup>1</sup>	Low <sup>1</sup>	Hi-Z <sup>2</sup>
1	1	0	Running	Running	Running
1	1	1	Disabled <sup>1</sup>	Disabled <sup>1</sup>	Running
1	0	X	Disabled <sup>1</sup>	Disabled <sup>1</sup>	Disabled <sup>4</sup>

- The output state is set by B11[1:0] (Low/Low default)
- REF is Hi-Z until the 1st assertion of CKPWRGD\_PD# high. After this, when CKPWRGD\_PD# is low, REF is disabled unless Byte3[5]=1, in which case REF is running..
- Input polarities defined at default SMBus values.
- See SMBus description for Byte 3, bit 4

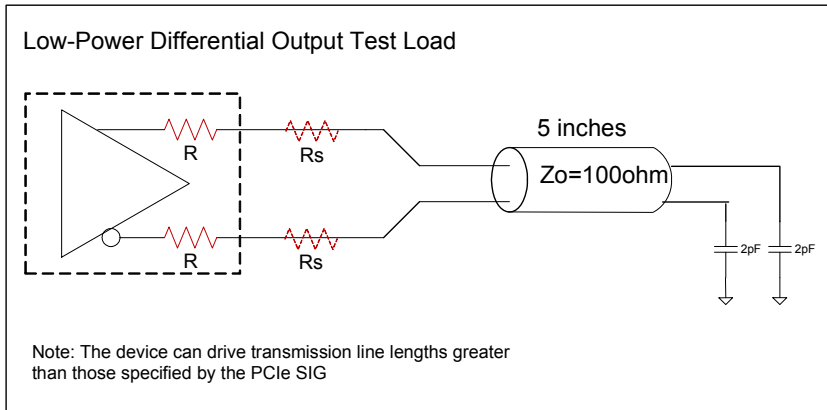
### Power Connections

Pin Number	VDD	GND	Description
4	1		XTAL Analog
5		7	REF Output
9		8, 30	Digital Power
16, 25		15, 26, 33	BCLK outputs
21		20	PLL Analog

## Pin Descriptions

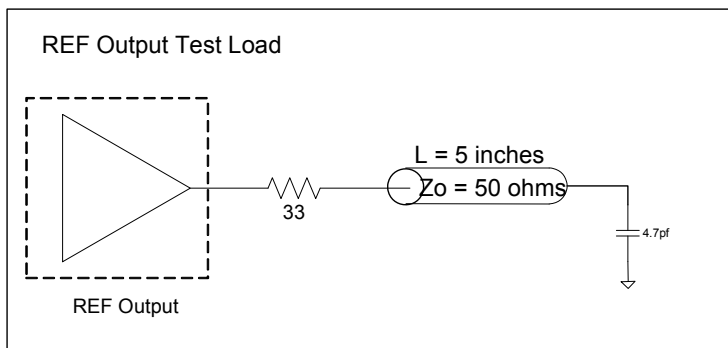
Pin#	Pin Name	Type	Pin Description
1	GNDXTAL	GND	GND for XTAL
2	XIN/CLKIN_25	IN	Crystal input or Reference Clock input. Nominally 25MHz.
3	X2	OUT	Crystal output.
4	VDDXTAL3.3	PWR	Power supply for XTAL, nominal 3.3V
5	VDDREF3.3	PWR	VDD for REF output. nominal 3.3V.
6	vSADR/REF3.3	LATCHED I/O	Latch to select SMBus Address/3.3V LVCMOS copy of X1/REFIN pin
7	GNDREF	GND	Ground pin for the REF outputs.
8	GNDDIG	GND	Ground pin for digital circuitry
9	VDDDIG3.3	PWR	3.3V digital power (dirty power)
10	SCLK_3.3	IN	Clock pin of SMBus circuitry, 3.3V tolerant.
11	SDATA_3.3	I/O	Data pin for SMBus circuitry, 3.3V tolerant.
12	vOE0#	IN	Active low input for enabling output 0. This pin has an internal 120kohm pull-down. 1 =disable outputs, 0 = enable outputs
13	BCLK0	OUT	True output of differential BCLK.
14	BCLK0#	OUT	Complement output of differential BCLK.
15	GND	GND	Ground pin.
16	VDDO3.3	PWR	Power supply for outputs,nominal 3.3V.
17	vOE1#	IN	Active low input for enabling output 1. This pin has an internal 120kohm pull-down. 1 =disable outputs, 0 = enable outputs
18	BCLK1	OUT	True output of differential BCLK.
19	BCLK1#	OUT	Complement output of differential BCLK.
20	GND A	GND	Ground pin for the PLL core.
21	VDDA3.3	PWR	3.3V power for the PLL core.
22	BCLK2	OUT	True output of differential BCLK.
23	BCLK2#	OUT	Complement output of differential BCLK.
24	vOE2#	IN	Active low input for enabling output 2. This pin has an internal 120kohm pull-down. 1 =disable outputs, 0 = enable outputs
25	VDDO3.3	PWR	Power supply for outputs,nominal 3.3V.
26	GND	GND	Ground pin.
27	BCLK3	OUT	True output of differential BCLK.
28	BCLK3#	OUT	Complement output of differential BCLK.
29	vOE3#	IN	Active low input for enabling output 3. This pin has an internal 120kohm pull-down. 1 =disable outputs, 0 = enable outputs
30	GND	GND	Ground pin.
31	^CKPWRGD_PD#	IN	Input notifies device to sample latched inputs and start up on first high assertion. Low enters Power Down Mode, subsequent high assertions exit Power Down Mode. This pin has internal 120kohm pull-up resistor.
32	vSS_EN_tri	LATCHED IN	Latched select input to select spread spectrum amount at initial power up : 1 = -0.5% spread, M = -0.25%, 0 = Spread Off
33	ePAD	GND	Connect to ground

## Test Loads



### Terminations

Zo ( $\Omega$ )	Rs ( $\Omega$ )
85	0
100	7.5



## Alternate Terminations

The 9SQL family can easily drive LVPECL, LVDS, and CML logic. See [“AN-891 Driving LVPECL, LVDS, and CML Logic with IDT's "Universal" Low-Power HCSL Outputs”](#) for details.

## Absolute Maximum Ratings

Stresses above the ratings listed below can cause permanent damage to the 9SQL4954. These ratings, which are standard values for IDT commercially rated parts, are stress ratings only. Functional operation of the device at these or any other conditions above those indicated in the operational sections of the specifications is not implied. Exposure to absolute maximum rating conditions for extended periods can affect product reliability. Electrical parameters are guaranteed only over the recommended operating temperature range.

PARAMETER	SYMBOL	CONDITIONS	MIN	TYP	MAX	UNITS	NOTES
3.3V Supply Voltage	VDDxxx	Applies to all VDD pins	-0.5		3.9	V	1,2
Input Voltage	V <sub>IN</sub>		-0.5		V <sub>DD</sub> + 0.5V	V	1, 3
Input High Voltage, SMBus	V <sub>IHSMB</sub>	SMBus clock and data pins			3.9	V	1
Storage Temperature	T <sub>s</sub>		-65		150	°C	1
Junction Temperature	T <sub>j</sub>				125	°C	1
Input ESD protection	ESD prot	Human Body Model	2500			V	1

<sup>1</sup>Guaranteed by design and characterization, not 100% tested in production.

<sup>2</sup>Operation under these conditions is neither implied nor guaranteed.

<sup>3</sup>Not to exceed 4.5V.

## Electrical Characteristics–SMBus Parameters

TA = T<sub>AMB</sub>; Supply Voltages per normal operation conditions, See Test Loads for Loading Conditions

PARAMETER	SYMBOL	CONDITIONS	MIN	TYP	MAX	UNITS	NOTES
SMBus Input Low Voltage	V <sub>ILSMB</sub>	V <sub>DD</sub> SMB = 3.3V			0.8	V	
SMBus Input High Voltage	V <sub>IHSMB</sub>	V <sub>DD</sub> SMB = 3.3V	2.1		3.6	V	
SMBus Output Low Voltage	V <sub>OLSMB</sub>	@ I <sub>PULLUP</sub>			0.4	V	
SMBus Sink Current	I <sub>PULLUP</sub>	@ V <sub>OL</sub>	4			mA	
Nominal Bus Voltage	V <sub>DD</sub> SMB		2.7		3.6	V	
SCLK/SDATA Rise Time	t <sub>RSMB</sub>	(Max V <sub>IL</sub> - 0.15) to (Min V <sub>IH</sub> + 0.15)			1000	ns	1
SCLK/SDATA Fall Time	t <sub>FSMB</sub>	(Min V <sub>IH</sub> + 0.15) to (Max V <sub>IL</sub> - 0.15)			300	ns	1
SMBus Operating Frequency	f <sub>SMBMAX</sub>	Maximum SMBus operating frequency			500	kHz	

<sup>1</sup>Guaranteed by design and characterization, not 100% tested in production.

## Electrical Characteristics–Input/Supply/Common Parameters–Normal Operating Conditions

TA = T<sub>AMB</sub>; Supply Voltages per normal operation conditions, See Test Loads for Loading Conditions

PARAMETER	SYMBOL	CONDITIONS	MIN	TYP	MAX	UNITS	NOTES
Supply Voltage	VDD <sub>XXX</sub>	Supply voltage for core, analog and single-ended LVCMOS outputs.	3.135	3.3	3.465	V	
Ambient Operating Temperature	T <sub>AMB</sub>	Industrial range	-40	25	85	°C	
Input High Voltage	V <sub>IH</sub>	Single-ended inputs, except SMBus	0.75xV <sub>DD</sub>		V <sub>DD</sub> +0.3	V	
Input Mid Voltage	V <sub>IM</sub>	Single-ended tri-level inputs ('_tri' suffix)	0.4xV <sub>DD</sub>	0.5 V <sub>DD</sub>	0.6xV <sub>DD</sub>	V	
Input Low Voltage	V <sub>IL</sub>	Single-ended inputs, except SMBus	-0.3		0.25xV <sub>DD</sub>	V	
Input Current	I <sub>IN</sub>	Single-ended inputs, V <sub>IN</sub> = GND, V <sub>IN</sub> = VDD	-5		5	uA	
	I <sub>INP</sub>	Single-ended inputs V <sub>IN</sub> = 0 V; Inputs with internal pull-up resistors V <sub>IN</sub> = VDD; Inputs with internal pull-down resistors	-200		200	uA	
Input Frequency	F <sub>in</sub>	XTAL, or X1 input		25		MHz	
Pin Inductance	L <sub>pin</sub>				7	nH	1
Capacitance	C <sub>IN</sub>	Logic Inputs	1.5		5	pF	1
	C <sub>OUT</sub>	Output pin capacitance			6	pF	1
Clk Stabilization	T <sub>STAB</sub>	From V <sub>DD</sub> Power-Up and after input clock stabilization or de-assertion of PD# to 1st clock			1.8	ms	1,2
SS Modulation Frequency	f <sub>MOD</sub>	Allowable Frequency (Triangular Modulation)	30	31.6	33	kHz	1
OE# Latency	t <sub>LATOE#</sub>	BCLK start after OE# assertion BCLK stop after OE# deassertion	1		3	clocks	1,3
Tdrive_PD#	t <sub>DRVPD</sub>	BCLK output enable after PD# de-assertion		28	300	us	1,3
Tfall	t <sub>F</sub>	Fall time of single-ended control inputs			5	ns	1,2
Trise	t <sub>R</sub>	Rise time of single-ended control inputs			5	ns	1,2

<sup>1</sup> Guaranteed by design and characterization, not 100% tested in production.

<sup>2</sup> Control input must be monotonic from 20% to 80% of input swing.

<sup>3</sup> Time from deassertion until outputs are >200 mV

## Electrical Characteristics–BCLK Low-Power HCSL Outputs

TA = T<sub>AMB</sub>; Supply Voltages per normal operation conditions, See Test Loads for Loading Conditions

PARAMETER	SYMBOL	CONDITIONS	MIN	TYP	MAX	UNITS	NOTES
Slew rate	T <sub>rf</sub>	Scope averaging on, fast setting	2.2	3.2	4.5	V/ns	2,3
		Scope averaging, slow setting	1.5	2.3	3.5	V/ns	2,3
Crossing Voltage (abs)	V <sub>cross_abs</sub>	Scope averaging off	250	411	550	mV	1,4,5
Crossing Voltage (var)	ΔV <sub>cross</sub>	Scope averaging off		12	140	mV	1,4,9
Avg. Clock Period Accuracy	T <sub>PERIOD_AVG</sub>		-50	0	+2550	ppm	2,10,13
Absolute Period	T <sub>PERIOD_ABS</sub>	Includes jitter and Spread Spectrum Modulation	9.94906	10.0	10.1011	ns	2,6
Jitter, Cycle to cycle	t <sub>JCYC-CYC</sub>			23	50	ps	2
Voltage High	V <sub>HIGH</sub>	Statistical measurement on single-ended signal using oscilloscope math function. (Scope averaging on)	660	770	850	mV	1,15
Voltage Low	V <sub>LOW</sub>		-150	25	150		1,15
Absolute Max Voltage	V <sub>max</sub>	Measurement on single ended signal using absolute value. (Scope averaging off)		822	1150	mV	1,7,15
Absolute Min Voltage	V <sub>min</sub>		-300	-63			1,8,15
Duty Cycle	t <sub>DC</sub>		45	49	55	%	2
Slew rate matching	ΔT <sub>rf</sub>			14	20	%	1,14
Skew, Output to Output	t <sub>sk3</sub>	Averaging on, V <sub>T</sub> = 50%		24	50	ps	2

<sup>1</sup> Measured from single-ended waveform.

<sup>2</sup> Measured from differential waveform.

<sup>3</sup> Measured from -150 mV to +150 mV on the differential waveform (derived from REFCLK+ minus REFCLK-). The signal must be monotonic through the measurement region for rise and fall time. The 300 mV measurement window is centered on the differential zero crossing.

<sup>4</sup> Measured at crossing point where the instantaneous voltage value of the rising edge of REFCLK+ equals the falling edge of REFCLK-.

<sup>5</sup> Refers to the total variation from the lowest crossing point to the highest, regardless of which edge is crossing. Refers to all crossing points for this measurement.

<sup>6</sup> Defines as the absolute minimum or maximum instantaneous period. This includes cycle to cycle jitter, relative PPM tolerance, and spread spectrum modulation.

<sup>7</sup> Defined as the maximum instantaneous voltage including overshoot.

<sup>8</sup> Defined as the minimum instantaneous voltage including undershoot.

<sup>9</sup> Defined as the total variation of all crossing voltages of Rising REFCLK+ and Falling REFCLK-. This is the maximum allowed variance in V<sub>CROSS</sub> for any particular system.

<sup>10</sup> Refer to Section 4.3.7.1.1 of the PCI Express Base Specification, Revision 3.0 for information regarding PPM considerations.

<sup>11</sup> System board compliance measurements must use the test load. REFCLK+ and REFCLK- are to be measured at the load capacitors CL. Single ended probes must be used for measurements requiring single ended measurements. Either single ended probes with math or differential probe can be used for differential measurements. Test load CL = 2 pF.

<sup>12</sup> T<sub>STABLE</sub> is the time the differential clock must maintain a minimum ±150 mV differential voltage after rising/falling edges before it is allowed to droop back into the VRB ±100 mV differential range.

<sup>13</sup> PPM refers to parts per million and is a DC absolute period accuracy specification. 1 PPM is 1/1,000,000th of 100.000000 MHz exactly or 100 Hz. For 50 PPM, then we have an error budget of 100 Hz/PPM \* 50 PPM = 5 kHz. The period is to be measured with a frequency counter with measurement window set to 100 ms or greater. The ±50PPM applies to systems that do not employ Spread Spectrum Clocking, or that use common clock source. For systems employing Spread Spectrum Clocking, there is an additional 2,500 PPM nominal shift in maximum period resulting from the 0.5% down spread resulting in a maximum average period specification of +2,550 PPM.

<sup>14</sup> Matching applies to rising edge rate for REFCLK+ and falling edge rate for REFCLK-. It is measured using a ±75 mV window centered on the median cross point where REFCLK+ rising meets REFCLK- falling. The median cross point is used to calculate the voltage thresholds the oscilloscope is to use for the edge rate calculations. The Rise Edge Rate of REFCLK+ should be compared to the Fall Edge Rate of REFCLK-; the maximum allowed difference should not exceed 20% of the slowest edge rate.

<sup>15</sup> At default SMBus amplitude settings.

## Electrical Characteristics–Phase Jitter Parameters - PCIe Common Clocked (CC) Architectures<sup>1, 2, 5</sup>

T<sub>AMB</sub> = over the specified operating range. Supply Voltages per normal operation conditions, See Test Loads for Loading Conditions

PARAMETER	SYMBOL	CONDITIONS	MIN	TYP	MAX	SPECIFICATION LIMIT	UNITS	NOTES
Phase Jitter, PLL Mode	t <sub>jphPCIeG1-CC</sub>	PCIe Gen 1		17	30	86	ps (p-p)	3
	t <sub>jphPCIeG2-CC</sub>	PCIe Gen 2 Low Band 10kHz < f < 1.5MHz (PLL BW of 5-16MHz, 8-16MHz, CDR = 5MHz)		0.4	0.6	3	ps (rms)	
		PCIe Gen 2 High Band 1.5MHz < f < Nyquist (50MHz) (PLL BW of 5-16MHz, 8-16MHz, CDR = 5MHz)		1.1	1.7	3.1	ps (rms)	
	t <sub>jphPCIeG3-CC</sub>	PCIe Gen 3 (PLL BW of 2-4MHz, 2-5MHz, CDR = 10MHz)		0.29	0.42	1	ps (rms)	
	t <sub>jphPCIeG4-CC</sub>	PCIe Gen 4 (PLL BW of 2-4MHz, 2-5MHz, CDR = 10MHz)		0.29	0.42	0.5	ps (rms)	

## Electrical Characteristics–Phase Jitter Parameters - PCIe Independent Reference (IR) Architectures<sup>1, 5, 6</sup>

T<sub>AMB</sub> = over the specified operating range. Supply Voltages per normal operation conditions, See Test Loads for Loading Conditions

PARAMETER	SYMBOL	CONDITIONS	MIN	TYP	MAX	INDUSTRY LIMIT	UNITS	NOTES
	t <sub>jphPCIeG1-SRIS</sub>	PCIe Gen 1		n/a		None	ps (rms)	2, 7
Phase Jitter, PLL Mode	t <sub>jphPCIeG2-SRIS</sub>	PCIe Gen 2 (PLL BW of 16MHz, CDR = 5MHz)		0.8	1.2	2	ps (rms)	2
	t <sub>jphPCIeG3-SRIS</sub>	PCIe Gen 3 (PLL BW of 2-4MHz, CDR = 10MHz)		0.4	0.5	0.7	ps (rms)	2
	t <sub>jphPCIeG4-SRIS</sub>	PCIe Gen 4 (PLL BW of 2-4MHz, CDR = 10MHz)		n/a		None	ps (rms)	2, 7

### Notes on PCIe Filter Phase Jitter Tables

<sup>1</sup> Applies to all differential outputs, guaranteed by design and characterization.

<sup>2</sup> Based on PCIe Base Specification Rev4.0 version 0.7draft. See <http://www.pcisig.com> for latest specifications.

<sup>3</sup> Sample size of at least 100K cycles. This figures extrapolates to 108ps pk-pk @ 1M cycles for a BER of 1-12.

<sup>4</sup> Additive jitter for RMS values is calculated by solving for b where  $[b = \sqrt{c^2 - a^2}]$ , a is rms input jitter and c is rms total jitter.

<sup>5</sup> Driven by 9FGL0841 or equivalent

<sup>6</sup> IR is the new name for Separate Reference Independent Spread (SRIS) and Separate Reference no Spread (SRNS) PCIe clock architectures.

<sup>7</sup> According to the PCIe Base Specification Rev4.0 version 0.7 draft, the jitter transfer functions and corresponding jitter limits are not defined for the IR clock architecture. Widely accepted *industry* limits using widely accepted *industry* filters are used to populate this table. There are no accepted filters or limits for IR clock architectures at PCIe Gen1 or Gen4 data rates



## Electrical Characteristics—Filtered Phase Jitter Parameters - QPI/UPI, SAS<sup>1, 2</sup>

T<sub>AMB</sub> = over the specified operating range. Supply Voltages per normal operation conditions, See Test Loads for Loading Conditions

PARAMETER	SYMBOL	CONDITIONS	MIN	TYP	MAX	SPECIFICATION LIMIT	UNITS	NOTES
Phase Jitter, PLL Mode	t <sub>jphQPI_UPI</sub>	QPI & UPI (100MHz or 133MHz, 4.8Gb/s, 6.4Gb/s 12UI)		0.11	0.15	0.5	ps (rms)	
		QPI & UPI (100MHz, 8.0Gb/s, 12UI)		0.08	0.11	0.3	ps (rms)	
		QPI & UPI (100MHz, ?9.6Gb/s, 12UI)		0.07	0.1	0.2	ps (rms)	
Phase Jitter, SAS12G BCLK Outputs	t <sub>jphSAS12G</sub>	100MHz, SSC Off, REF output enabled		0.40	0.45	1.2	ps (rms)	1,2

### Notes

<sup>1</sup> Applies to all differential outputs, guaranteed by design and characterization.

<sup>2</sup> Calculated from Intel-supplied Clock Jitter Tool

<sup>3</sup> For RMS values additive jitter is calculated by solving for b where  $[b = \sqrt{c^2 - a^2}]$ , a is rms input jitter and c is rms total jitter.

## Electrical Characteristics—12kHz-20MHz phase Jitter

T<sub>AMB</sub> = over the specified operating range. Supply Voltages per normal operation conditions, See Test Loads for Loading Conditions

PARAMETER	SYMBOL	CONDITIONS	MIN	TYP	MAX	SPECIFICATION LIMIT	UNITS	NOTES
Phase Jitter, 12kHz-20MHz BCLK Outputs	t <sub>jph12k-20M</sub>	100MHz, SSC Off, REF output enabled		1.5	2	n/a	ps (rms)	1

### Notes

<sup>1</sup> Applies to all differential outputs, guaranteed by design and characterization.

## Electrical Characteristics—Current Consumption

T<sub>A</sub> = T<sub>AMB</sub>; Supply Voltages per normal operation conditions, See Test Loads for Loading Conditions

PARAMETER	SYMBOL	CONDITIONS	MIN	TYP	MAX	UNITS	NOTES
Operating Supply Current	I <sub>DDAOP</sub>	VDDA, All outputs active @100MHz		13	16	mA	
	I <sub>DDOP</sub>	All other VDD, except VDDA, All outputs active @100MHz		30	40	mA	
Wake-on-LAN Current (Power down state and Byte 3, bit 5 = '1')	I <sub>DDAPD</sub>	VDDA, BCLK outputs off, REF output on		0.7	1	mA	1
	I <sub>DDPD</sub>	All other VDD, except VDDA, BCLK outputs off, REF output running		9	12	mA	1
Powerdown Current (Power down state and Byte 3, bit 5 = '0')	I <sub>DDAPD</sub>	VDDA, all outputs off		0.7	1	mA	
	I <sub>DDPD</sub>	All other VDD, except VDDA, all outputs off		5	9	mA	

<sup>1</sup> This is the current required to have the REF output running in Wake-on-LAN mode (Byte 3, bit 5 = 1)

## Electrical Characteristics– REF

TA = T<sub>AMB</sub>; Supply Voltages per normal operation conditions, See Test Loads for Loading Conditions

PARAMETER	SYMBOL	CONDITIONS	MIN	TYP	MAX	UNITS	NOTES
Long Accuracy	ppm	see Tperiod min-max values	0			ppm	1,2
Clock period	T <sub>period</sub>	25 MHz output		40		ns	2
Output High Voltage	V <sub>IH</sub>	I <sub>OH</sub> = -2mA	0.8x V <sub>DDREF</sub>			V	
Output Low Voltage	V <sub>IL</sub>	I <sub>OL</sub> = 2mA			0.2x V <sub>DDREF</sub>	V	
Rise/Fall Slew Rate	t <sub>rf1</sub>	Byte 3 = 1F, V <sub>OH</sub> = VDD-0.45V, V <sub>OL</sub> = 0.45V	0.6	0.8	1.5	V/ns	1
Rise/Fall Slew Rate	t <sub>rf1</sub>	Byte 3 = 5F, V <sub>OH</sub> = VDD-0.45V, V <sub>OL</sub> = 0.45V	1.0	1.5	2.5	V/ns	1,3
Rise/Fall Slew Rate	t <sub>rf1</sub>	Byte 3 = 9F, V <sub>OH</sub> = VDD-0.45V, V <sub>OL</sub> = 0.45V	1.5	2.2	2.9	V/ns	1
Rise/Fall Slew Rate	t <sub>rf1</sub>	Byte 3 = DF, V <sub>OH</sub> = VDD-0.45V, V <sub>OL</sub> = 0.45V	1.9	2.9	3.9	V/ns	1
Duty Cycle	d <sub>t1X</sub>	V <sub>T</sub> = VDD/2 V	45	49.8	55	%	1,4
Duty Cycle Distortion	d <sub>tcd</sub>	V <sub>T</sub> = VDD/2 V	-1	0	0	%	1,5
Jitter, cycle to cycle	t <sub>jcyc-cyc</sub>	V <sub>T</sub> = VDD/2 V		81	250	ps	1,4
Noise floor	t <sub>dBc1k</sub>	1kHz offset			-137	dBc	1,4
Noise floor	t <sub>dBc10k</sub>	10kHz offset to Nyquist			-145	dBc	1,4
Jitter, phase	t <sub>jphREF</sub>	12kHz to 5MHz, SSC Off		0.14	0.2	ps (rms)	1,4
Jitter, phase	t <sub>jphREF</sub>	12kHz to 5MHz, SSC On		0.64	1	ps (rms)	1,4

<sup>1</sup>Guaranteed by design and characterization, not 100% tested in production.

<sup>2</sup>All Long Term Accuracy and Clock Period specifications are guaranteed assuming that REF is trimmed to 25.00 MHz

<sup>3</sup>Default SMBus Value

<sup>4</sup>When driven by a crystal.

<sup>5</sup>When driven by an external oscillator via the X1 pin, X2 should be floating.

## General SMBus Serial Interface Information

### How to Write

- Controller (host) sends a start bit
- Controller (host) sends the write address
- IDT clock will **acknowledge**
- Controller (host) sends the beginning byte location = N
- IDT clock will **acknowledge**
- Controller (host) sends the byte count = X
- IDT clock will **acknowledge**
- Controller (host) starts sending Byte N through Byte N+X-1
- IDT clock will **acknowledge** each byte **one at a time**
- Controller (host) sends a Stop bit

Index Block Write Operation			
Controller (Host)			IDT (Slave/Receiver)
T	starT bit		
Slave Address			
WR	WRite		
			ACK
Beginning Byte = N			
			ACK
Data Byte Count = X			
			ACK
Beginning Byte N		X Byte	
O			ACK
O			O
O			O
			O
Byte N + X - 1			
			ACK
P	stoP bit		

**Note: SMBus Read/Write Address is Latched on SADR pin.**

### How to Read

- Controller (host) will send a start bit
- Controller (host) sends the write address
- IDT clock will **acknowledge**
- Controller (host) sends the beginning byte location = N
- IDT clock will **acknowledge**
- Controller (host) will send a separate start bit
- Controller (host) sends the read address
- IDT clock will **acknowledge**
- IDT clock will send the data byte count = X
- IDT clock sends Byte N+X-1
- IDT clock sends **Byte 0 through Byte X (if X<sub>(H)</sub> was written to Byte 8)**
- Controller (host) will need to acknowledge each byte
- Controller (host) will send a not acknowledge bit
- Controller (host) will send a stop bit

Index Block Read Operation			
Controller (Host)			IDT (Slave/Receiver)
T	starT bit		
Slave Address			
WR	WRite		
			ACK
Beginning Byte = N			
			ACK
RT	Repeat starT		
Slave Address			
RD	ReaD		
			ACK
			Data Byte Count=X
ACK		X Byte	
ACK			Beginning Byte N
			O
			O
			O
			Byte N + X - 1
N	Not acknowledge		
P	stoP bit		

**SMBus Table: Output Enable Register**

Byte 0	Name	Control Function	Type	0	1	Default
Bit 7	Reserved					X
Bit 6	Reserved					X
Bit 5	Reserved					X
Bit 4	Reserved					X
Bit 3	BCLK OE3	Output Enable	RW	See B11[1:0]	Pin Control	1
Bit 2	BCLK OE2	Output Enable	RW		Pin Control	1
Bit 1	BCLK OE1	Output Enable	RW		Pin Control	1
Bit 0	BCLK OE0	Output Enable	RW		Pin Control	1

1. A low on these bits will override the OE# pin and force the BCLKferential output to the state indicated by B11[1:0] (Low/Low default).

**SMBus Table: SS Readback and Vhigh Control Register**

Byte 1	Name	Control Function	Type	0	1	Default
Bit 7	SSENRB1	SS Enable Readback Bit1	R	00' for SS_EN_tri = 0, '01' for SS_EN_tri = 'M', '11 for SS_EN_tri = '1'		Latch
Bit 6	SSENRB1	SS Enable Readback Bit0	R			
Bit 5	SSEN_SWCNTRL	Enable SW control of SS	RW	SS control locked	Values in B1[4:3] control SS amount.	0
Bit 4	SSENSW1	SS Enable Software Ctl Bit1	RW <sup>1</sup>	00' = SS Off, '01' = -0.25% SS, '10' = Reserved, '11' = -0.5% SS		0
Bit 3	SSENSW0*	SS Enable Software Ctl Bit0	RW <sup>1</sup>			
Bit 2	Reserved					X
Bit 1	AMPLITUDE 1	Controls Output Amplitude	RW	00 = 0.6V	01 = 0.68V	1
Bit 0	AMPLITUDE 0		RW	10 = 0.75V	11 = 0.85V	0

1. Spread must be selected OFF or ON with the hardware latch pin. These bits should not be used to turn spread ON or OFF after power up. These bits can be used to change the spread amount, and B1[5] must be set to a 1 for these bits to have any effect on the part. If These bits are used to turn spread OFF or ON, the system will need to be reset.

**SMBus Table: BCLK Slew Rate Control Register**

Byte 2	Name	Control Function	Type	0	1	Default
Bit 7	Reserved					X
Bit 6	Reserved					X
Bit 5	Reserved					X
Bit 4	Reserved					X
Bit 3	SLEWRATESEL BCLK3	Adjust Slew Rate of BCLK3	RW	Slow Setting	Fast Setting	1
Bit 2	SLEWRATESEL BCLK2	Adjust Slew Rate of BCLK2	RW	Slow Setting	Fast Setting	1
Bit 1	SLEWRATESEL BCLK1	Adjust Slew Rate of BCLK1	RW	Slow Setting	Fast Setting	1
Bit 0	SLEWRATESEL BCLK0	Adjust Slew Rate of BCLK0	RW	Slow Setting	Fast Setting	1

Note: See "Low-Power HCSL Outputs" table for slew rates.

**SMBus Table: REF Control Register**

Byte 3	Name	Control Function	Type	0	1	Default
Bit 7	REF	Slew Rate Control	RW	00 = Slowest	01 = Slow	0
Bit 6			RW	10 = Fast	11 = Fastest	1
Bit 5	REF Power Down Function	Wake-on-Lan Enable for REF	RW	REF disabled in Power Down	REF runs in Power Down	0
Bit 4	REF OE	REF Output Enable	RW	Disabled <sup>1</sup>	Enabled	1
Bit 3	Reserved					X
Bit 2	Reserved					X
Bit 1	Reserved					X
Bit 0	Reserved					X

1. The disabled state depends on Byte11[1:0]. '00' = Low, '01'=HiZ, '10'=Low, '11'=High

**Byte 4 is Reserved**

**SMBus Table: Revision and Vendor ID Register**

Byte 5	Name	Control Function	Type	0	1	Default
Bit 7	RID3	Revision ID	R	B rev = 0001		0
Bit 6	RID2		R			0
Bit 5	RID1		R			0
Bit 4	RID0		R			1
Bit 3	VID3	VENDOR ID	R	0001 = IDT		0
Bit 2	VID2		R			0
Bit 1	VID1		R			0
Bit 0	VID0		R			1

**SMBus Table: Device Type/Device ID**

Byte 6	Name	Control Function	Type	0	1	Default
Bit 7	Device Type1	Device Type	R	00 = 9SQL49xx		0
Bit 6	Device Type0		R			0
Bit 5	Device ID5	Device ID	R	000100 binary or 04 hex		0
Bit 4	Device ID4		R			0
Bit 3	Device ID3		R			0
Bit 2	Device ID2		R			1
Bit 1	Device ID1		R			0
Bit 0	Device ID0		R			0

**SMBus Table: Byte Count Register**

Byte 7	Name	Control Function	Type	0	1	Default
Bit 7		Reserved				X
Bit 6		Reserved				X
Bit 5		Reserved				X
Bit 4	BC4	Byte Count Programming	RW	Writing to this register will configure how many bytes will be read back, default is = 8 bytes.		0
Bit 3	BC3		RW			1
Bit 2	BC2		RW			0
Bit 1	BC1		RW			0
Bit 0	BC0		RW			0

Bytes 8 and 9 are Reserved .

**SMBus Table: PLL MN Enable, PD\_Restore**

Byte 10	Name	Control Function	Type	0	1	Default
Bit 7	PLL M/N En	M/N Programming Enable	RW	M/N Prog. Disabled	M/N Prog. Enabled	0
Bit 6	Power-Down (PD) Restore	Restore Default Config. In PD	RW	Clear Config in PD	Keep Config in PD	1
Bit 5		Reserved				X
Bit 4		Reserved				X
Bit 3		Reserved				X
Bit 2		Reserved				X
Bit 1		Reserved				X
Bit 0		Reserved				X

**SMBus Table: Stop State Control**

Byte 11	Name	Control Function	Type	0	1	Default
Bit 7		Reserved				X
Bit 6		Reserved				X
Bit 5		Reserved				X
Bit 4		Reserved				X
Bit 3		Reserved				X
Bit 2		Reserved				X
Bit 1	STP[1]	True/Complement BCLK Output Disable State	RW	00 = Low/Low	10 = High/Low	0
Bit 0	STP[0]		RW	01 = HiZ/HiZ	11 = Low/High	0

SMBus Table: Impedance Control

Byte 12	Name	Control Function	Type	0	1	Default
Bit 7	BCLK1_imp[1]	BCLK1 Zout	RW	00=33 $\Omega$ Zout	10=100 $\Omega$ Zout	0
Bit 6	BCLK1_imp[0]	BCLK1 Zout	RW	01=85 $\Omega$ Zout	11 = Reserved	1
Bit 5	Reserved					X
Bit 4	Reserved					X
Bit 3	BCLK0_imp[1]	BCLK0 Zout	RW	00=33 $\Omega$ Zout	10=100 $\Omega$ Zout	0
Bit 2	BCLK0_imp[0]	BCLK0 Zout	RW	01=85 $\Omega$ Zout	11 = Reserved	1
Bit 1	Reserved					X
Bit 0	Reserved					X

SMBus Table: Impedance Control

Byte 13	Name	Control Function	Type	0	1	Default
Bit 7	Reserved					X
Bit 6	Reserved					X
Bit 5	BCLK3_imp[1]	BCLK3 Zout	RW	00=33 $\Omega$ Zout	10=100 $\Omega$ Zout	0
Bit 4	BCLK3_imp[0]	BCLK3 Zout	RW	01=85 $\Omega$ Zout	11 = Reserved	1
Bit 3	BCLK2_imp[1]	BCLK2 Zout	RW	00=33 $\Omega$ Zout	10=100 $\Omega$ Zout	0
Bit 2	BCLK2_imp[0]	BCLK2 Zout	RW	01=85 $\Omega$ Zout	11 = Reserved	1
Bit 1	Reserved					X
Bit 0	Reserved					X

SMBus Table: Pull-up Pull-down Control

Byte 14	Name	Control Function	Type	0	1	Default
Bit 7	OE1_pu/pd[1]	OE1 Pull-up(PuP)/ Pull-down(Pdwn) control	RW	00=None	10=Pup	0
Bit 6	OE1_pu/pd[0]		RW	01=Pdwn	11 = Pup+Pdwn	1
Bit 5	Reserved					X
Bit 4	Reserved					X
Bit 3	OE0pu/pd[1]	OE0Pull-up(PuP)/ Pull-down(Pdwn) control	RW	00=None	10=Pup	0
Bit 2	OE0_pu/pd[0]		RW	01=Pdwn	11 = Pup+Pdwn	1
Bit 1	Reserved					X
Bit 0	Reserved					X

SMBus Table: Pull-up Pull-down Control

Byte 15	Name	Control Function	Type	0	1	Default
Bit 7	Reserved					X
Bit 6	Reserved					X
Bit 5	OE3_pu/pd[1]	OE3 Pull-up(PuP)/ Pull-down(Pdwn) control	RW	00=None	10=Pup	0
Bit 4	OE3_pu/pd[0]		RW	01=Pdwn	11 = Pup+Pdwn	1
Bit 3	OE2_pu/pd[1]	OE2 Pull-up(PuP)/ Pull-down(Pdwn) control	RW	00=None	10=Pup	0
Bit 2	OE2_pu/pd[0]		RW	01=Pdwn	11 = Pup+Pdwn	1
Bit 1	Reserved					X
Bit 0	Reserved					X

SMBus Table: Pull-up Pull-down Control

Byte 16	Name	Control Function	Type	0	1	Default
Bit 7	Reserved					0
Bit 6	Reserved					0
Bit 5	Reserved					1
Bit 4	Reserved					0
Bit 3	Reserved					0
Bit 2	Reserved					1
Bit 1	CKPWRGD_PD_pu/pd[1]	CKPWRGD_PD Pull-up(PuP)/ Pull-down(Pdwn) control	RW	00=None	10=Pup	1
Bit 0	CKPWRGD_PD_pu/pd[0]		RW	01=Pdwn	11 = Pup+Pdwn	0

Byte 17 is Reserved

**SMBus Table: Polarity Control**

Byte 18	Name	Control Function	Type	0	1	Default
Bit 7	Reserved					0
Bit 6	OE3_polarity	Sets OE3 polarity	RW	Enabled when Low	Enabled when High	0
Bit 5	OE2_polarity	Sets OE2 polarity	RW	Enabled when Low	Enabled when High	0
Bit 4	Reserved					0
Bit 3	OE1_polarity	Sets OE1 polarity	RW	Enabled when Low	Enabled when High	0
Bit 2	Reserved					0
Bit 1	OE0_polarity	Sets OE0 polarity	RW	Enabled when Low	Enabled when High	0
Bit 0	Reserved					0

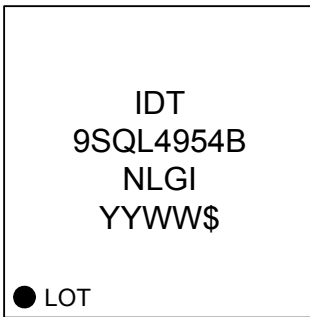
**SMBus Table: Polarity Control**

Byte 19	Name	Control Function	Type	0	1	Default
Bit 7	Reserved					0
Bit 6	Reserved					0
Bit 5	Reserved					0
Bit 4	Reserved					0
Bit 3	Reserved					0
Bit 2	Reserved					0
Bit 1	Reserved					0
Bit 0	CKPWRGD_PD	Determines CKPWRGD_PD polarity	RW	Power Down when Low	Power Down when High	0

## Recommended Crystal Characteristics (3225 package)

PARAMETER	VALUE	UNITS	NOTES
Frequency	25	MHz	
Resonance Mode	Fundamental	-	
Frequency Tolerance @ 25°C	±20	PPM Max	
Frequency Stability, ref @ 25°C Over Operating Temperature Range	±20	PPM Max	
Temperature Range (commercial)	0~70	°C	
Temperature Range (industrial)	-40~85	°C	
Equivalent Series Resistance (ESR)	50	Ω Max	
Shunt Capacitance (C <sub>0</sub> )	7	pF Max	
Load Capacitance (C <sub>L</sub> )	8	pF Max	
Drive Level	0.3	mW Max	
Aging per year	±5	PPM Max	

## Marking Diagram



### Notes:

1. "YYWW" is the last two digits of the year and week that the part was assembled.
2. "\$" denotes the mark code.
3. "I" denotes industrial temperature range device.
4. "LOT" is the lot sequence number.

## Thermal Characteristics

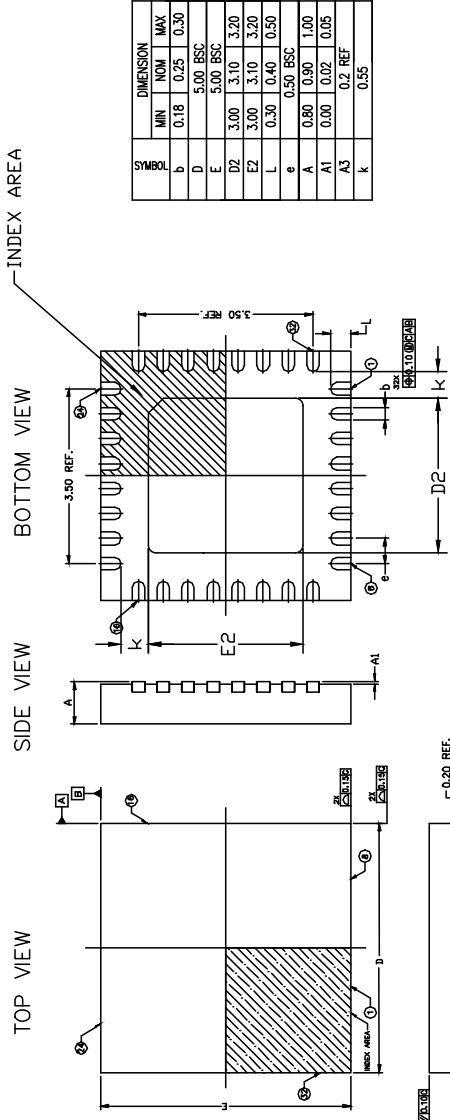
PARAMETER	SYMBOL	CONDITIONS	PKG	TYP.	UNITS	NOTES
Thermal Resistance	$\theta_{JC}$	Junction to Case	NLG32	42	°C/W	1
	$\theta_{Jb}$	Junction to Base		2.4	°C/W	1
	$\theta_{JA0}$	Junction to Air, still air		39	°C/W	1
	$\theta_{JA1}$	Junction to Air, 1 m/s air flow		33	°C/W	1
	$\theta_{JA3}$	Junction to Air, 3 m/s air flow		28	°C/W	1
	$\theta_{JA5}$	Junction to Air, 5 m/s air flow		27	°C/W	1

<sup>1</sup>ePad soldered to board



# Package Outline and Dimensions (NLG32)

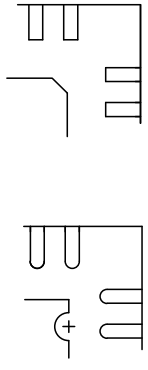
REVISIONS			
REV	DESCRIPTION	DATE	APPROVED
00	INITIAL RELEASE	11/23/15	J.H
01	MODIFY DIMENSION TABLE	11/30/15	J.H



SYMBOL	DIMENSION		
	MIN	NOM	MAX
b	0.18	0.25	0.30
D	5.00 BSC		
E	5.00 BSC		
D2	3.00	3.10	3.20
E2	3.00	3.10	3.20
L	0.30	0.40	0.50
e	0.50 BSC		
A	0.80	0.90	1.00
A1	0.00	0.02	0.05
A3	0.2 REF		
k	0.55		

NOTE :

1. ALL DIMENSION ARE IN mm, ANGLES IN DEGREES.
2. COPLANARITY APPLIES TO THE EXPOSED PAD AS WELL AS THE TERMINALS.
3. WARPAGE SHALL NOT EXCEED 0.08 mm.



		6024 Silver Creek Valley Rd San Jose, CA 95138 PHONE: (408) 284-8200 FAX: (408) 284-3572 www.IDT.com	
TOLERANCES UNLESS SPECIFIED DECIMAL ±1 .05 XXX±.030	ANGLULAR ±1	DATE 11/23/15	TITLE NLG32 PACKAGE OUTLINE
APPROVALS DRAWN 224G CHECKED	DRAWING No. PSC-4171-03	SIZE C	REV 01
5.0 x 5.0 mm BODY, EPAD 3.10 mm SQ 0.50 mm PITCH QFN.			DO NOT SCALE DRAWING
			SHEET 1 OF 2

# Package Outline and Dimensions (NLG32), cont.

REVISIONS			
REV	DESCRIPTION	DATE	APPROVED
00	INITIAL RELEASE	11/23/15	J.H
01	MODIFY DIMENSION TABLE	11/20/15	J.H

INDEX AREA

RECOMMENDED LAND PATTERN.

**NOTES:**

1. ALL DIMENSIONS ARE IN mm. ANGLES IN DEGREES.
2. TOP DOWN VIEW, AS VIEWED ON PCB.
3. COMPONENT OUTLINE SHOWS FOR REFERENCE IN GREEN.
4. LAND PATTERN IN BLUE. NSMD PATTERN ASSUMED.
5. LAND PATTERN RECOMMENDATION PER IPC-7351B. GENERIC REQUIREMENT FOR SURFACE MOUNT DESIGN AND LAND PATTERN.

<b>TOLERANCES UNLESS SPECIFIED</b> DECIMAL ±.1 XX± .05 XXX± .030		<b>APPROVALS</b> DRAWN P20P CHECKED		<b>DATE</b> 12/20/06	
<b>6024 Silver Creek Valley Rd</b> San Jose, CA 95138 PHONE: (408) 284-8200 FAX: (408) 284-3572		<b>WWW.IDT.COM</b>		<b>TITLE</b> NL/NLG 32 PACKAGE OUTLINE <b>SIZE</b> 5.0 x 5.0 mm BODY, EPAD 3.10 mm SQ 0.50 mm PITCH QFN.	
<b>IDT</b>		<b>DRAWING No.</b>		<b>REV</b>	
DO NOT SCALE DRAWING		PSC-4171-03		01	
				SHEET 2 OF 2	

## Ordering Information

Part / Order Number	Shipping Packaging	Package	Temperature
9SQL4954BNLGI	Trays	32-pin VFQFPN	-40 to +85° C
9SQL4954BNLGI8	Tape and Reel	32-pin VFQFPN	-40 to +85° C

“G” suffix to the part number are the Pb-Free configuration and are RoHS compliant.

“B” is the device revision designator (will not correlate with the datasheet revision).

## Revision History

Rev.	Issue Date	Initiator	Description	Page #
A	10/1/2015	RDW	1. Initial Release	Various
B	3/7/2016	RDW	Correct marking digram	15
C	3/25/2016	RDW	1. Updated ordering information to rev B 2. Update Byte 5 revision ID to B	Various
D	5/3/2016	RDW	1. Updated block diagram 2. Minor corrections to front page text. 3. Removed Device name from "Termination" table under Test Loads 4. Updated SMBus	1,4, various
E	10/28/2016	RDW	1. Updated electrical tables per PCIe Base Spec 4.0v7 of Oct. 2016 to add PCIe Gen4 CC and PCIe Gen2-3 IR to the data sheet. 2. Separated PCIe and QPI/UPI, SAS electrical tables 3. Updated front page text for clarity 4. Added note about hardware latching Spread Spectrum versus software control of on/off to Byte 1. 5. Updated block diagram for formatting, and test loads 6. Changed name of DIF outputs to BCLK to better indicate there use in servers. 7. Added bytes 10-19 to the SMBus register set. 8. Removed IDT Crystal Part numbers from DS.	Various
F	11/4/2016	RDW	1. Updated test loads diagrams 2. Added typical Tdrive_PD# value 3. Slight adjustments to max REF slew rates 4. Added default impedance settings to Byte 12 and 13	4, 6, 10, 14



**Corporate Headquarters**  
6024 Silver Creek Valley Road  
San Jose, CA 95138 USA  
[www.IDT.com](http://www.IDT.com)

**Sales**  
1-800-345-7015 or 408-284-8200  
Fax: 408-284-2775  
[www.IDT.com/go/sales](http://www.IDT.com/go/sales)

**Tech Support**  
[www.idt.com/go/support](http://www.idt.com/go/support)

DISCLAIMER Integrated Device Technology, Inc. (IDT) and its subsidiaries reserve the right to modify the products and/or specifications described herein at any time and at IDT's sole discretion. All information in this document, including descriptions of product features and performance, is subject to change without notice. Performance specifications and the operating parameters of the described products are determined in the independent state and are not guaranteed to perform the same way when installed in customer products. The information contained herein is provided without representation or warranty of any kind, whether express or implied, including, but not limited to, the suitability of IDT's products for any particular purpose, an implied warranty of merchantability, or non-infringement of the intellectual property rights of others. This document is presented only as a guide and does not convey any license under intellectual property rights of IDT or any third parties.

IDT's products are not intended for use in applications involving extreme environmental conditions or in life support systems or similar devices where the failure or malfunction of an IDT product can be reasonably expected to significantly affect the health or safety of users. Anyone using an IDT product in such a manner does so at their own risk, absent an express, written agreement by IDT.

Integrated Device Technology, IDT and the IDT logo are registered trademarks of IDT. Product specification subject to change without notice. Other trademarks and service marks used herein, including protected names, logos and designs, are the property of IDT or their respective third party owners.

Copyright ©2016 Integrated Device Technology, Inc.. All rights reserved.