

EVALUATION KIT
AVAILABLE

MAXIM

1:5 Differential LVPECL/LVECL/HSTL Clock and Data Driver

MAX9316

General Description

The MAX9316 is a low-skew, 1-to-5 differential driver designed for clock and data distribution. This device allows selection between two inputs: one differential and one single ended. The selected input is reproduced at five differential outputs. The differential input can be adapted to accept a single-ended input by connecting the on-chip V_{BB} supply to one input as a reference voltage.

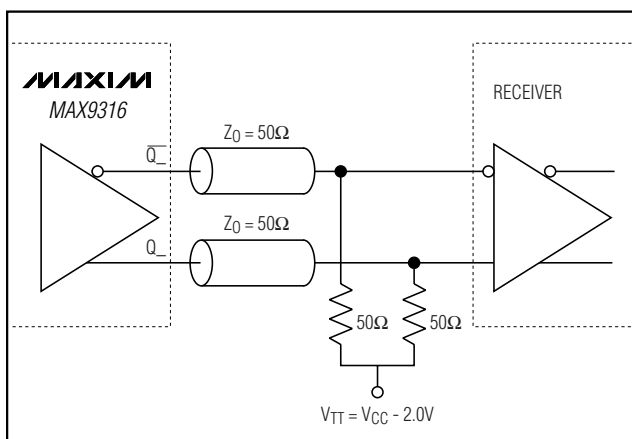
The MAX9316 features low output-to-output skew (20ps), making it ideal for clock and data distribution across a backplane or board. For interfacing to differential HSTL and LVPECL signals, this device operates over a +3.0V to +3.8V supply range, allowing high-performance clock or data distribution in systems with a nominal +3.3V supply. For differential LVECL operation, this device operates with a -3.0V to -3.8V supply.

The MAX9316 is offered in a space-saving 20-pin TSSOP and wide-body SO package.

Applications

- Precision Clock Distribution
- Low-Jitter Data Repeater
- Data and Clock Driver and Buffer
- Central Office Backplane Clock Distribution
- DSLAM Backplane
- Base Station
- ATE

Typical Application Circuit



Functional Diagram appears at end of data sheet.

Features

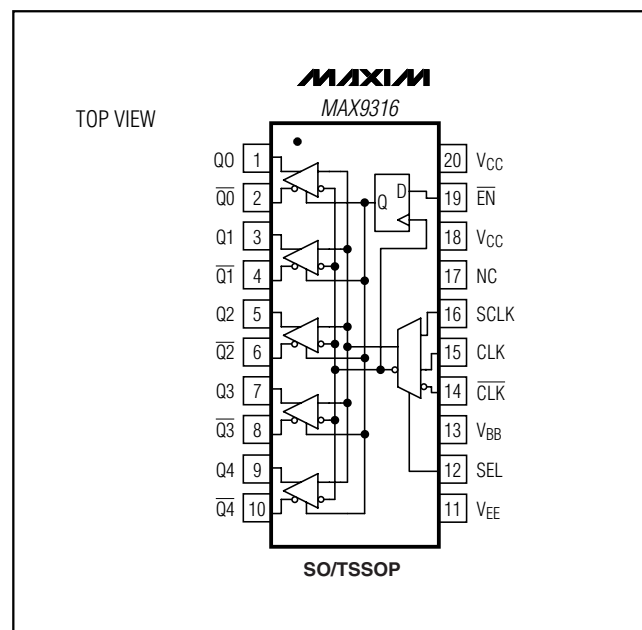
- ◆ Guaranteed 400mV Differential Output at 1.5GHz
- ◆ Selectable Single-Ended or Differential Input
- ◆ 130ps (max) Part-to-Part Skew at +25°C
- ◆ 20ps Output-to-Output Skew
- ◆ 365ps Propagation Delay
- ◆ Synchronous Output Enable/Disable
- ◆ On-Chip Reference for Single-Ended Inputs
- ◆ Input Biased to Low when Open
- ◆ Pin Compatible with MC100LVEL14

Ordering Information

| PART | TEMP. RANGE | PIN-PACKAGE |
|-------------|----------------|-------------|
| MAX9316EUP | -40°C to +85°C | 20 TSSOP |
| MAX9316EWP* | -40°C to +85°C | 20 Wide SO |

*Future product—contact factory for availability.

Pin Configuration



MAXIM

Maxim Integrated Products 1

For pricing, delivery, and ordering information, please contact Maxim/Dallas Direct! at 1-888-629-4642, or visit Maxim's website at www.maxim-ic.com.

1:5 Differential LVPECL/LVECL/HSTL Clock and Data Driver

ABSOLUTE MAXIMUM RATINGS

| | | | |
|---|------------------------------|--|-----------------|
| VCC - VEE..... | 4.1V | Multilayer PC Board | |
| Inputs (CLK, $\overline{\text{CLK}}$, SCLK, SEL, $\overline{\text{EN}}$) to VEE..... | (VEE - 0.3V) to (VCC + 0.3V) | 20-Pin TSSOP | +91°C/W |
| CLK to $\overline{\text{CLK}}$ | ±3.0V | Junction-to-Ambient Thermal Resistance with 500LFPM Airflow | |
| Continuous Output Current | 50mA | Single-Layer PC Board | |
| Surge Output Current..... | 100mA | 20-Pin TSSOP | +96°C/W |
| V _{BB} Sink/Source Current | ±0.65mA | 20-Pin Wide SO..... | +58°C/W |
| Continuous Power Dissipation (T _A = +70°C) | | Junction-to-Case Thermal Resistance | |
| Single-Layer PC Board | | 20-Pin TSSOP | +20°C/W |
| 20-Pin TSSOP (derate 7.69mW/°C above +70°C) | 615mW | 20-Pin Wide SO..... | +20°C/W |
| 20-Pin Wide SO (derate 10mW/°C above +70°C) | 800mW | Operating Temperature Range | -40°C to +85°C |
| Multilayer PC Board | | Junction Temperature..... | +150°C |
| 20-Pin TSSOP (derate 10.9mW/°C above +70°C) | 879mW | Storage Temperature Range | -65°C to +150°C |
| Junction-to-Ambient Thermal Resistance in Still Air | | ESD Protection | |
| Single-Layer PC Board | | Human Body Model (Inputs and Outputs) | 2kV |
| 20-Pin TSSOP | +130°C/W | Soldering Temperature (10s)..... | +300°C |
| 20-Pin Wide SO..... | +100°C/W | | |

Stresses beyond those listed under "Absolute Maximum Ratings" may cause permanent damage to the device. These are stress ratings only, and functional operation of the device at these or any other conditions beyond those indicated in the operational sections of the specifications is not implied. Exposure to absolute maximum rating conditions for extended periods may affect device reliability.

DC ELECTRICAL CHARACTERISTICS

(VCC - VEE = +3.0V to +3.8V, outputs loaded with 50Ω ±1% to VCC - 2V, SEL = high or low, $\overline{\text{EN}}$ = low, unless otherwise noted. Typical values are at VCC - VEE = +3.3V, V_{IHD} = VCC - 1V, V_{ILD} = VCC - 1.5V.) (Notes 1, 2, 3)

| PARAMETER | SYMBOL | CONDITIONS | -40°C | | | +25°C | | | +85°C | | | UNITS |
|---|------------------|---|-----------------------|-------------|-----|-----------------------|-------------|-----|-----------------------|-------------|-----|-------|
| | | | MIN | TYP | MAX | MIN | TYP | MAX | MIN | TYP | MAX | |
| SINGLE-ENDED INPUTS (SCLK, SEL, $\overline{\text{EN}}$) | | | | | | | | | | | | |
| Input High Voltage | V _{IH} | | VCC - 1.145 | VCC | | VCC - 1.145 | VCC | | VCC - 1.145 | VCC | | V |
| Input Low Voltage | V _{IL} | | V _{EE} | VCC - 1.495 | | V _{EE} | VCC - 1.495 | | V _{EE} | VCC - 1.495 | | V |
| Input Current | I _{IN} | V _{IL} (MIN), V _{IH} (MAX) | -10 | 150 | | -10 | 150 | | -10 | 150 | | μA |
| DIFFERENTIAL INPUTS (CLK, $\overline{\text{CLK}}$) | | | | | | | | | | | | |
| Single-Ended Input High Voltage | V _{IH} | $\overline{\text{CLK}}$ connected to V _{BB} , Figure 1 | VCC - 1.145 | VCC | | VCC - 1.145 | VCC | | VCC - 1.145 | VCC | | V |
| Single-Ended Input Low Voltage | V _{IL} | $\overline{\text{CLK}}$ connected to V _{BB} , Figure 1 | V _{EE} | VCC - 1.495 | | V _{EE} | VCC - 1.495 | | V _{EE} | VCC - 1.495 | | V |
| High Voltage of Differential Input | V _{IHD} | | V _{EE} + 1.2 | VCC | | V _{EE} + 1.2 | VCC | | V _{EE} + 1.2 | VCC | | V |
| Low Voltage of Differential Input | V _{ILD} | | V _{EE} | VCC - 0.095 | | V _{EE} | VCC - 0.095 | | V _{EE} | VCC - 0.095 | | V |

1:5 Differential LVPECL/LVECL/HSTL Clock and Data Driver

MAX9316

DC ELECTRICAL CHARACTERISTICS (continued)

($V_{CC} - V_{EE} = +3.0V$ to $+3.8V$, outputs loaded with $50\Omega \pm 1\%$ to $V_{CC} - 2V$, SEL = high or low, $\overline{EN} =$ low, unless otherwise noted. Typical values are at $V_{CC} - V_{EE} = +3.3V$, $V_{IH} = V_{CC} - 1V$, $V_{ILD} = V_{CC} - 1.5V$.) (Notes 1, 2, 3)

| PARAMETER | SYMBOL | CONDITIONS | -40°C | | | +25°C | | | +85°C | | | UNITS |
|---|---------------------|------------------------------------|------------------|-----|------------------|------------------|-----|------------------|------------------|-----|------------------|---------|
| | | | MIN | TYP | MAX | MIN | TYP | MAX | MIN | TYP | MAX | |
| Differential Input Voltage | $V_{IHD} - V_{ILD}$ | | 0.095 | | 3.0 | 0.095 | | 3.0 | 0.095 | | 3.0 | V |
| Input Current | I_{IN} | $V_{IH}, V_{IL}, V_{IHD}, V_{ILD}$ | -150 | | 150 | -150 | | 150 | -150 | | 150 | μA |
| OUTPUTS (Q_+, Q_-) | | | | | | | | | | | | |
| Single-Ended Output High Voltage | V_{OH} | Figure 1 | $V_{CC} - 1.085$ | | $V_{CC} - 0.865$ | $V_{CC} - 1.025$ | | $V_{CC} - 0.865$ | $V_{CC} - 1.025$ | | $V_{CC} - 0.865$ | V |
| Single-Ended Output Low Voltage | V_{OL} | Figure 1 | $V_{CC} - 1.860$ | | $V_{CC} - 1.555$ | $V_{CC} - 1.840$ | | $V_{CC} - 1.620$ | $V_{CC} - 1.810$ | | $V_{CC} - 1.620$ | V |
| Differential Output Voltage | $V_{OH} - V_{OL}$ | Figure 1 | 550 | | 910 | 550 | | 910 | 550 | | 910 | mV |
| REFERENCE (V_{BB}) | | | | | | | | | | | | |
| Reference Voltage Output (Note 4) | V_{BB} | $I_{BB} = \pm 0.5mA$ | $V_{CC} - 1.40$ | | $V_{CC} - 1.24$ | $V_{CC} - 1.40$ | | $V_{CC} - 1.24$ | $V_{CC} - 1.40$ | | $V_{CC} - 1.24$ | V |
| SUPPLY | | | | | | | | | | | | |
| Supply Current (Note 5) | I_{EE} | | | 30 | 40 | | 32 | 40 | | 34 | 42 | mA |

1:5 Differential LVPECL/LVECL/HSTL Clock and Data Driver

AC ELECTRICAL CHARACTERISTICS

($V_{CC} - V_{EE} = +3.0V$ to $+3.8V$, outputs are loaded with $50\Omega \pm 1\%$ to $V_{CC} - 2V$, input frequency = $1.5GHz$, input transition time = $125ps$ (20% to 80%), SEL = high or low, $\overline{EN} = low$, $V_{IHD} = V_{EE} + 1.2V$ to V_{CC} , $V_{ILD} = V_{EE}$ to $V_{CC} - 0.15V$, $V_{IHD} - V_{ILD} = 0.15V$ to $3V$, unless otherwise noted. Typical values are at $V_{CC} - V_{EE} = +3.3V$.) (Notes 1, 6)

| PARAMETER | SYMBOL | CONDITIONS | -40°C | | | +25°C | | | +85°C | | | UNITS |
|-------------------------------------|---|--|-------|-----|-----|-------|-----|-----|-------|-----|-----|----------|
| | | | MIN | TYP | MAX | MIN | TYP | MAX | MIN | TYP | MAX | |
| CLK to Q_ Delay (Differential) | t _{PLHD1} , t _{PHLD1} | Figure 2 | 290 | | 400 | 310 | | 440 | 300 | | 520 | ps |
| SCLK to Q_ Delay | t _{PLHD3} , t _{PHLD3} | $V_{IL} = V_{CC} - 1.55V$, $V_{IH} = V_{CC} - 1.09V$, Figure 3 | 290 | | 400 | 310 | | 440 | 300 | | 520 | ps |
| Output-to-Output Skew (Note 7) | t _{SKOO} | | | 5 | 30 | | 20 | 40 | | 20 | 50 | ps |
| Part-to-Part Skew (Note 8) | t _{SKPP} | | | | 110 | | | 130 | | | 220 | ps |
| Added Random Jitter (Note 9) | t _{RJ} | f _{IN} = 1.5GHz clock | | 0.8 | 1.2 | | 0.8 | 1.2 | | 0.8 | 1.2 | ps (RMS) |
| Added Deterministic Jitter (Note 9) | t _{DJ} | 1.5Gbps 2E ²³ -1 PRBS pattern | | 50 | 70 | | 50 | 70 | | 50 | 70 | ps (p-p) |
| Switching Frequency | f _{MAX} | ($V_{OH} - V_{OL}$) ≥ 400mV, Figure 2 | 1.5 | | | 1.5 | | | 1.5 | | | GHz |
| Output Rise/Fall Time (20% to 80%) | t _R , t _F | Figure 2 | 80 | | 120 | 90 | | 130 | 90 | | 145 | ps |

Note 1: Measurements are made with the device in thermal equilibrium.

Note 2: Current into a pin is defined as positive. Current out of a pin is defined as negative.

Note 3: DC parameters are production tested at $T_A = +25^\circ C$ and guaranteed by design over the full operating temperature range.

Note 4: Use V_{BB} only for inputs that are on the same device as the V_{BB} reference.

Note 5: All pins are open except V_{CC} and V_{EE} .

Note 6: Guaranteed by design and characterization. Limits are set at ± 6 sigma.

Note 7: Measured between outputs of the same part at the signal crossing points for a same-edge transition.

Note 8: Measured between outputs of different parts at the signal crossing points under identical conditions for a same-edge transition.

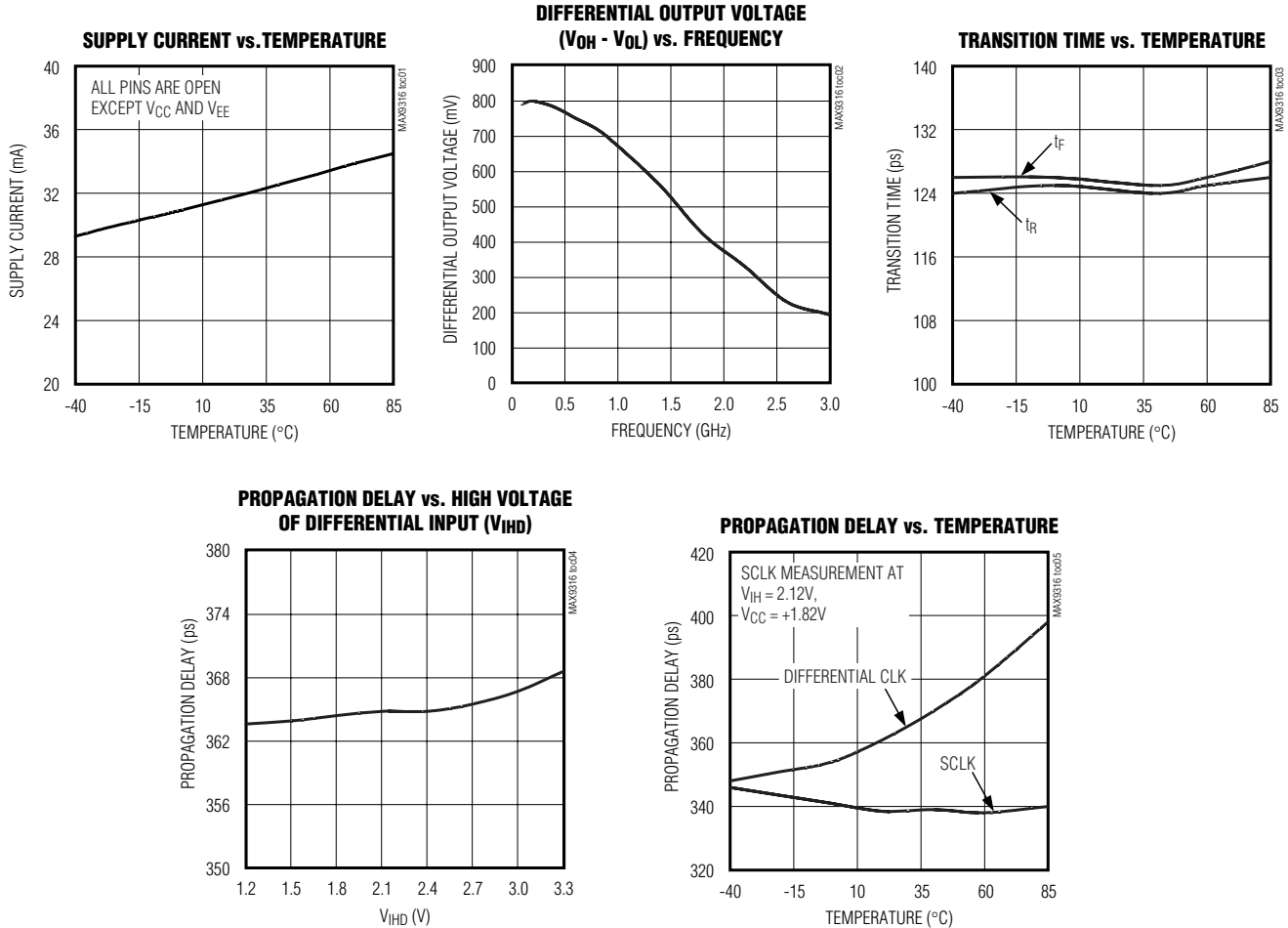
Note 9: Device jitter added to a jitter-free input signal.

1:5 Differential LVPECL/LVECL/HSTL Clock and Data Driver

MAX9316

Typical Operating Characteristics

($V_{CC} = +3.3V$, $V_{IHD} = V_{CC} - 1V$, $V_{ILD} = V_{CC} - 1.15V$, input transition time = 125ps (20% to 80%), $f_{IN} = 1.5GHz$, outputs loaded with 50Ω to $(V_{CC} - 2V)$, $T_A = +25^\circ C$, unless otherwise noted.)



1:5 Differential LVPECL/LVECL/HSTL Clock and Data Driver

Pin Description

| PIN | NAME | FUNCTION |
|--------|------------------|--|
| 1 | Q0 | Noninverting Q0 Output. Typically terminate with 50Ω resistor to (V _{CC} - 2V). |
| 2 | $\overline{Q0}$ | Inverting Q0 Output. Typically terminate with 50Ω resistor to (V _{CC} - 2V). |
| 3 | Q1 | Noninverting Q1 Output. Typically terminate with 50Ω resistor to (V _{CC} - 2V). |
| 4 | $\overline{Q1}$ | Inverting Q1 Output. Typically terminate with 50Ω resistor to (V _{CC} - 2V). |
| 5 | Q2 | Noninverting Q2 Output. Typically terminate with 50Ω resistor to (V _{CC} - 2V). |
| 6 | $\overline{Q2}$ | Inverting Q2 Output. Typically terminate with 50Ω resistor to (V _{CC} - 2V). |
| 7 | Q3 | Noninverting Q3 Output. Typically terminate with 50Ω resistor to (V _{CC} - 2V). |
| 8 | $\overline{Q3}$ | Inverting Q3 Output. Typically terminate with 50Ω resistor to (V _{CC} - 2V). |
| 9 | Q4 | Noninverting Q4 Output. Typically terminate with 50Ω resistor to (V _{CC} - 2V). |
| 10 | $\overline{Q4}$ | Inverting Q4 Output. Typically terminate with 50Ω resistor to (V _{CC} - 2V). |
| 11 | V _{EE} | Negative Supply Voltage |
| 12 | SEL | Clock Select Input (Single Ended). Drive low to select the CLK, \overline{CLK} input. Drive high to select the SCLK input. The SEL threshold is equal to V _{BB} . Internal 60kΩ pulldown to V _{EE} . |
| 13 | V _{BB} | Reference Output Voltage. Connect to the inverting or noninverting clock input to provide a reference for single-ended operation. When used, bypass with a 0.01μF ceramic capacitor to V _{CC} ; otherwise, leave it unconnected. |
| 14 | \overline{CLK} | Inverting Differential Clock Input. Internal 75kΩ pullup to V _{CC} and 75kΩ pulldown to V _{EE} . |
| 15 | CLK | Noninverting Differential Clock Input. Internal 75kΩ pulldown to V _{EE} . |
| 16 | SCLK | Single-Ended Clock Input. Internal 75kΩ pulldown to V _{EE} . |
| 17 | NC | Not Internally Connected. Solder to PC board for package thermal dissipation. |
| 18, 20 | V _{CC} | Positive Supply Voltage. Bypass V _{CC} to V _{EE} with 0.1μF and 0.01μF ceramic capacitors. Place the capacitors as close to the device as possible with the smaller value capacitor closest to the device. |
| 19 | \overline{EN} | Output Enable Input. Outputs are synchronously enabled on the falling edge of the clock input when \overline{EN} is low. Outputs are synchronously set to low on the falling edge of the clock input when \overline{EN} is high. Internal 60kΩ pulldown to V _{EE} . |

Detailed Description

The MAX9316 is a low-skew, 1-to-5 differential driver designed for clock or data distribution. A 2-to-1 MUX selects one of the two clock inputs, CLK, \overline{CLK} and SCLK. The CLK and \overline{CLK} input is differential while the SCLK is single ended. The MUX is switched by the single-ended SEL input. A logic low selects the CLK input and a logic high selects the SCLK input. The SEL logic threshold is set by the internal voltage reference V_{BB}. SEL input can be driven by V_{CC} and V_{EE} or by a single-ended LVPECL/LVECL signal. The selected input is reproduced at five differential outputs, Q0 to Q4.

Synchronous Enable

The MAX9316 is synchronously enabled and disabled with outputs in the low state to eliminate shortened clock pulses. \overline{EN} is connected to the input of an edge-triggered D flip-flop. After power-up, drive \overline{EN} low and toggle the selected clock input to enable the outputs. The outputs are enabled on the falling edge of the selected clock input after \overline{EN} goes low. The outputs are disabled to a low state on the falling edge of the selected clock input after \overline{EN} goes high. The threshold for \overline{EN} is equal to V_{BB}.

Supply

For interfacing to differential HSTL and LVPECL signals, the V_{CC} range is from +3.0 to +3.8V (with V_{EE} ground-

1:5 Differential LVPECL/LVECL/HSTL Clock and Data Driver

MAX9316

ed), allowing high-performance clock or data distribution in systems with a nominal +3.3V supply. For interfacing to differential LVECL, the V_{EE} range is -3.0V to -3.8V (with V_{CC} grounded). Output levels are referenced to V_{CC} and are considered LVPECL or LVECL, depending on the level of the V_{CC} supply. With V_{CC} connected to a positive supply and V_{EE} connected to ground, the outputs are LVPECL. The outputs are LVECL when V_{CC} is connected to ground and V_{EE} is connected to a negative supply.

Input Bias Resistors

When the inputs are open, the internal bias resistors set the inputs to low state. The inverting input (CLK) is biased with a $75k\Omega$ pullup to V_{CC} and a $75k\Omega$ pulldown to V_{EE} . The noninverting inputs (CLK) and the single-ended input (SCLK) are each biased with a $75k\Omega$ pull-down to V_{EE} . The single-ended \overline{EN} and SEL inputs are each biased with a $60k\Omega$ pulldown to V_{EE} .

Differential Clock Input Limits

The maximum magnitude of the differential signal applied to the differential clock input is 3.0V. This limit also applies to the difference between any reference voltage input and a single-ended input. Specifications for the high and low voltages of a differential input (V_{IHD} and V_{ILD}) and the differential input voltage ($V_{IHD} - V_{ILD}$) apply simultaneously.

Single-Ended Clock Input and V_{BB}

The differential clock input can be configured to accept a single-ended input. This is accomplished by connecting the on-chip reference voltage, V_{BB} , to the inverting or noninverting input of the differential input as a reference. For example, the differential CLK, \overline{CLK} input is converted to a noninverting, single-ended input by connecting V_{BB} to \overline{CLK} and connecting the single-ended input signal to CLK. Similarly, an inverting configuration is obtained by connecting V_{BB} to CLK and connecting the single-ended input to \overline{CLK} . With a differential input configured as single ended (using V_{BB}), the single-ended input can be driven to V_{CC} and V_{EE} or with a single-ended LVPECL/LVECL signal. Note that the single-ended input must be least $V_{BB} \pm 95mV$ or a differential input of at least 95mV to switch the outputs to the V_{OH} and V_{OL} levels specified in the *DC Electrical Characteristics* table.

When using the V_{BB} reference output, bypass it with a $0.01\mu F$ ceramic capacitor to V_{CC} . If the V_{BB} reference is not used, leave it open. The V_{BB} reference can source or sink 0.5mA. Use V_{BB} only for an input that is on the same device as the V_{BB} reference.

Applications Information

Supply Bypassing

Bypass V_{CC} to V_{EE} with high-frequency surface-mount ceramic $0.1\mu F$ and $0.01\mu F$ capacitors in parallel as close to the device as possible, with the $0.01\mu F$ capacitor closest to the device. Use multiple parallel vias to minimize parasitic inductance. When using the V_{BB} reference output, bypass it with a $0.01\mu F$ ceramic capacitor to V_{CC} (if the V_{BB} reference is not used, it can be left open).

Controlled-Impedance Traces

Input and output trace characteristics affect the performance of the MAX9316. Connect input and output signals with 50Ω characteristic impedance traces. Minimize the number of vias to prevent impedance discontinuities. Reduce reflections by maintaining the 50Ω characteristic impedance through cables and connectors. Reduce skew within a differential pair by matching the electrical length of the traces.

Output Termination

Terminate outputs with 50Ω to $V_{CC} - 2V$ or use an equivalent Thevenin termination. When a single-ended signal is taken from a differential output, terminate both outputs. For example, if Q0 is used as a single-ended output, terminate both Q0 and $\overline{Q0}$.

Chip Information

TRANSISTOR COUNT: 616

PROCESS: Bipolar

1:5 Differential LVPECL/LVECL/HSTL Clock and Data Driver

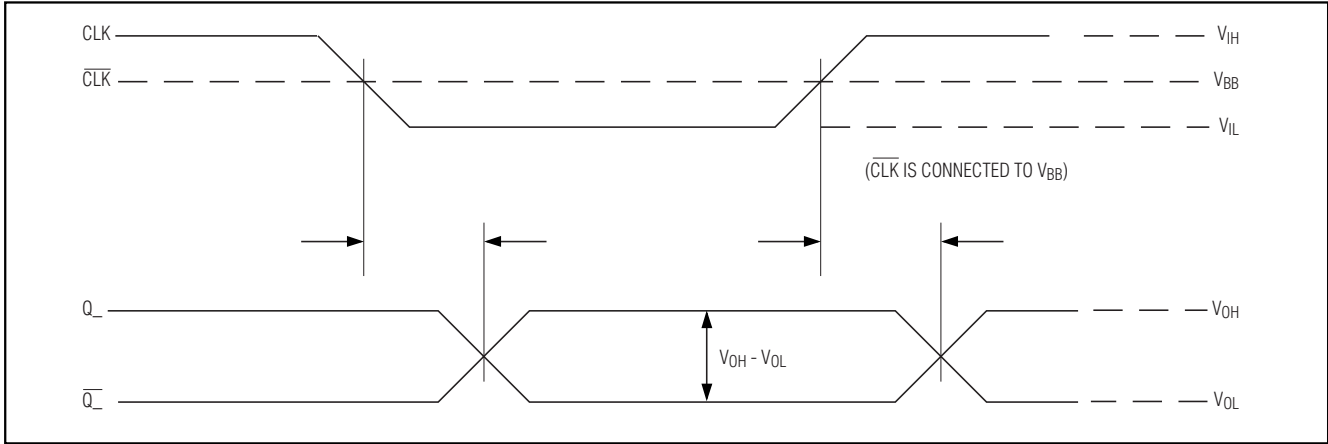


Figure 1. MAX9316 Switching Characteristics with Single-Ended Input

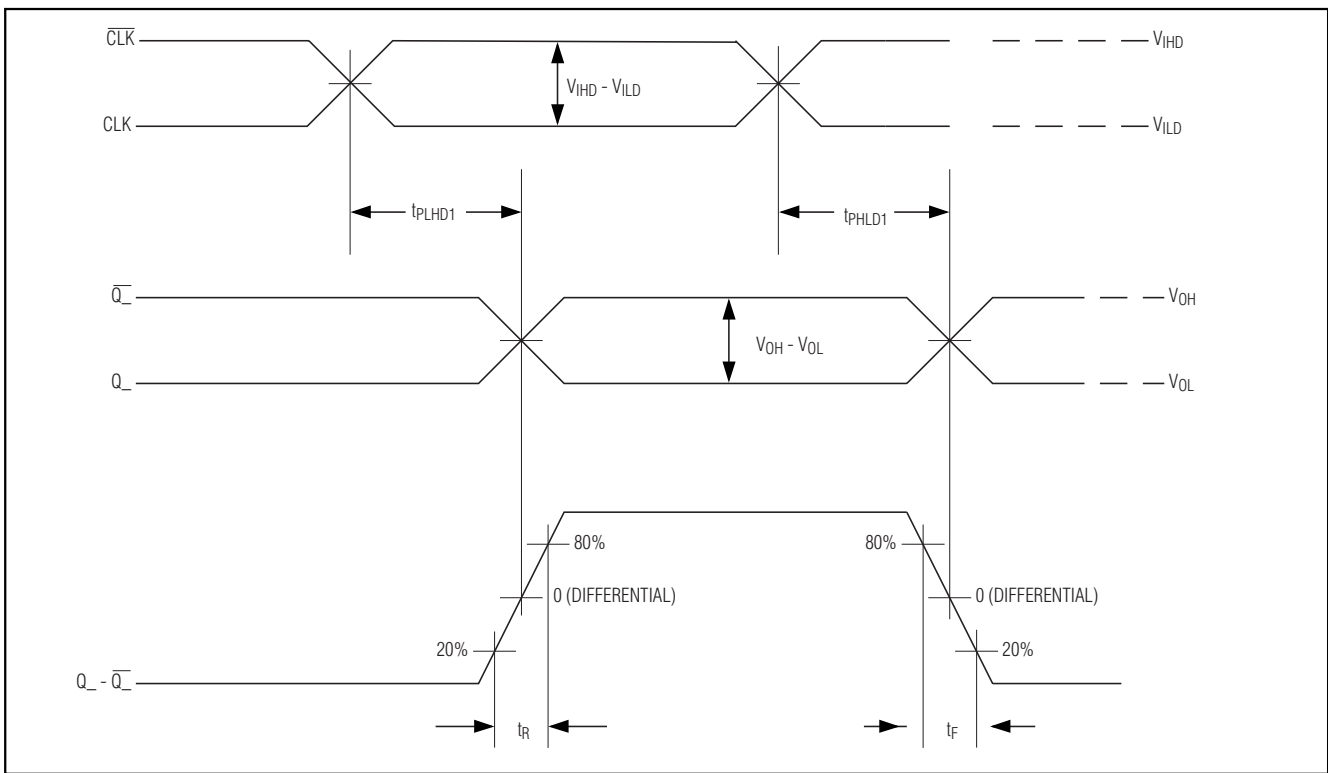


Figure 2. MAX9316 Timing Diagram

1:5 Differential LVPECL/LVECL/HSTL Clock and Data Driver

MAX9316

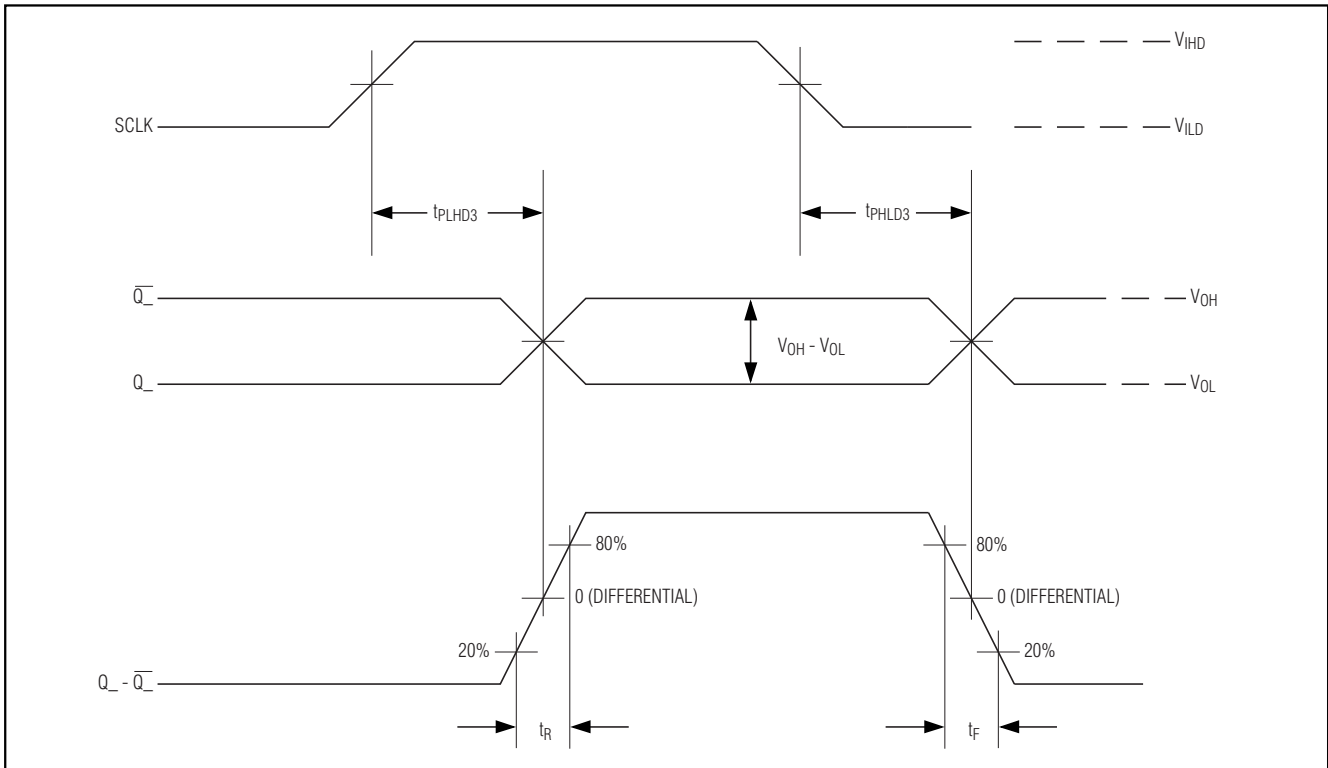


Figure 3. MAX9316 Timing Diagram for SCLK

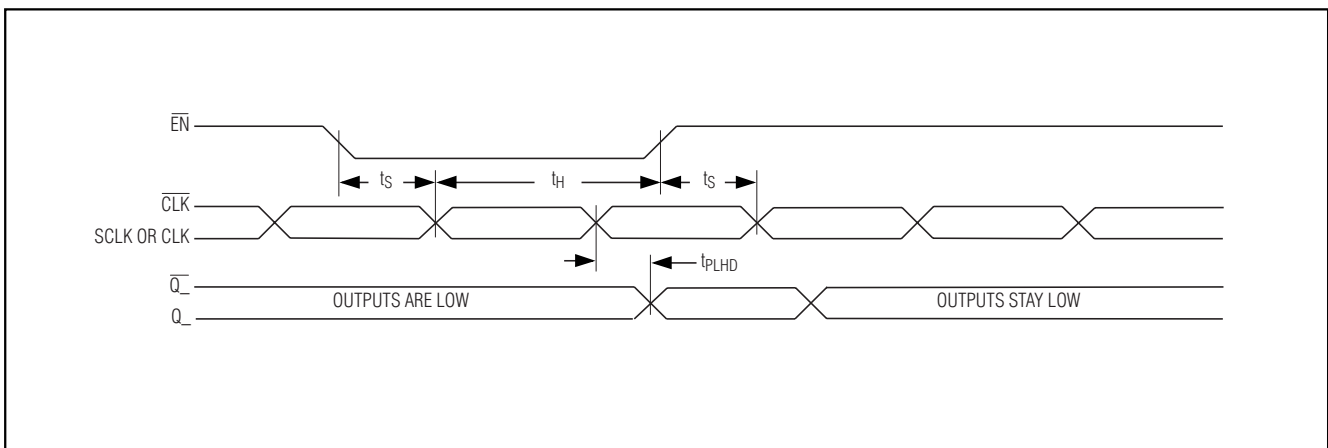
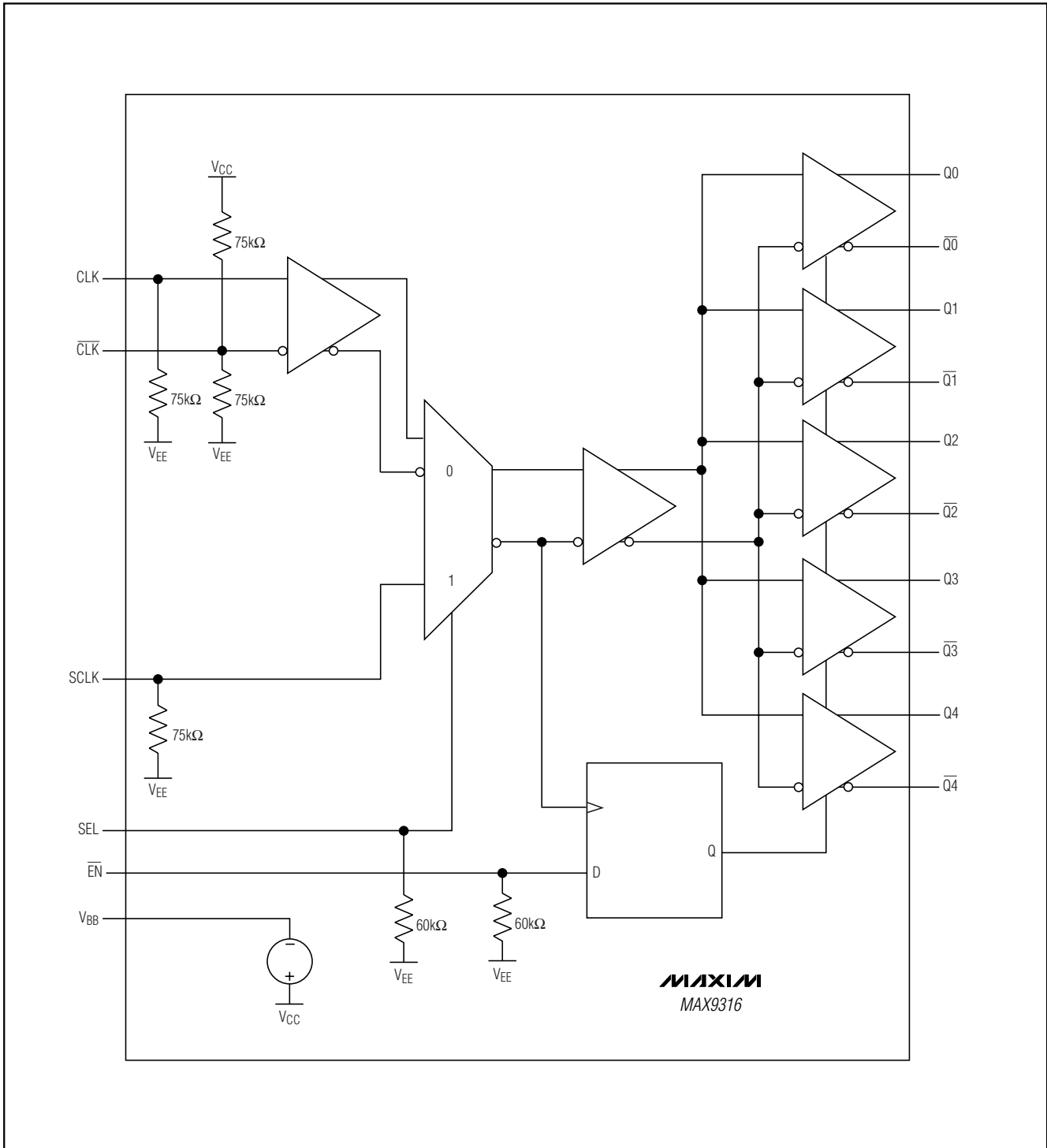


Figure 4. MAX9316 \overline{EN} Timing Diagram

1:5 Differential LVPECL/LVECL/HSTL Clock and Data Driver

Functional Diagram



1:5 Differential LVPECL/LVECL/HSTL Clock and Data Driver

Package Information

MAX9316

TOP VIEW

BOTTOM VIEW

SIDE VIEW

END VIEW

LEAD TIP DETAIL

| COMMON DIMENSIONS | | | | |
|-------------------|-------------------|-------|----------------|-------|
| | MILLIMETERS | | INCHES | |
| | MIN. | MAX. | MIN. | MAX. |
| A | 1.10 | | | |
| A ₁ | 0.05 | 0.15 | .002 | .006 |
| A ₂ | 0.85 | 0.95 | .033 | .037 |
| b | 0.19 | 0.30 | .007 | .012 |
| b ₁ | 0.19 | 0.25 | .007 | .010 |
| c | 0.090 | 0.20 | .0035 | .008 |
| c ₁ | 0.090 | 0.135 | .0035 | .0053 |
| D | SEE VARIATIONS | | SEE VARIATIONS | |
| E | 4.30 | 4.50 | .169 | .177 |
| e | 0.65 BSC .026 BSC | | | |
| H | 6.25 | 6.50 | .246 | .256 |
| L | 0.50 | 0.70 | .020 | .028 |
| N | SEE VARIATIONS | | SEE VARIATIONS | |
| Y | 2.85 | 3.15 | .112 | .124 |
| α | 0° | 8° | 0° | 8° |

| JEDEC | | VARIATIONS | | | | |
|--------|----|-------------|------|--------|------|------|
| MO-153 | N | MILLIMETERS | | INCHES | | |
| | | MIN. | MAX. | MIN. | MAX. | |
| AB | 14 | D | 4.90 | 5.10 | .193 | .201 |
| AC | 16 | D | 4.90 | 5.10 | .193 | .201 |
| AC-EP | 16 | D | 4.90 | 5.10 | .193 | .201 |
| | | X | 2.85 | 3.15 | .112 | .124 |
| AD | 20 | D | 6.40 | 6.60 | .252 | .260 |
| AD-EP | 20 | D | 6.40 | 6.60 | .252 | .260 |
| | | X | 4.00 | 4.34 | .157 | .171 |
| AF | 24 | D | 7.70 | 7.90 | .303 | .311 |
| AF | 28 | D | 9.60 | 9.80 | .378 | .386 |
| AF-EP | | D | 9.60 | 9.80 | .378 | .386 |
| | | X | 5.35 | 5.65 | .211 | .222 |

NOTES:

- DIMENSIONS D AND E DO NOT INCLUDE FLASH.
- MOLD FLASH OR PROTRUSIONS NOT TO EXCEED .15 mm PER SIDE.
- CONTROLLING DIMENSION: MILLIMETER.
- MEETS JEDEC OUTLINE MO-153 VARIATIONS AB, AC, AD, AE, AF.
- DIMENSIONS X AND Y APPLY TO EXPOSED PAD (EP) VERSIONS ONLY.
- EXPOSED PAD FLUSH WITH BOTTOM OF PACKAGE WITHIN .002".

MAXIM

PROPRIETARY INFORMATION

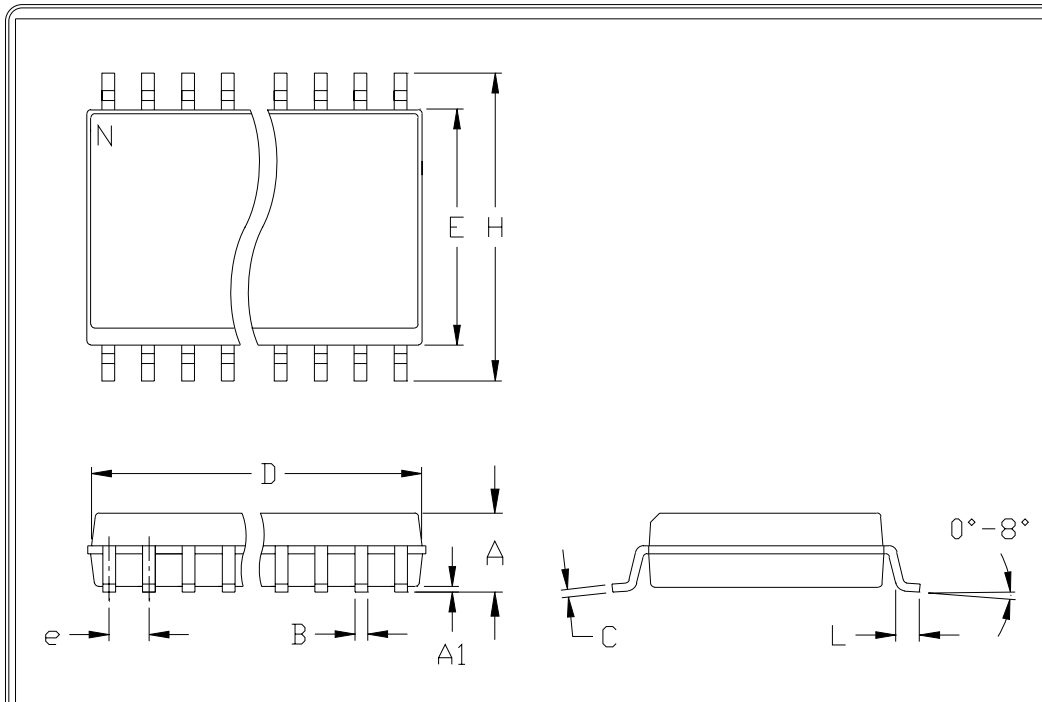
TITLE:
PACKAGE OUTLINE, TSSOP, 4.40mm BODY, 0.65mm PITCH

| | | | |
|----------|----------------------|-----|-----|
| APPROVAL | DOCUMENT CONTROL NO. | REV | |
| | 21-0066 | C | 1/1 |

TSSOP-EP8

1:5 Differential LVPECL/LVECL/HSTL Clock and Data Driver

Package Information (continued)



| | INCHES | | MILLIMETERS | |
|----|--------|-------|-------------|-------|
| | MIN | MAX | MIN | MAX |
| A | 0.093 | 0.104 | 2.35 | 2.65 |
| A1 | 0.004 | 0.012 | 0.10 | 0.30 |
| B | 0.014 | 0.019 | 0.35 | 0.49 |
| C | 0.009 | 0.013 | 0.23 | 0.32 |
| e | 0.050 | | 1.27 | |
| E | 0.291 | 0.299 | 7.40 | 7.60 |
| H | 0.394 | 0.419 | 10.00 | 10.65 |
| h | 0.010 | 0.030 | 0.25 | 0.75 |
| L | 0.016 | 0.050 | 0.40 | 1.27 |

| | INCHES | | MILLIMETERS | | | |
|---|--------|-------|-------------|-------|----|-------|
| | MIN | MAX | MIN | MAX | N | MS013 |
| D | 0.398 | 0.413 | 10.10 | 10.50 | 16 | AA |
| D | 0.447 | 0.463 | 11.35 | 11.75 | 18 | AB |
| D | 0.496 | 0.512 | 12.60 | 13.00 | 20 | AC |
| D | 0.598 | 0.614 | 15.20 | 15.60 | 24 | AD |
| D | 0.697 | 0.713 | 17.70 | 18.10 | 28 | AE |

- NOTES:
1. D&E DO NOT INCLUDE MOLD FLASH
 2. MOLD FLASH OR PROTRUSIONS NOT TO EXCEED .15mm (.006")
 3. LEADS TO BE COPLANAR WITHIN .102mm (.004")
 4. CONTROLLING DIMENSION: MILLIMETER
 5. MEETS JEDEC MS013-XX AS SHOWN IN ABOVE TABLE
 6. N = NUMBER OF PINS

| | | | |
|--|--|------------|---|
| <p>120 SAN GABRIEL DR. SUNNYVALE CA 94086 FAX (408) 737 7754 PROPRIETARY INFORMATION</p> | <p>PACKAGE FAMILY OUTLINE: SOIC .300"</p> <p>TITLE</p> | <p>1/1</p> | <p>21-0042 A</p> <p>DOCUMENT CONTROL NUMBER REV</p> |
|--|--|------------|---|

Maxim cannot assume responsibility for use of any circuitry other than circuitry entirely embodied in a Maxim product. No circuit patent licenses are implied. Maxim reserves the right to change the circuitry and specifications without notice at any time.

12 _____ **Maxim Integrated Products, 120 San Gabriel Drive, Sunnyvale, CA 94086 408-737-7600**