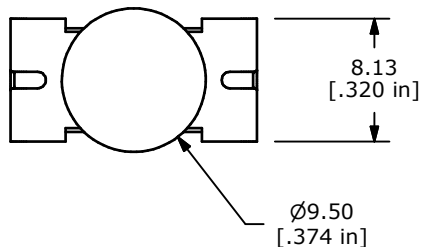
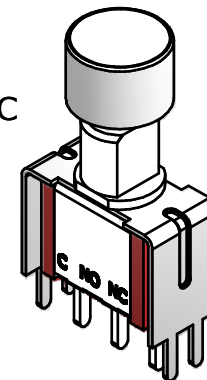


P.C. MOUNTING

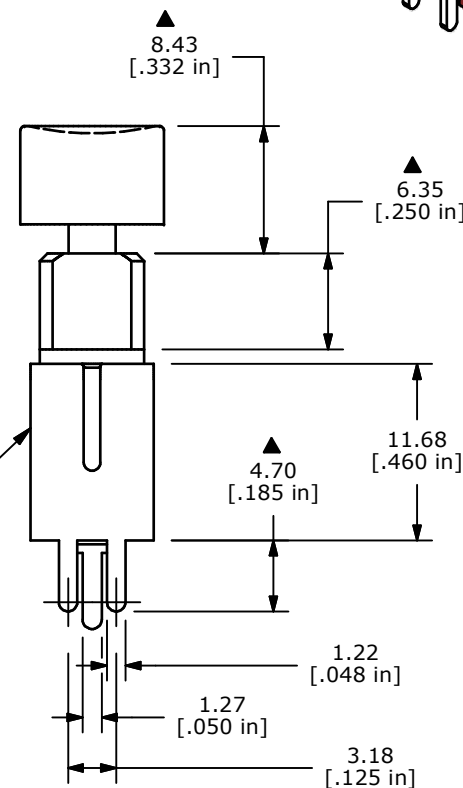
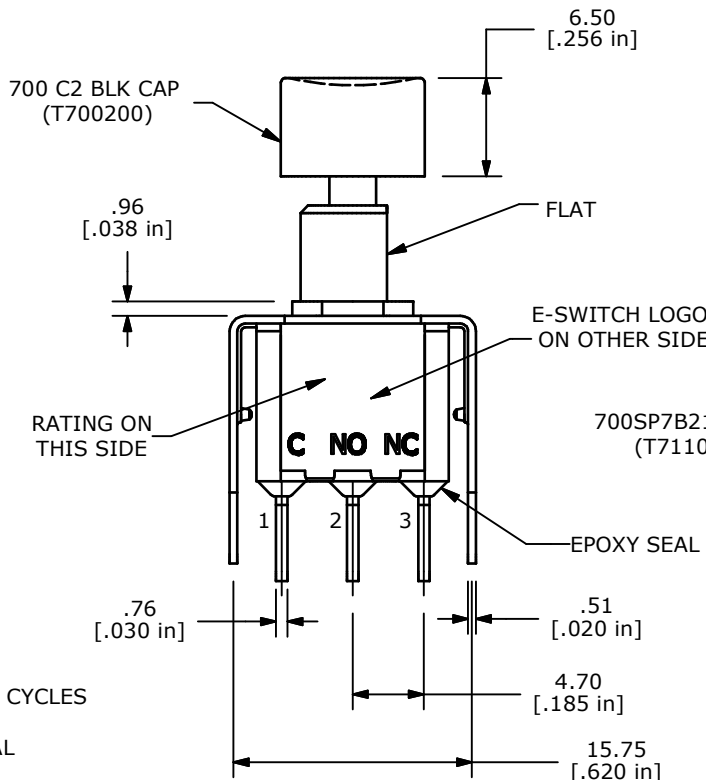
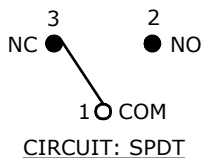


ISOMETRIC



SWITCH FUNCTION	
POS. 1	POS. 2
ON	(ON)
1-3	1-2

(ON)=MOMENTARY



NOTE:

1. ALL DIMENSIONS IN MM [INCH]
2. GENERAL TOLERANCE: X.X=±0.4
X.XX=±0.25
3. TERMINAL NUMBERS FOR REF ONLY
- ▲ 4. CONTACT MATERIAL: SILVER
5. RATING: 1A @ 250 VAC
3A @ 125 VAC or 28 VDC
6. LIFE EXPECTANCY: 50,000 MAKE-AND-BREAK CYCLES
AT FULL LOAD (min).
7. CONTACT RESISTANCE: 20 milli-OHMS INITIAL
@ 2-4 VDC
8. INSULATION RESISTANCE: 1,000 MEGA-OHM MIN.
9. DIELECTRIC STRENGTH: 1,000 V RMS @ SEA LEVEL.
11. TRAVEL: 1.20mm TYP.
10. OPERATING TEMP.: -30°C to 85°C
11. ▲ DENOTES CRITICAL PARAMETER.
12. 2002/95/EC (ROHS) COMPLIANT.



A	18188	RELEASE FOR PRODUCTION	7/30/08	BLR
REV	PCR NO	DESCRIPTION	DATE	BY

TITLE 700SP7B21VS2QEC2BLK				
SCALE	DATE	DR	DWG	REV
2:1	7/30/2008	BLR	XT0051P	A

THE INFORMATION CONTAINED IN THIS DOCUMENT IS PROPRIETARY TO E-SWITCH AND IS NOT TO BE COPIED OR TRANSFERRED