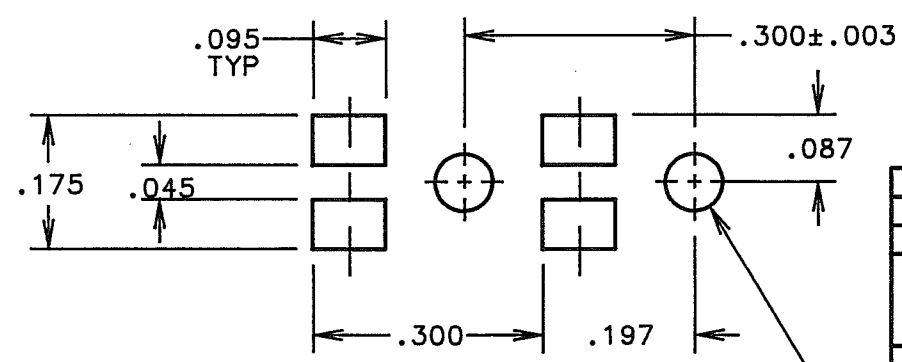
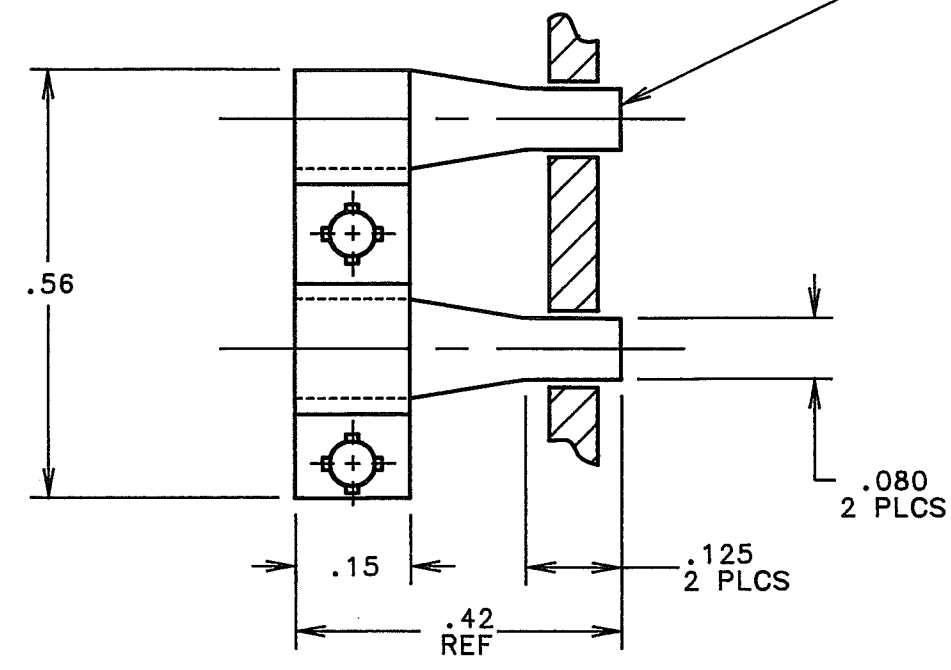


DIFFUSED FRONT SURFACE
2 PLCS.

(FRONT PANEL NOT SHOWN IN THIS VIEW)



2X \varnothing .076 ± .002

RECOMMENDED P.C. BOARD
SOLDER PAD & HOLE LAYOUT

- NOTES:
1. COMPONENT TO BE MOLDED IN A CLEAR TRANSMISSIVE POLYCARBONATE.
 2. COMPONENT DESIGNED TO BE PRESSED ONTO P.C. BOARD.

B	ADDED DIMENSION: .045, .56	L.R.	11-21-96
A	NEW RELEASE	M.C.	N.O. 10-10-96
LTR	ECN NO.	REVISIONS	DRN. APP. DATE
THIS DRAWING AND THE CONTENTS HEREIN ARE CONFIDENTIAL AND THE SOLE PROPERTY OF DIALIGHT. REPRODUCTION OF THIS DRAWING OR CONSTRUCTION OF ANY PARTS WITHIN THIS DRAWING ARE FORBIDDEN WITHOUT THE PRIOR WRITTEN CONSENT OF DIALIGHT.			
SCALE: 6:1		CUSTOMER DRAWING NO.	DWG. REV.
TOLERANCES: UNLESS OTHERWISE SPECIFIED ALL DIM'S IN: INCHES		C-16149	B
FRACTIONS: ± 1/64 DECIMALS(.XX) ± .02 DECIMALS(.XXX) ± .015 ANGLES ± 3°		TITLE	2-ELEMENT LIGHTPIPE
FINISH:		PART NUMBER	515-1051
FSCM	83330	Dialight	1913 Atlantic Ave. Manasquan, NJ 08736