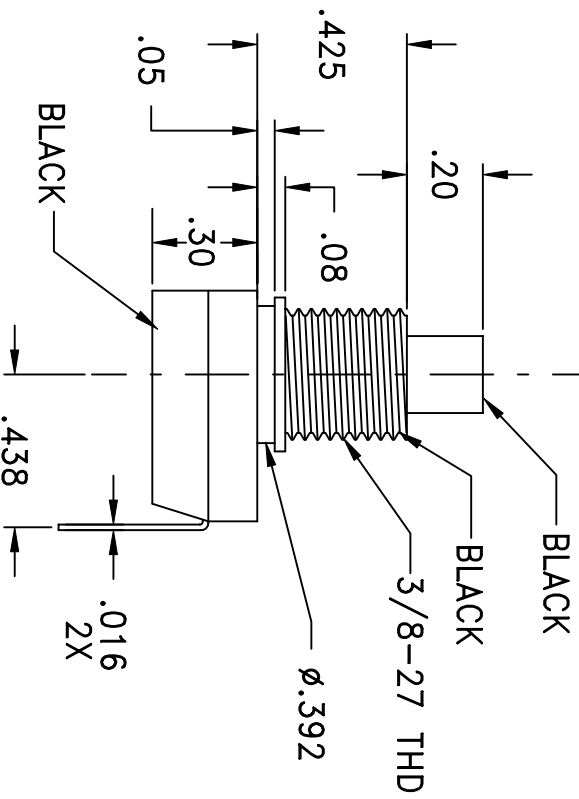
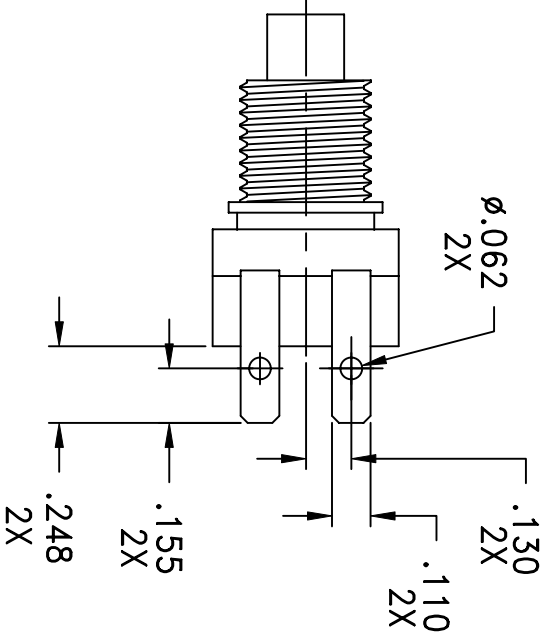
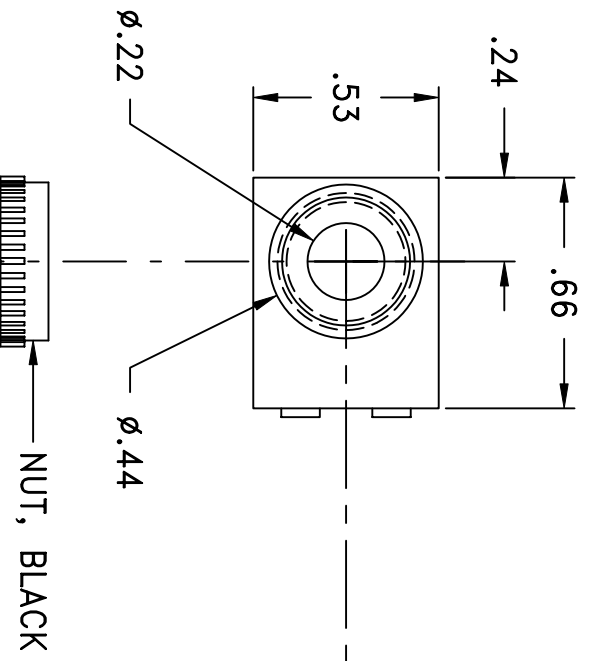


LTR	EN	DESCRIPTION	APPR	BY	DATE
A	-	INITIAL RELEASE	MT	DC	12-28-07

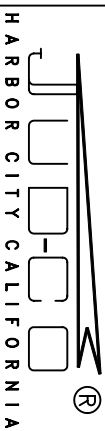


JUDCO INVENTORY NO. 40-4685-00
 SWITCH TYPE: SPST, PUSH ON - PUSH OFF
 UL ELECTRICAL RATING: 14 VDC, 10A
 UL TEMPERATURE RATING: 55°C
 NUT INCLUDED

CUSTOMER: DIGI-KEY
 CUSTOMER PN: TBD

APPROVED BY: _____
 DATE: _____

DIMENSIONS IN INCHES
 DIMENSIONS ARE REFERENCE



OUTLINE

DRAWN: DC 12-28-07 DWG. NO. 1415-1281

APPR: KJ 12-28-07

ENG'G: IS 12-28-07

1415U1281A.DWG SHEET 1 OF 1

This document embodies a product, component, and/or design proprietary to JUDCO MANUFACTURING INC., and which is protected either as a trade secret, by U.S. Patent, or by copyright. It may not be used in any way without written express consent of JUDCO MANUFACTURING INC.