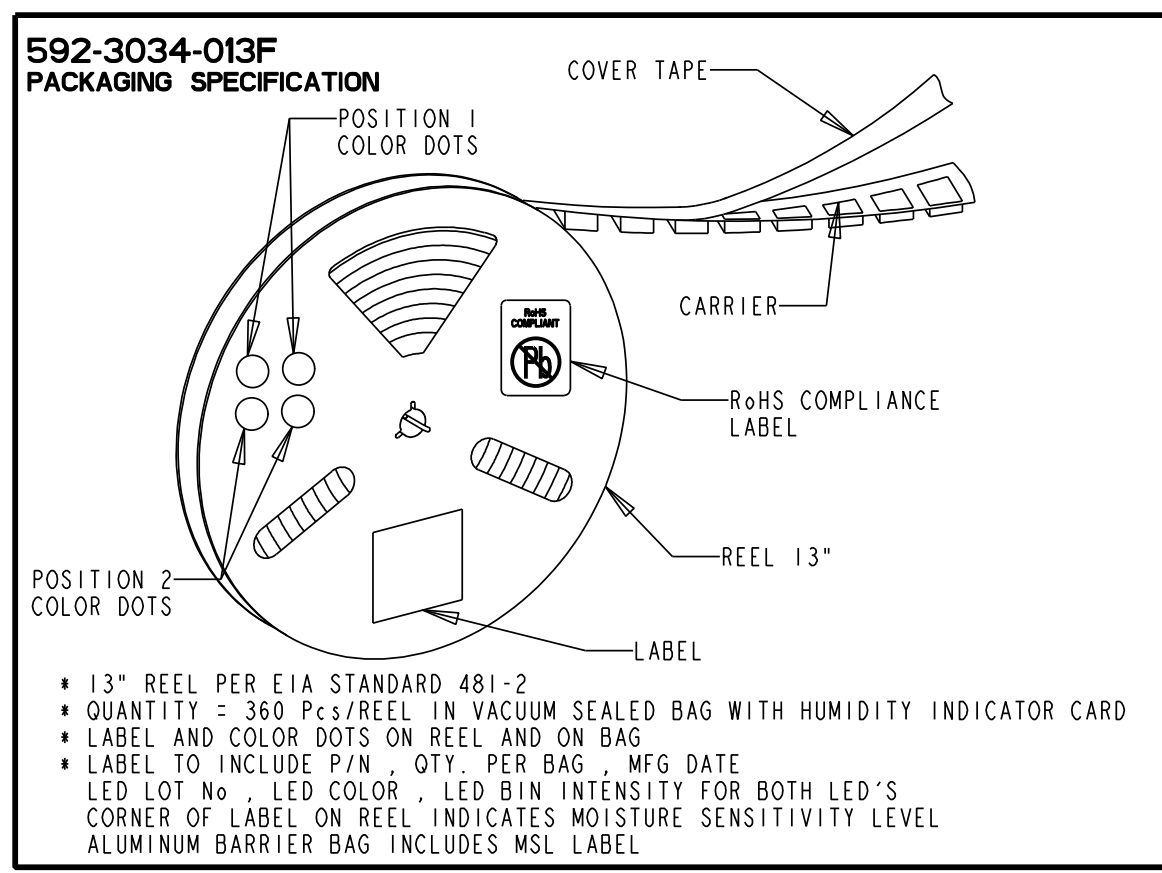
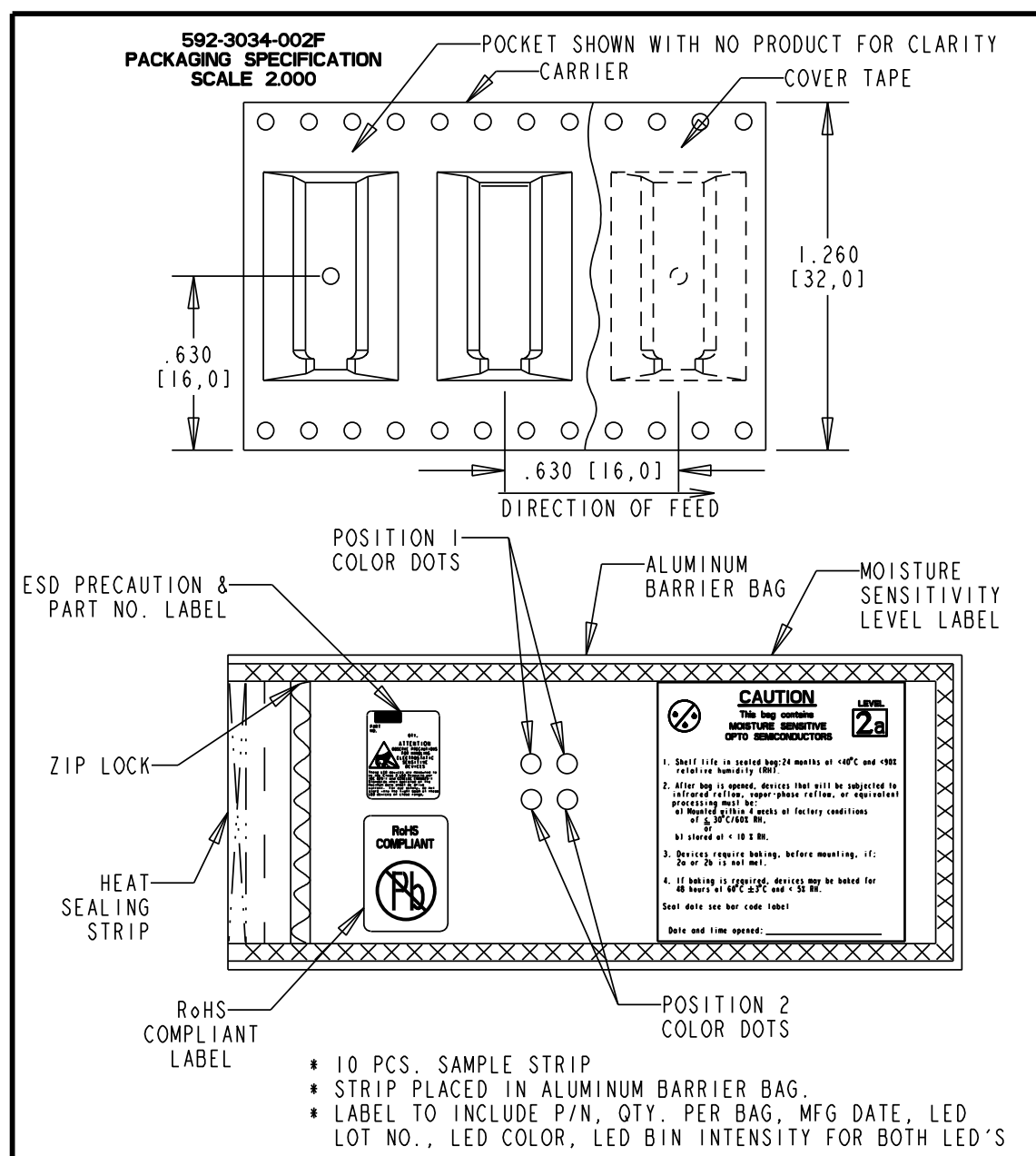
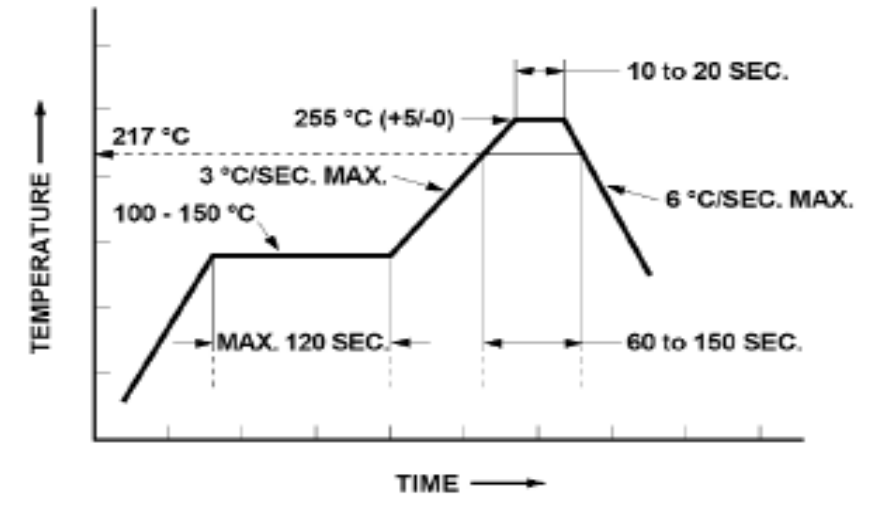


REV.	ECN NO.	REVISIONS	DRN.	CKD.	APP.	DATE
A		NEW RELEASE	TWC			



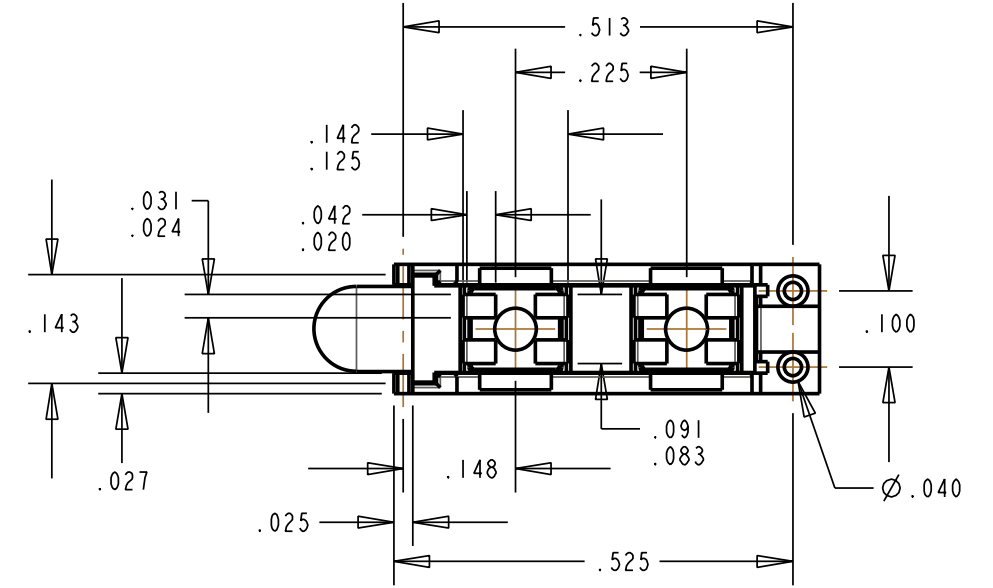
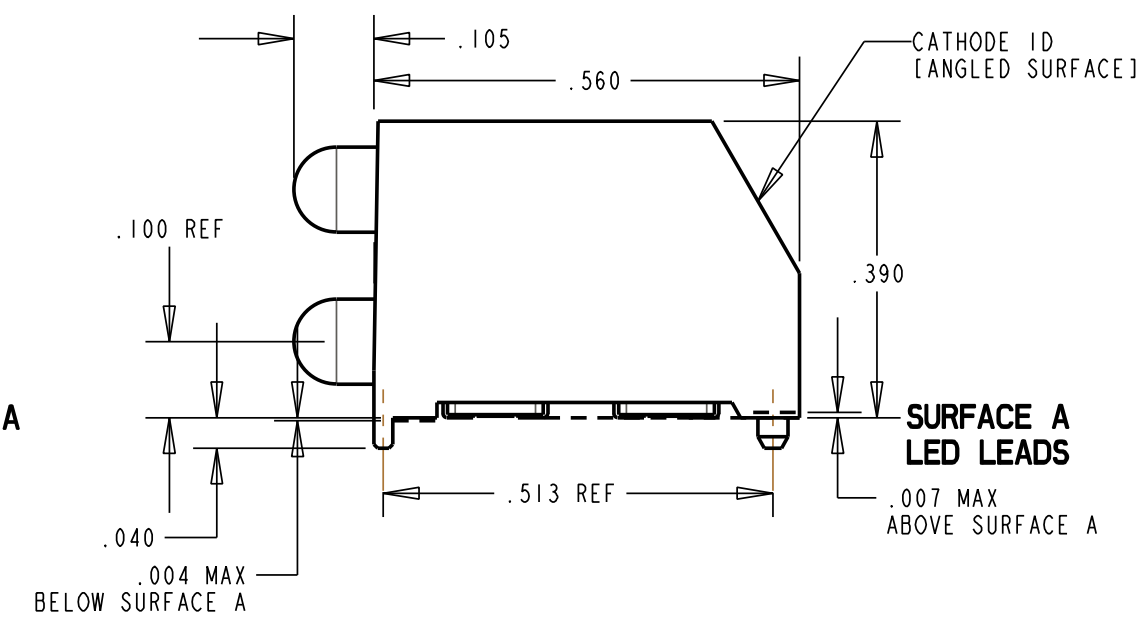
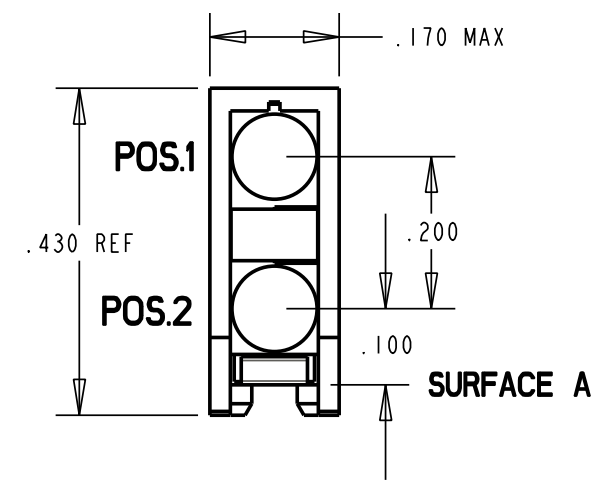
PART NUMBER	POSITION 1	POSITION 2	MOISTURE LEVEL
592-3034-002F	RED/GREEN	RED/BLUE	2a
592-3034-013F			



REFLOW PROFILE FOR RoHS COMPLIANT PART

LED CHARACTERISTICS	COLOR	MIN.	TYP.	MAX.	UNITS	TEST CONDITIONS
LUMINOUS INTENSITY	RED	TBD	TBD	TBD	mcd	I <sub>f</sub> = 20 mA
	GREEN	TBD	TBD	TBD		
FORWARD VOLTAGE	RED		2.0	2.5	V	I <sub>f</sub> = 20 mA
	GREEN		2.0	2.5		
REVERSE CURRENT	RED		.01	10.0	mA	V <sub>r</sub> = 5 V
	GREEN		.01	10.0		
PEAK WAVELENGTH	RED		635		nm	
	GREEN		572			
DOMINANT WAVELENGTH	RED	622	628	634	nm	
	GREEN	564	570	576		
VIEWING ANGLE (2 q 1/2)	RED		120		DEG.	I <sub>f</sub> = 20 mA
	GREEN		120			

ABSOLUTE MAXIMUM RATINGS AT 25 °C AMBIENT	RED / GREEN	AllnGaP RED	GaN BLUE	UNITS
POWER DISSIPATION	95	80	90	mW
CONTINUOUS FORWARD CURRENT	30	30	20	mA
REVERSE VOLTAGE	5	12	5	mA
LEAD SOLDERING TEMPERATURE FOR 15 SEC.	260			°C
OPERATING TEMPERATURE	-40 TO +100			°C
STORAGE TEMPERATURE	-40 TO +100			°C



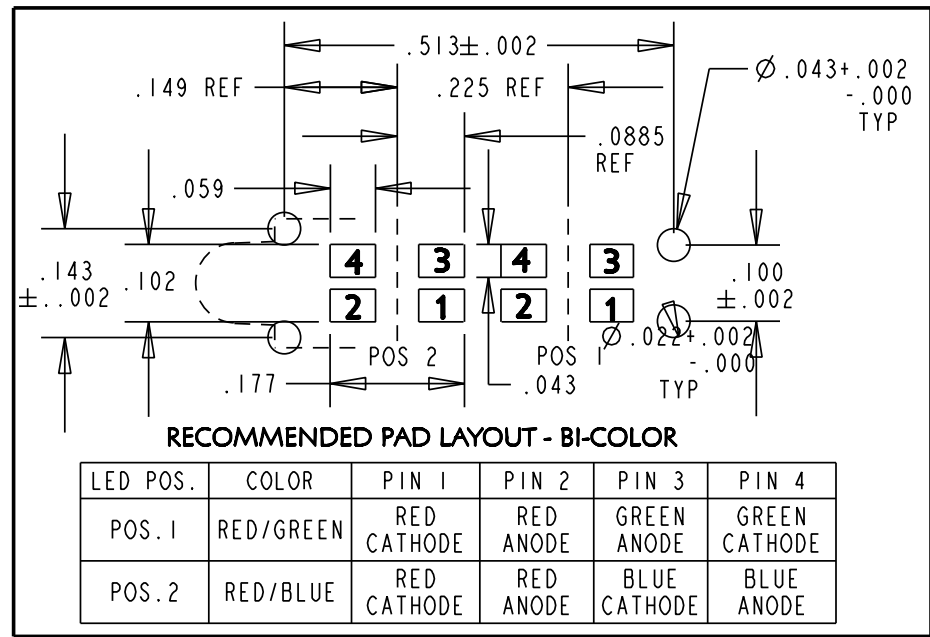
NOTES:

- 1- STORAGE OF TAPED PARTS SHALL NOT EXCEED TWELVE (12) MONTHS AFTER WHICH RE-PACKAGING IS REQUIRED
- 2- FRONT AND REAR TERMINALS [OF EACH LED] OF THE ASSEMBLY TO BE WITHIN .005 COPLANARITY
- 3- MOISTURE SENSITIVITY LEVEL: A LABEL WILL BE PLACED ON THE BAG
- 4- THIS ASSEMBLY CONTAINS ELECTROSTATIC DISCHARGE SENSITIVE DEVICES (ESDS). MAINTAIN ALL PRECAUTIONARY MEASURES DURING ASSEMBLY, HANDLING AND STORAGE IN ACCORDANCE WITH IPC-A-610.
- 5- DIALIGHT PART NUMBERS = 592-3034-002F [STRIP] 592-3034-013F [13" REEL]

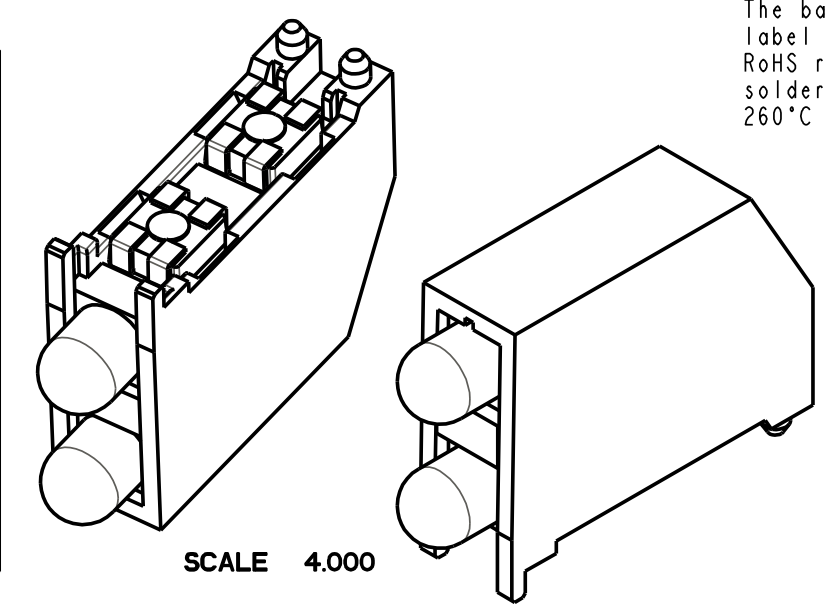


**RoHS Compliant 592-3034-0XXF Bi-level Surface Mount Prism**

Part Numbers with the "F" suffix ending are RoHS Compliant. Example: 592-3034-013F  
The bag and reel are marked with "RoHS Compliant" label or equivalent markings. Parts can be reflow soldered per RoHS reflow profile, wave soldered, dip soldered or hand soldered using typical lead-free soldering process with max 260°C temp. for 10-20 sec.



OPERATING CHARACTERISTICS AT 25°C AMBIENT						
CHARACTERISTICS	COLOR	MIN	TYP	MAX	UNITS	TEST CONDITIONS
LUMINOUS INTENSITY	AllnGaP RED	TBD	TBD	TBD	mcd	I <sub>f</sub> = 20 mA
	GaN BLUE	TBD	TBD	TBD		
FORWARD VOLTAGE	AllnGaP RED		1.9	2.4	V	I <sub>f</sub> = 20 mA
	GaN BLUE		4.0	4.1		
REVERSE CURRENT	AllnGaP RED		100	10	mA	V <sub>r</sub> = 5 V
	GaN BLUE		10	10		
DOMINANT WAVELENGTH	AllnGaP RED	621	626	632	nm	I <sub>f</sub> = 20 mA
	GaN BLUE	460	470	475		
PEAK EMISSION WAVELENGTH	AllnGaP RED		635		nm	I <sub>f</sub> = 20 mA
	GaN BLUE		468			
VIEWING ANGLE 2 q 1/2	AllnGaP RED		120		Degree	
	GaN BLUE		120			



THIS DRAWING AND THE CONTENTS HEREIN ARE CONFIDENTIAL AND THE SOLE PROPERTY OF DIALIGHT. REPRODUCTION OF THIS DRAWING OR CONSTRUCTION OF ANY PARTS WITHIN THIS DRAWING ARE FORBIDDEN WITHOUT THE WRITTEN CONSENT OF DIALIGHT.

SCALE: 4.000

ALL DIM'S IN: INCHES (MM)

TOLERANCES: UNLESS OTHERWISE SPECIFIED

FRACTIONS: ±1/64

DECIMALS (.XX): ±.02

DECIMALS (.XXX): ±.015

DECIMALS (.XXXX): ±.0005

ANGLES: ±3°

FINISH:

FSCM 83330

DRAWING NUMBER: C-17415

REV: A

TITLE: BI-LEVEL PRISM, BI-COLOR, R,G/R,B, RoHS COMPLIANT

MATERIAL:

Dialight

1501 ROUTE 34 SOUTH FARMINGDALE, NJ 07727

SHEET 1 OF 1 FAMILY TABLES: