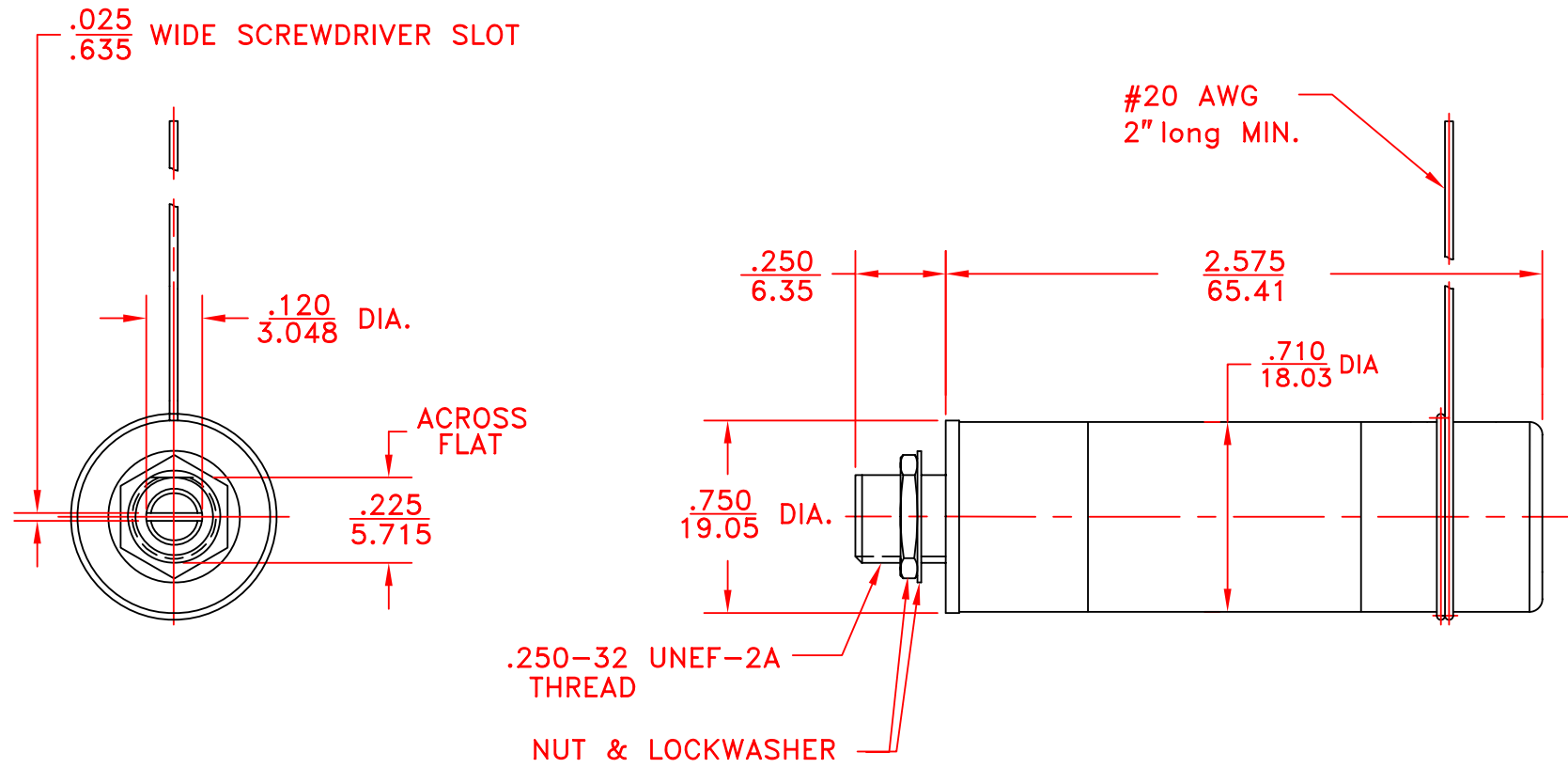


REV	DESCRIPTION	DATE	APP
00	NEW DWG	04/12/18	R.L.



NOTES:

1. CAPACITANCE:  $C_{max} \geq 100$  pF,  $C_{min} \leq 5.0$  pF.
2. WORKING VOLTAGE: 10,000 VDC.
3. WITHSTANDING VOLTAGE: 20,000 VDC.
4.  $Q \geq 600$  @ 25MHZ
5. TORQUE: 0.5 TO 5.0 oz-in.
6. CONSTRUCTION: 40 psi sealed, non magnetic.
7. DIMENSIONS: in/mm
8. OPERATING TEMPERATURE: -55°C UP TO 125°C
9. ROTATIONAL LIFE: 10,000 TURNS

TOLERANCES: (EXCEPT AS NOTED)		SPRAGUE GOODMAN ELECTRONICS INC. 1700 SHAMES DRIVE WESTBURY, NY 11590		
DECIMAL: $\pm .002$ in $\pm .051$ mm	MATERIAL:	SCALE: NONE	DRAWN BY: R. LEVIN	
FRACTIONAL: 1/64	TITLE: SGNM100-10		USED FOR:	
ANGULAR: 1°	DATE: 04/12/18	DRAWING NUMBER SGNM100-10		REV. 00