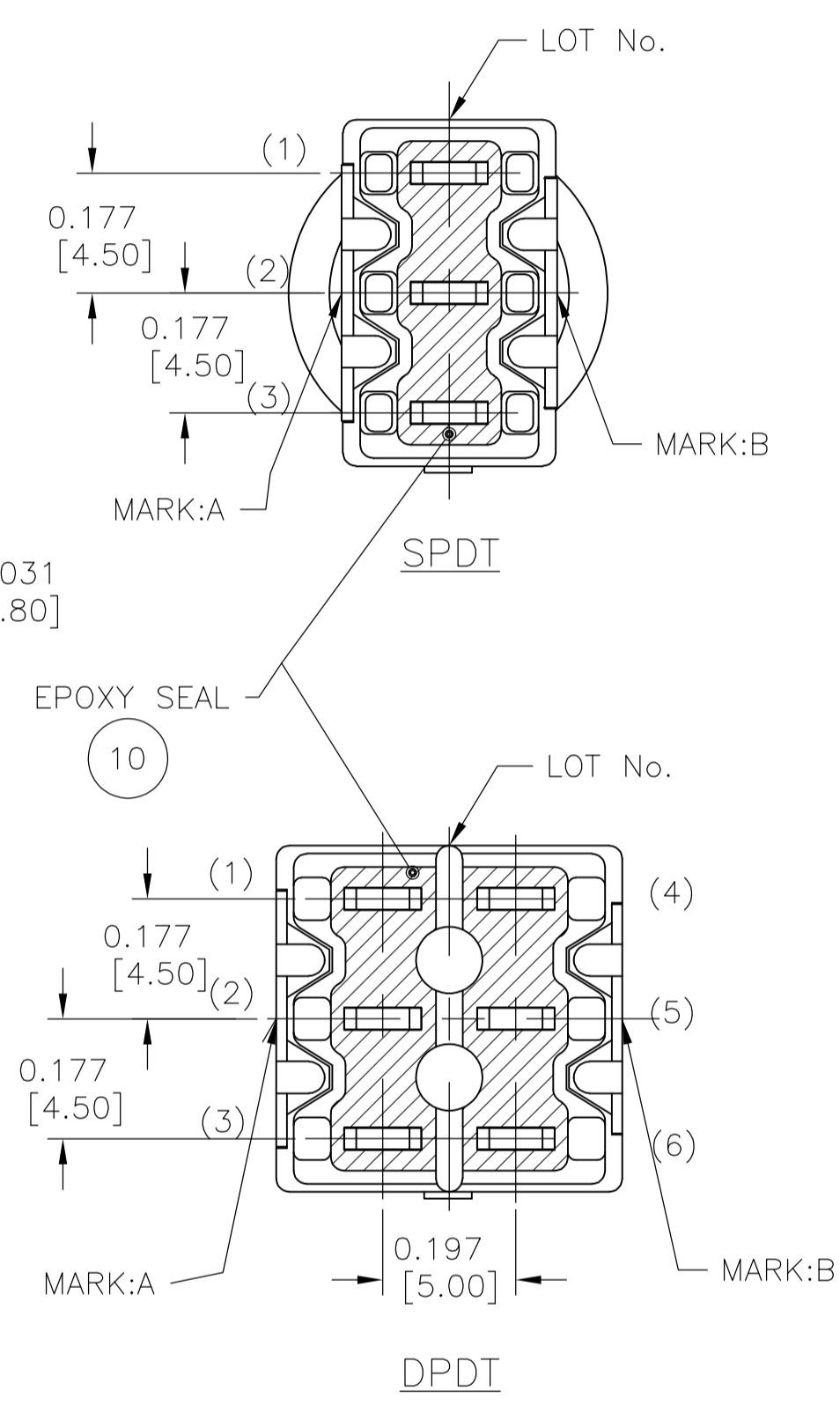
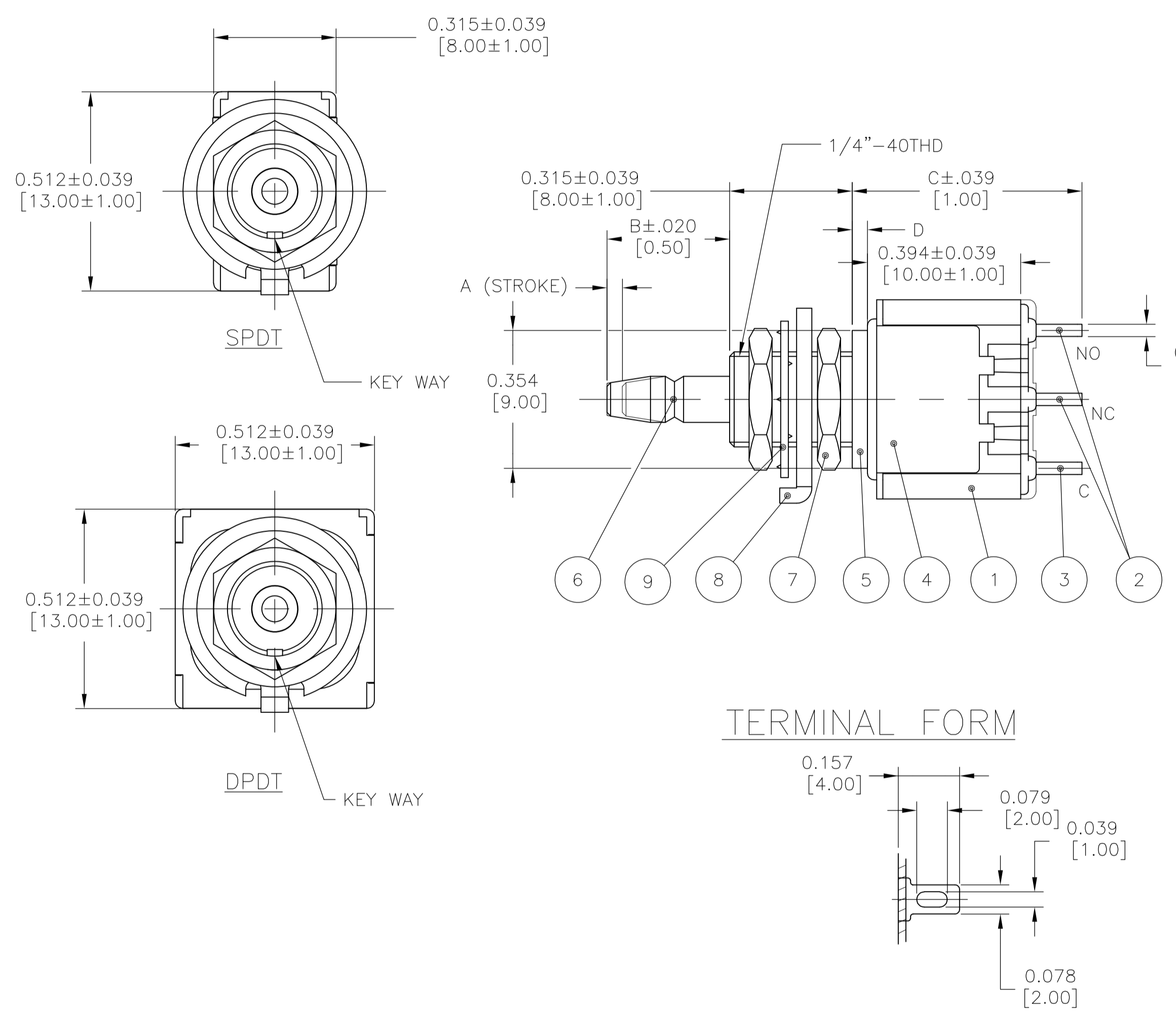


	OPERATING FORCE	DIMENSION				PART NUMBER	TYPE	MARK		ALCO	ACTUATED
		A	B	C	D			MARK:A	MARK:B		
ON-ON		.098 [2.5]	.331 [8.4]	.650 [16.5]	.098 [2.5]	1977737-1 MPS1004D	SPDT	MPS1004D ALCO	DC 60mA 30V ON ON C	3-2	3-1
MOMENTARY ON-(ON)		.039 [1]	.315 [8]	.591 [15]	.039 [1]	1977737-2 MPS1004F		MPS1004F ALCO	DC 60mA 30V NO NC C		(3)-(1)
ON-ON		.098 [2.5]	.331 [8.4]	.650 [16.5]	.098 [2.5]	1977737-3 MPS2004N	DPDT	MPS2004N ALCO	DC 60mA 30V ON ON C	3-2 6-5	3-1 6-4
MOMENTARY ON-(ON)		.039 [1]	.315 [8]	.591 [15]	.039 [1]	1977737-4 MPS2004R		MPS2004R ALCO	DC 60mA 30V NO NC C		

NOTE: TERMINALS 4,5,6 ARE FOUND ONLY ON DP VERSIONS (-3, -4)



SPECIFICATIONS:

- RATING: MIN, 1µa 20mV DC, MAX, 60mA 30V DC (RESISTIVE LOAD)
- INITIAL CONTACT RESISTANCE: 20mΩ MAX. AT 5mA 0.2V AC.
- INITIAL INSULATION RESISTANCE: 1,000MΩ MIN. AT 500V DC.(BETWEEN TERMINALS AND TERMINAL-GROUND)
- INITIAL DIELECTRIC STRENGTH: 1,000V AC FOR 1 MINUTE.(BETWEEN TERMINALS AND TERMINAL-GROUND)
- DURABILITY: 50,000 CYCLES

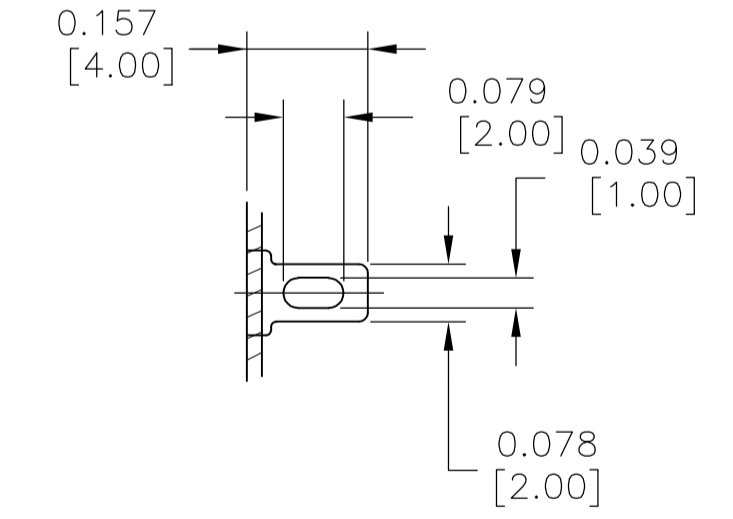
OPERATING FORCE:

- 3.92±1.96N (400±200gf)
- 4.9±2.94N (500±300gf)
- 2.94±0.98N (300±100gf)
- 4.9±1.96N (500±200gf)

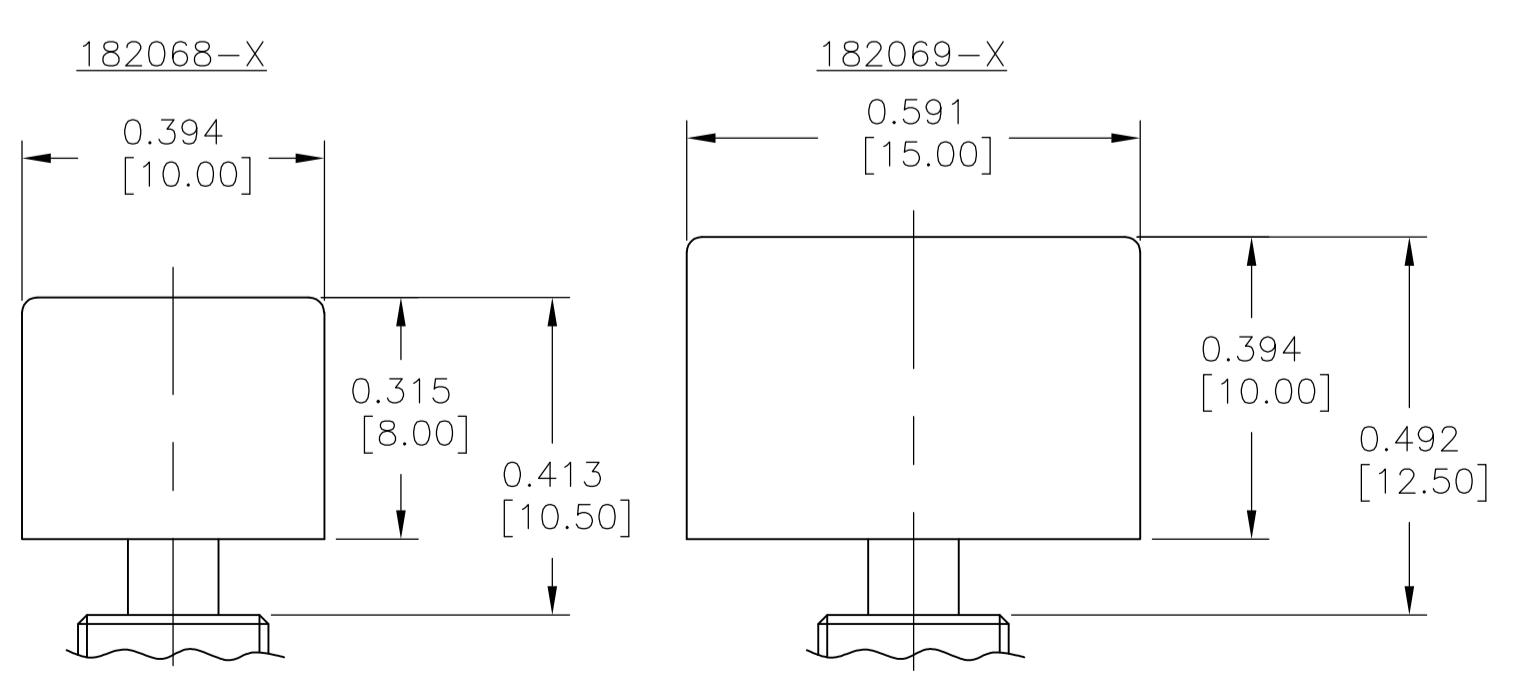
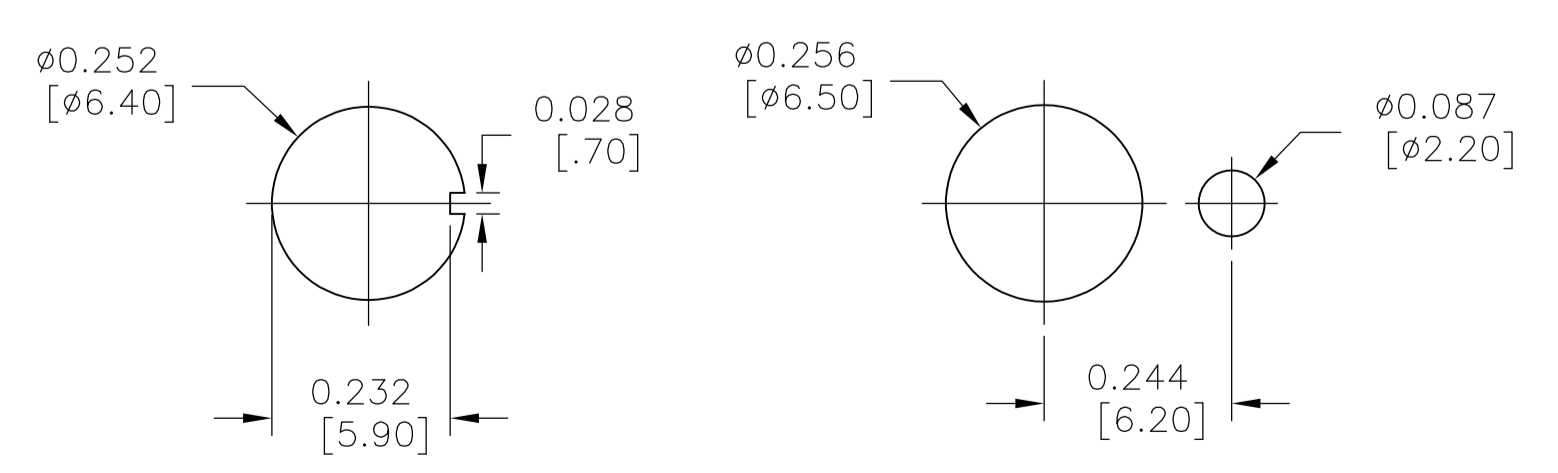
- 10 OPERATING TEMP: -20 ~ +85°C
- STORAGE TEMP: -40 ~ +85°C

11 ALL MATERIALS AND FINISHES SHALL COMPLY WITH EU DIRECTIVE 2002/95/EC OF 27JAN2003 (ROHS)

TERMINAL FORM



PANEL CUT-OUTS (REF)



BUTTON CAP
SOLD SEPARATELY

SEE DRAWINGS 1825068 (ø.394 [10 MM]) &
1825069 (ø.591 [15 MM])
FOR COLOR CHOICES

WITHOUT LOCKING RING
MAXIMUM PANEL THICKNESS:
.118 [3.0mm]

WITH STANDARD LOCKING RING
MAXIMUM PANEL THICKNESS:
.079 [2mm]

A/R	A/R	BLUE	-	EPOXY	10
1	1	ZINC PLATE	CARBON TOOL STEEL	TOOTH WASHER	9
1	1	ZINC PLATE	COLD ROLLED STEEL	LOCATING RING	8
2	2	NICKEL PLATE	BRASS	HEX NUT	7
1	1	NICKEL PLATE	BRASS	PLUNGER	6
1	1	-	BRASS	MOUNTING SLEEVE	5
1	1	-	STAINLESS STEEL	FRAME	4
2	1	GOLD PLATE	BRASS	COMMON TERMINAL	3
4	2	GOLD PLATE	BRASS	FIXED CONTACT	2
1	1	(BLUE)	EPOXY RESIN, UL94V-0	CASE	1
2	1	FINISH (COLOR)	MATERIALS	PARTS	NO

THIS DRAWING IS A CONTROLLED DOCUMENT.

DIMENSIONS: INCHES [MM]	TOLERANCES UNLESS OTHERWISE SPECIFIED:	DWG: RAGHAVENDRA 28JAN11	CHK: EPPLEY NAZ 28JAN11	APVD: EPPLEY NAZ 28JAN11	NAME: EPPLEY NAZ	DATE: 28JAN11	REV: 1
0 PLC ± -	1 PLC ± -	2 PLC ± -	3 PLC ± -	4 PLC ± -	ANGLES ± -	APPLICATION SPEC	RESTRICTED TO
MATERIAL	FINISH	WEIGHT	SCALE: 4:1	SHEET 1 OF 1	REV B1	CUSTOMER DRAWING	

Tyco Electronics Corporation
Harrisburg, PA 17105-3608

MPS SERIES PUSHBUTTON, DRY CIRCUIT
MPS1004 (SPDT) & MPS2004 (DPDT) SERIES
WIRE LUG TERMINATION

SIZE: A1 CAGE CODE: 00779 DRAWING NO: 1977737