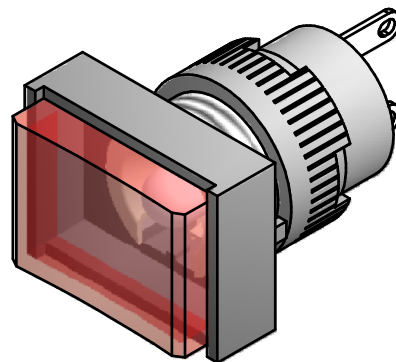
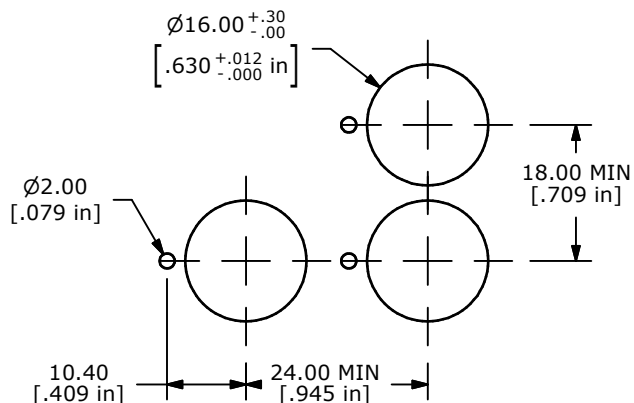
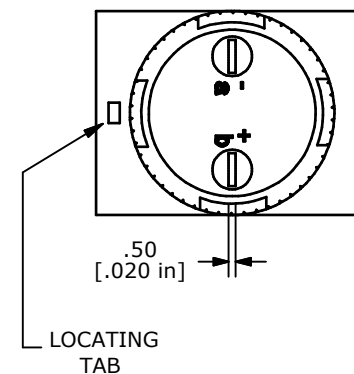
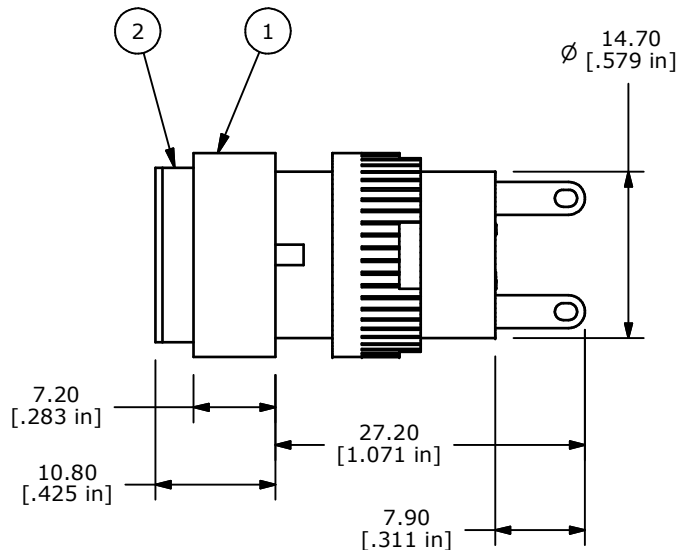
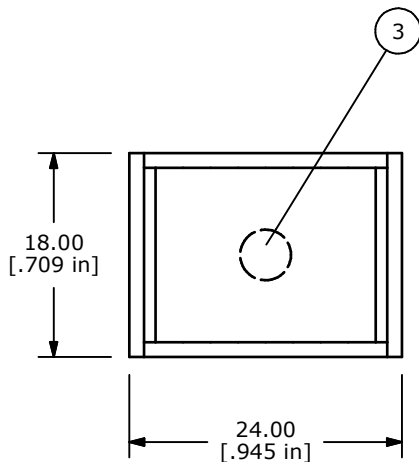
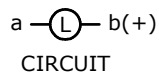


PARTS LIST				
ITEM	QTY	PART NUMBER	DESCRIPTION	
1	1	F040001	L16PLT10	
2	1	F052214	50-002-14 RECTANGULAR FLAT RED LENS	
3	1	F050405	50-004-05 28V, 40mA INCANDESCENT LAMP	



RECOMMENDED PANEL MOUNTING



- NOTE:
- ALL DIMENSIONS IN MM [INCH]
 - GENERAL TOLERANCE: X.X=±0.4
X.XX=±0.25
 - TERMINAL NUMBERS FOR REF ONLY
 - OPERATING TEMP: -25°C to +55°C
 - STORAGE TEMP: -40°C TO +85°C
 - ▲ LAMP VOLTAGE: 28V, 40mA INCANDESCENT
 - ▲ DENOTES CRITICAL PARAMETER.
 - PANEL THICKNESS: 0.5 - 5.0 MM
 - SEAL RATING: IP 40
 - 2002/95/EC (ROHS) COMPLIANT



A	18612	RELEASED FOR PRODUCTION	8/12/09	BLR
REV	PCR NO	DESCRIPTION	DATE	BY

TITLE L16PLT10CRED				
SCALE	DATE	DR	DWG	REV
1.5:1	8/12/2009	BLR	XF0802P	A

THE INFORMATION CONTAINED IN THIS DOCUMENT IS PROPRIETARY TO E-SWITCH AND IS NOT TO BE COPIED OR TRANSFERRED