

**Wireless Module
GPS Module
GYSFFMAXB
Overview**

Dec. 20, 2013 Version 1.0

GPS: MT3339 SMD type Module – GYSFFMAXB

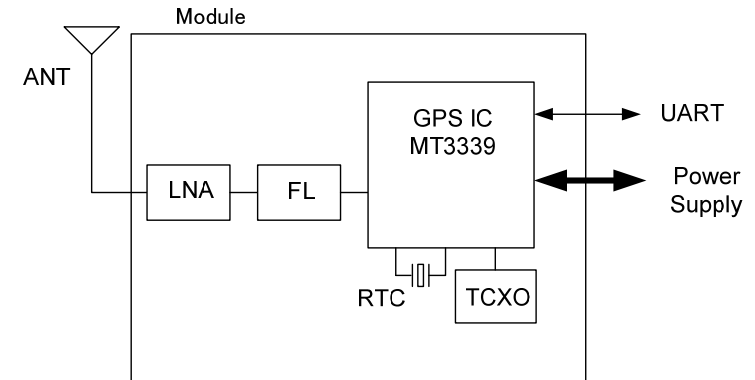
Features

- L1: 1575.42MHz C/A code
- 22tracking/ 66acquisition- channel
- 12multi tone Active Interface Canceller (AIC)
- Support multi GNSS QZSS, SBAS (WAAS/EGNOS/MSAS/GAGAN)
- Always Locate™ Advanced location awareness technology
- EPO™ / Hot Still™ orbit prediction
- EASY™ self-generation orbit prediction
- Logger function support
- Serial interface UART
- Ultra low power consumption
- Build-in SAW Filter, LNA, TCXO, RTC, Shielding case, (without Antenna)
- RoHS Conformity

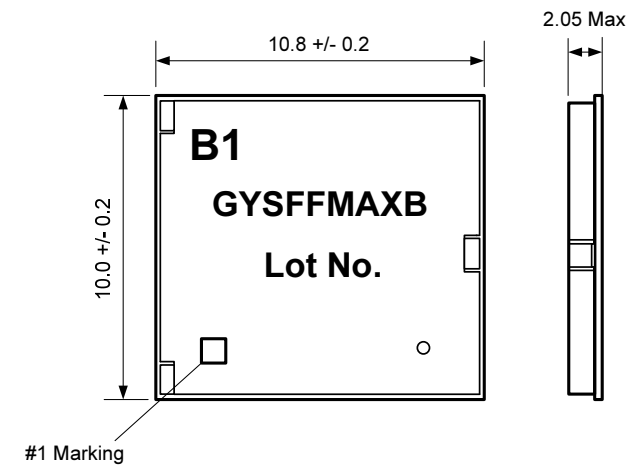
General Electrical Specification

Parameter	Description	Min.	Typ.	Max.	Units
Frequency			1575.42		MHz
Operation Voltage	VDD3V3	3.0	3.3	4.3	V
	VDD3V3_ BACKUP	2.0	3.3	4.3	V
Sensitivity	Hot-start	—	-162	—	dBm
	Cold-start	—	-146	—	dBm
TTFF	Hot-start@ -135dBm	—	1	—	sec
	Cold-start@ -135dBm	—	42	—	sec
Accuracy	@ -135dBm	—	2	—	m
Power consumption	@ acquisition VDD=3.1	—	63	—	mW
	@ Tracking VDD=3.1	—	53	—	mW
General Operation Temperature Range		-30	25	85	deg-C

Block Diagram



Outline



Unit: mm

GKSFFMAXB : GPS Module Evaluation Kit

GKSFFMAXB Kit includes:

1	Evaluation Board (Model_name: GBSFFMAXB)	1 piece
2	DC Power Cable	1 piece
3	CD-R 1, Control tool: Mini GPS (released by Mediatek), 2, USB to controller Driver :CP210xVCP_WIN_XP_S2K3_Vista_7.exe 3, NMEA to KMZ Utility: NMEA2KMZ	1 disc
4	Antenna Board (AH316M15701)	1 piece



TAIYO YUDEN

TAIYO YUDEN